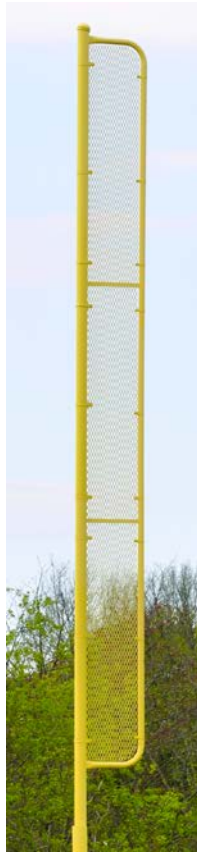




-- BBFP-20 --
(20' PROFESSIONAL FOUL POLE)
Installation Instructions

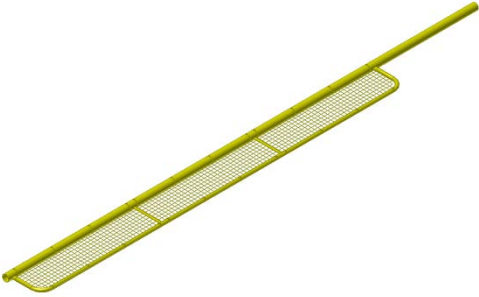






Call Jaypro Sports Equipment at 1-800-243-0533
during regular business hours for technical support.

www.jaypro.com

JAYPRO SPORTS

20' Professional Foul Pole, BBFP-20
 QUANTITY IS FOR ONE COMPLETE FOUL POLE

ITEM	QTY	IMAGE	DESCRIPTION
1	1		FOUL POLE ASSEMBLY WITH PRE-ASSEMBLE SCREEN PANELS
2	1		YELLOW POWDER COATED CAP
3	1		#12-14 SELF-DRILLING SCREW, ZP
4	1		1/2"-13 x 6" LONG THREADED ROD
5	2		1/2"-13 FLANGE NUT, ZP
ITEM	QTY	IMAGE	DESCRIPTION

IMPORTANT NOTICE:

- 1) BEFORE EACH USE CHECK EQUIPMENT FOR PROPER CONNECTING HARDWARE AND STRUCTURAL INTEGRITY. REPLACE DAMAGED OR MISSING HARDWARE IMMEDIATELY.
- 2) USE OF THIS EQUIPMENT OTHER THAN INTENDED, MAY BE HAZARDOUS.
- 3) ALTERATION OR MODIFICATION OF THIS EQUIPMENT MAY BE HAZARDOUS AND RESULT IN INJURY. FOR REPAIR OR REPLACEMENT, CONTACT YOUR DEALER OR JAYPRO SPORTS.

ASSEMBLY INSTRUCTIONS

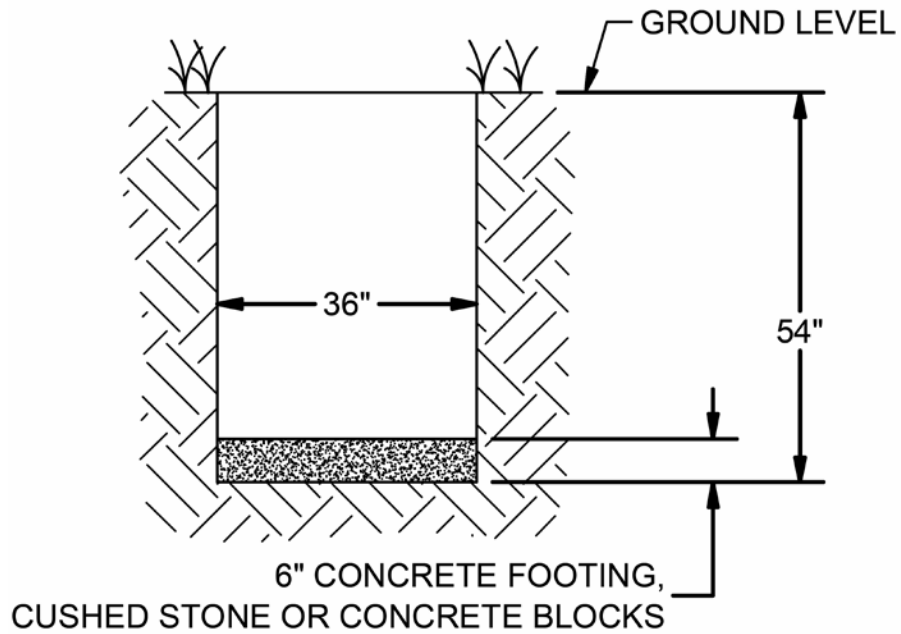
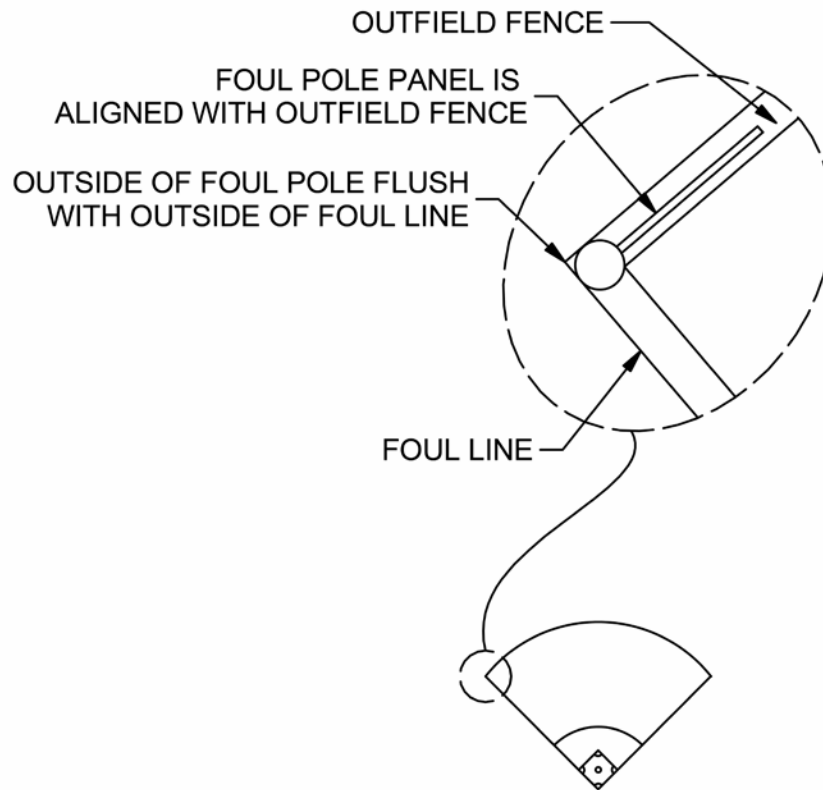
TOOLS REQUIRED:

- (1) 3/4" x 36" Long Re-Bar (*Consult with local building code*)
- (1) 3/4" Socket Wrench and Box Wrench
- (1) Rubber Mallet
- (1) Lifting Device (*i.e. Crane*)
- (1) Concrete
- (1) Leveling Device

- Unpack all parts and check against parts list to ensure that all have been included.
- Inspect all parts for damage. Report any damages to the trucking company.

Site Prep:

1. Determine the proper location of foul poles as shown in figure 1 on the playing field that is clear of debris or obstruction. Dig the footing holes to the dimensions as shown on the illustration on the next page. **These are suggested dimensions for average soil conditions, consult local building codes.**
2. Pour 6" concrete footing and allow fully curing, or use two concrete blocks or crushed stone, to rest foul pole on.



Foul Pole Assembly:

1. Install the yellow powder coated cap on top of foul pole with #12-14 self-drilling screw.
2. Install one anti-rotation rod into the bottom side of the lower foul pole. By inserting it into the pre-drilled hole with 1/2" flange nuts back to back as shown in the illustration below.
3. Pour concrete into the footing and reinforce with six 3/4" x 36" long rebar (*consult local building code. Rebar not included, to be provided by installer*) evenly space around the spot for the lower foul pole.
4. Using a lifting device (*crane*) place the foul pole into the footing and fully support it in a plumbed position.
5. Slope the top of the footing for drainage if desired. Wait for concrete to fully cure (approx. 48 hours).

