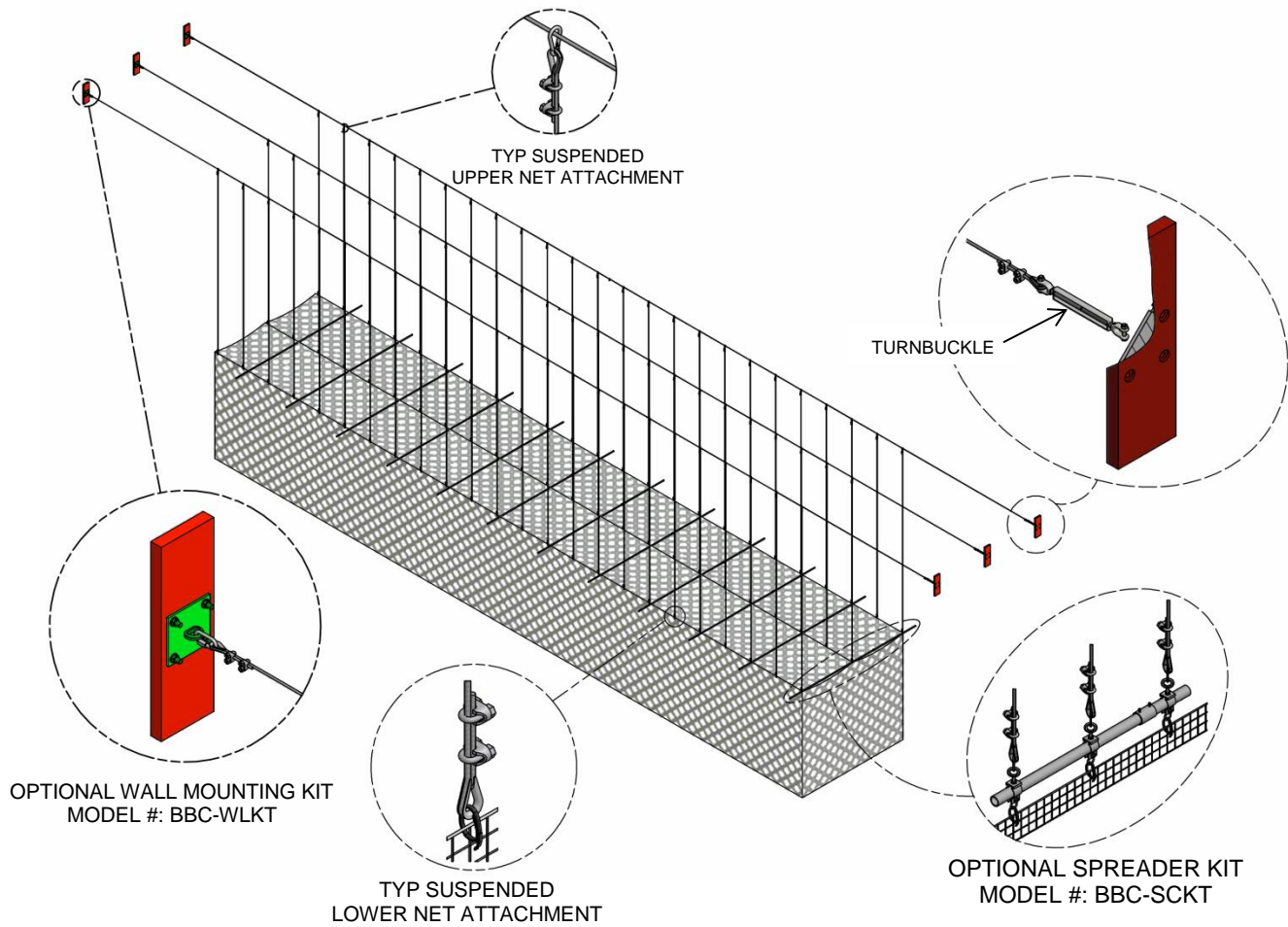


**--- BBC-SPDKT--**  
**(Cable Suspended Tunnel kit)**

**Installation Instructions**



Call Jaypro Sports Equipment at 1-800-243-0533 during regular business hours for technical support.

[www.jaypro.com](http://www.jaypro.com)

**JAYPRO SPORTS**  
**BBC-SPDKT, INDOOR CABLE SUSPENDED BATTING TUNNEL KIT**

**IMPORTANT NOTICE:**

- 1) DO NOT SET CAGE OR NET TOO CLOSE TO WALLS, COLUMNS, CEILINGS OR ANY SOLID OBJECT WHERE BALLS CAN STRIKE AND BOUND BACK. CAGE OR NET SHOULD BE AT LEAST 4 FEET FROM ALL BYSTANDERS, CEILINGS, WALLS OR SOLID OBJECTS.
- 2) SPECTATORS MUST NOT STAND IN BACK OR NEAR SIDES OF CAGE OR NET WHILE BEING USED FOR BATTING PRACTICE.
- 3) ALTERATION OR MODIFICATION OF THIS EQUIPMENT MAY BE HAZARDOUS AND RESULT IN INJURY. FOR REPAIR OR REPLACEMENT, CONTACT YOUR DEALER OR JAYPRO SPORTS.
- 4) CAUTION: DO NOT OVER TIGHT THE CABLES, AS EXTREME LOADING WILL BE PLACED ON THE WALL OR END STRUCTURE.

**PRODUCT DESCRIPTION:**

The *BBC-SPDKT*, cable suspended batting tunnel kit is designed to attach to your existing building structure, whether steel I-beam columns or reinforced (blocked) studded walls. 9/16” holes will need to be drilled for the 1/2” eyebolts. If attaching to standard CMU block or concrete filled walls it is recommended that a wood stringer wall mounting kit be used (model number *BBC-WLKT*), which can be purchased separately. This kit includes six (6) attractive polyurethane finished 24” long, 2” x 8” stringers and mounting plates that are easy to install and help spread the load across multiple CMU blocks or other wall types.

The height of the suspending cables should be cut to a length of about 12” below the height of the netting itself. This will allow about 12” of netting to lay on the floor to capture the ball.

To maximize the overall width of your cage and overcome the nature sag due to the weight of the net, a reinforcement spreader kit is available (model number *BBC-SCKT*) that will hold the top rigid and maintain the nets width.

## ASSEMBLY INSTRUCTIONS

### TOOLS REQUIRED:

- (1) 7/16" and 5/16" Nut Drivers
- (1) Box Wrench Set
- (1) Electric drill w/ Phillips head
- (1) Bolt Cutters

- Unpack all parts and check against parts list to ensure that all have been included.
- Inspect all parts for damage. Report any damages to the trucking company.

| <b>ITEM</b> | <b>DESCRIPTION</b>                            | <b>BBC-SPDKT</b> |
|-------------|---|------------------|
| 1           | 1/4" GALVANIZED AIRCRAFT CABLE x 100 FT       | 3                |
| 2           | 1/2" x 6" STEEL EYEBOLTS, ZP                  | 6                |
| 3           | 1/2" x 12" GALV. STEEL TURNBUCKLE, JAW TO JAW | 3                |
| 4           | 3/8" QUICK LINK                               | 3                |
| 5           | 1/4" THIMBLES                                 | 6                |
| 6           | 1/4" CABLE CLAMPS                             | 12               |
| 7           | 1/4" x 2 3/8" SNAP HOOK                       | 72               |
| 8           | 1/2"-13 HEX NUT                               | 6                |
| 9           | 1/2" FLAT WASHER                              | 12               |
| 10          | 1/2" ID SPLIT LOCK WASHER                     | 6                |
| 11          | 1/8" GALVANIZED AIRCRAFT CABLE x 1500 FT      | 1                |
| 12          | 1/8" THIMBLES                                 | 144              |
| 13          | 1/8" CABLE CLAMPS                             | 288              |
| 14          | PLASTIC WIRE TIES - HEAVY DUTY                | 72               |
|             |   | <b>QTY</b>       |

- 1) Make up one end of each of the three cables, as shown in Figure 1. Tighten the cable clamps using a 7/16" nut driver.

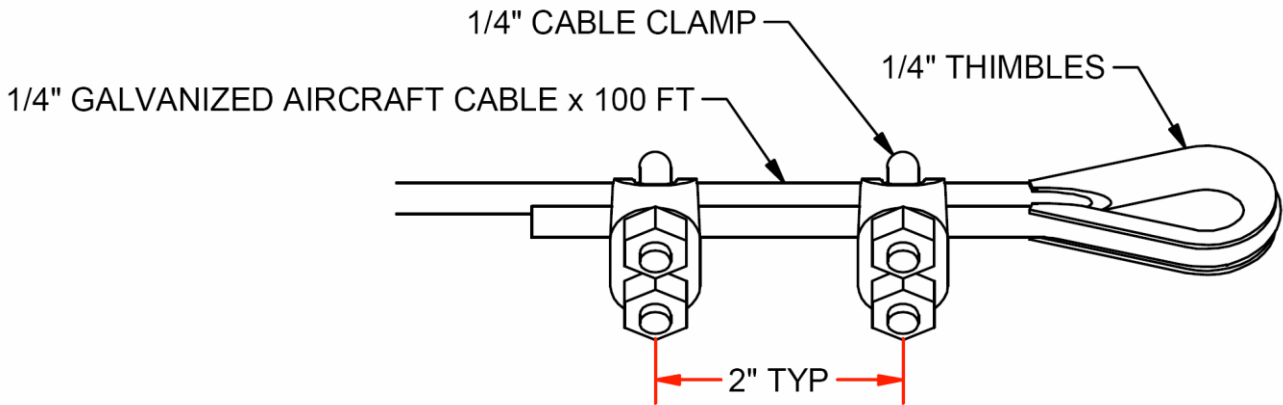
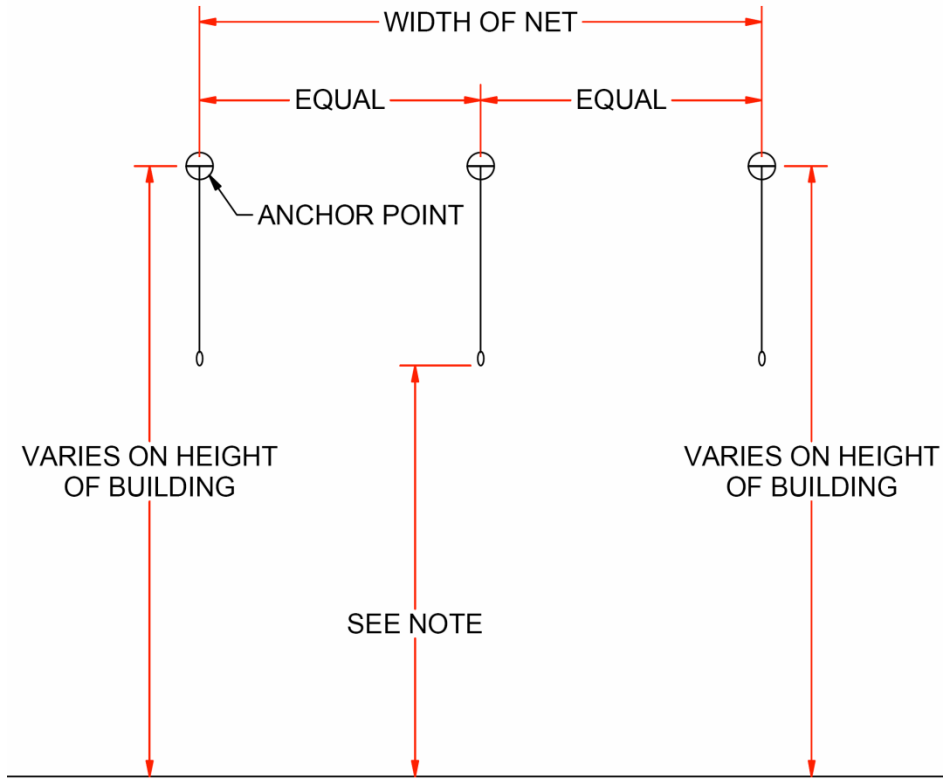


Figure 1: Assemble End Loops

- 2) Make up the other end of each cable leaving the cable clamps hand tight, as the overall length may need to be adjusted.
- 3) Mark the location of the cable anchor as shown in the diagram below.



Anchor Point Locations On Building Wall (Both Ends)

**Note: The height of the suspending cables should be set at about 12" below the height of the net. This will place about 12" of net on the floor to capture the balls.**

- 4) Attach the fixed ends of the three cables to the building structure, as shown. 9/16" holes will need to be drilled to accommodate the 1/2" eyebolts. Note if optional wall mounting kit (BBC-WLKT) is purchased; please see installation instructions that come with it.

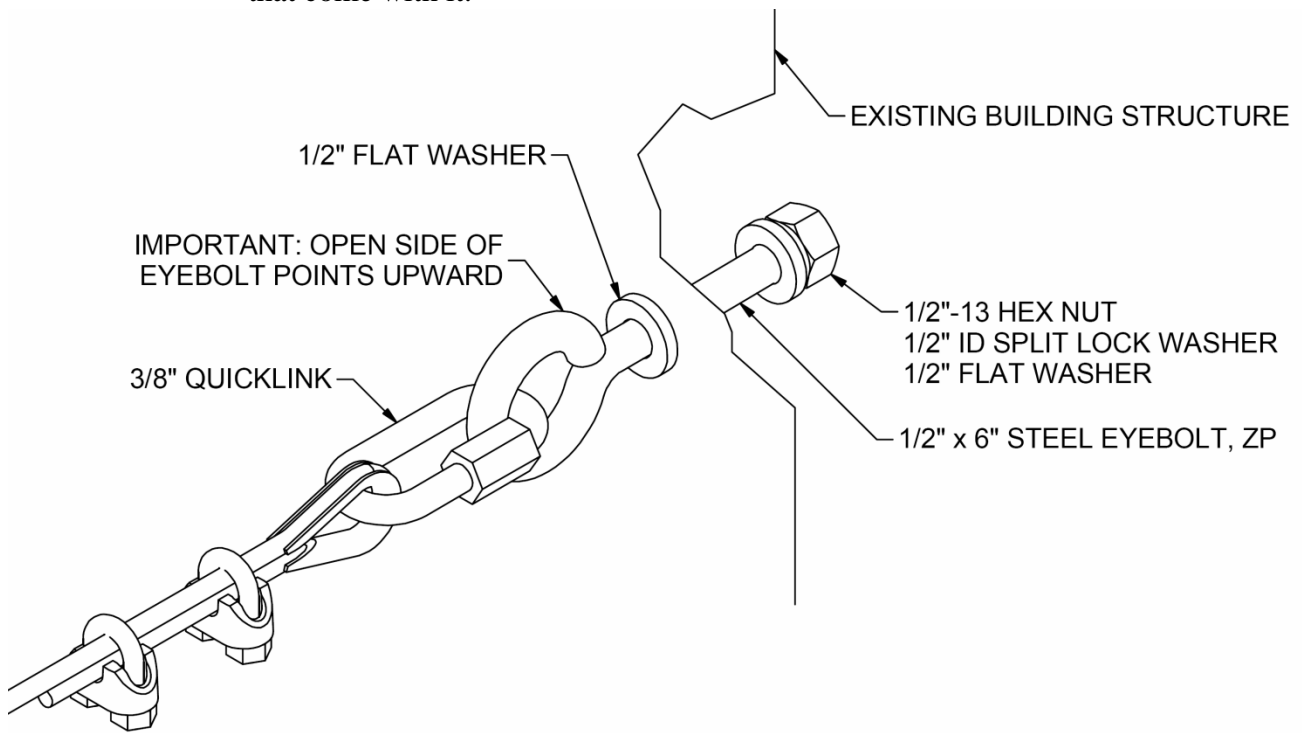


Figure 2: Standard Building Attachment

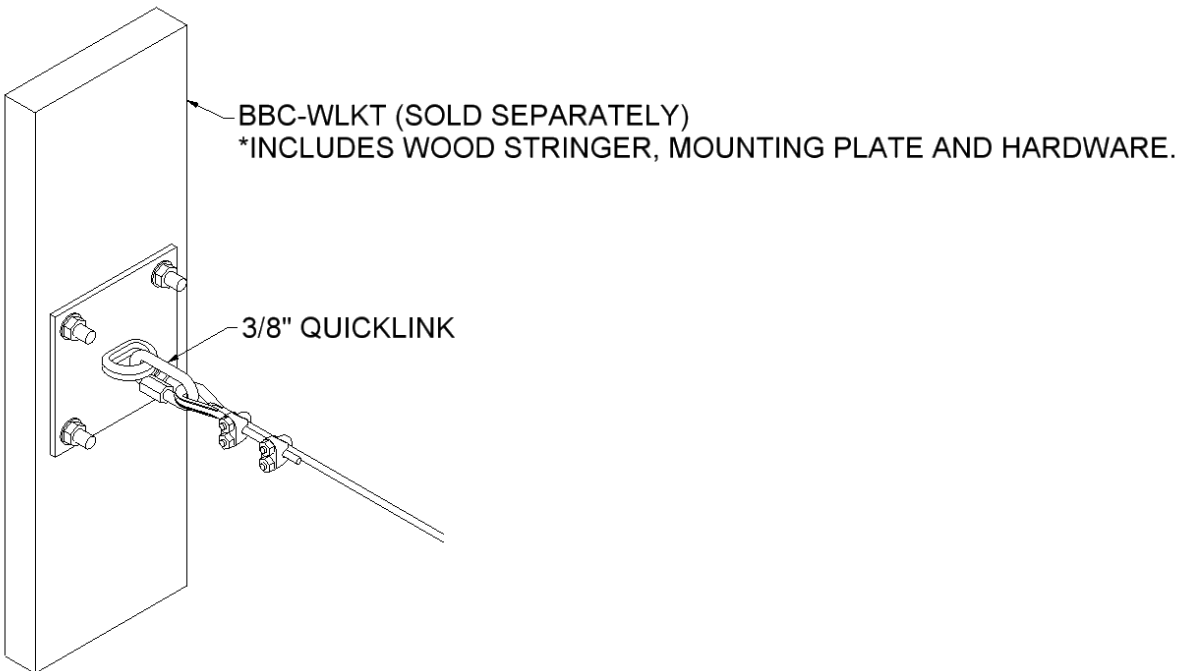


Figure 3: Optional Wall Mounting Kit

- 5) Attach the adjustment end of the three cables to the building structure as shown. Extend the turnbuckles to their maximum length for each cable. Loosen the two cable clamps and remove as much slack from the cable as possible. Tighten the cable clamps using a 7/16" nut driver. Using the turnbuckles tighten each cable. Cut any excess cable using a bolt cutter.

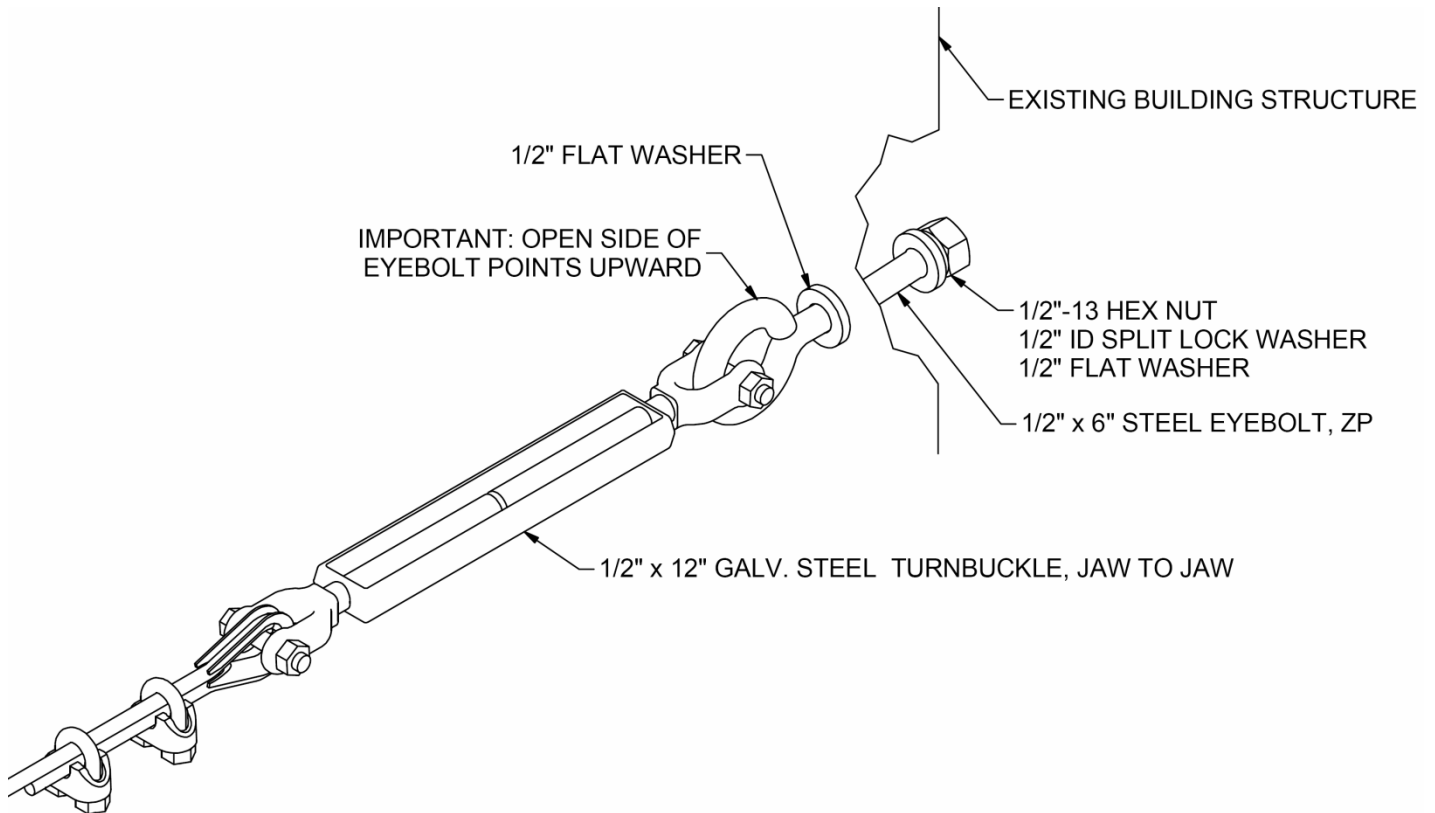


Figure 4: Standard Building Attachment On Adjustment End

Adjust the cables using the 1/2" x 12" turnbuckles as needed to minimize sag.

**Caution: Over tightening the cables may result in damage to the wall or support structures.**

- 6) Make up the 72, 1/8" suspending cables, as shown in Figure 5. The overall length (from thimble to thimble) is determined by taking the height of the support cables and subtracting 12" less than the height of the net. Example: If the support cables are at 20 ft above the floor and the net is 12 ft high, make the suspending cables 9 ft long (20 ft minus 11 ft). (see step 3). Tighten the cable clamps using a 5/16" nut driver.

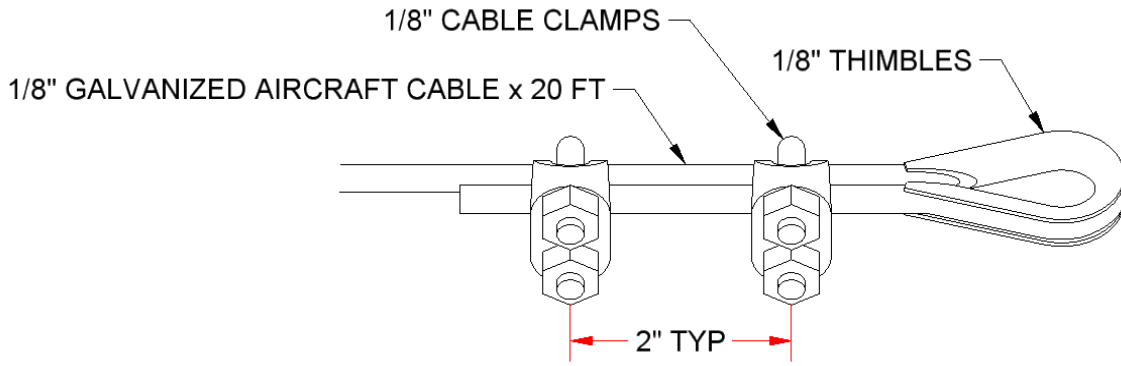


Figure 5: Assemble Suspended End Loops

- 7) Attach one end of each suspending cable to one of the support cables using the 1/4" x 2 3/8" snap hook. There will be 24 suspending cable on each support cable.

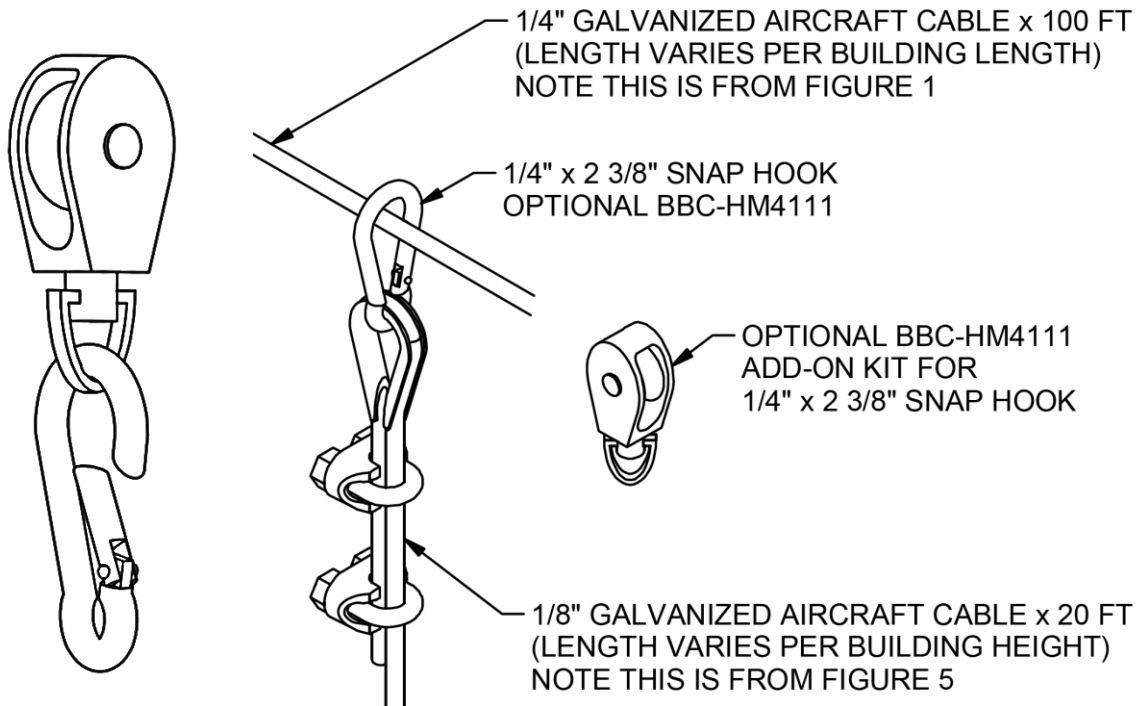


Figure 6: Attaching 1/8" Suspended End Loops To Support Cable

- 8) Roll out net under the suspended cables, spreading it out flat. Center the net between the end cables.

- 9) Skip this step if spreader kit was purchased. Attach the net to the suspending cables using the plastic wire ties place every 36". Place the plastic wire ties on the three binding cords along the outer edge and mid line. Note optional plastic snap clips (BBC-RP4084) replaces wire ties for easy removal and replacement of net.

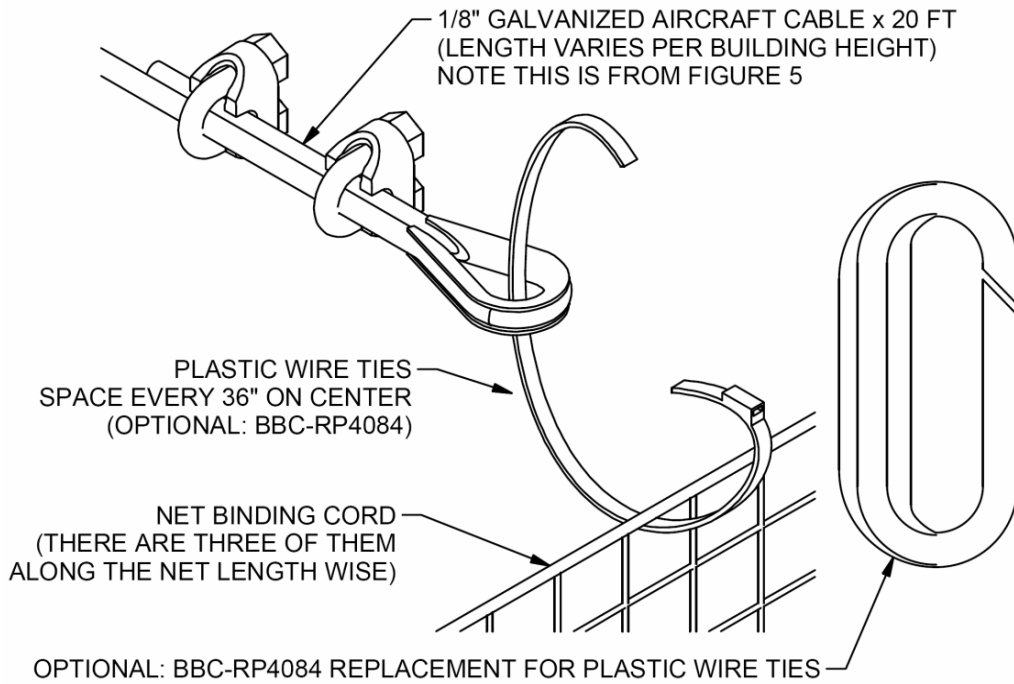


Figure 7: Attach Net To 1/8" Suspended End Loops

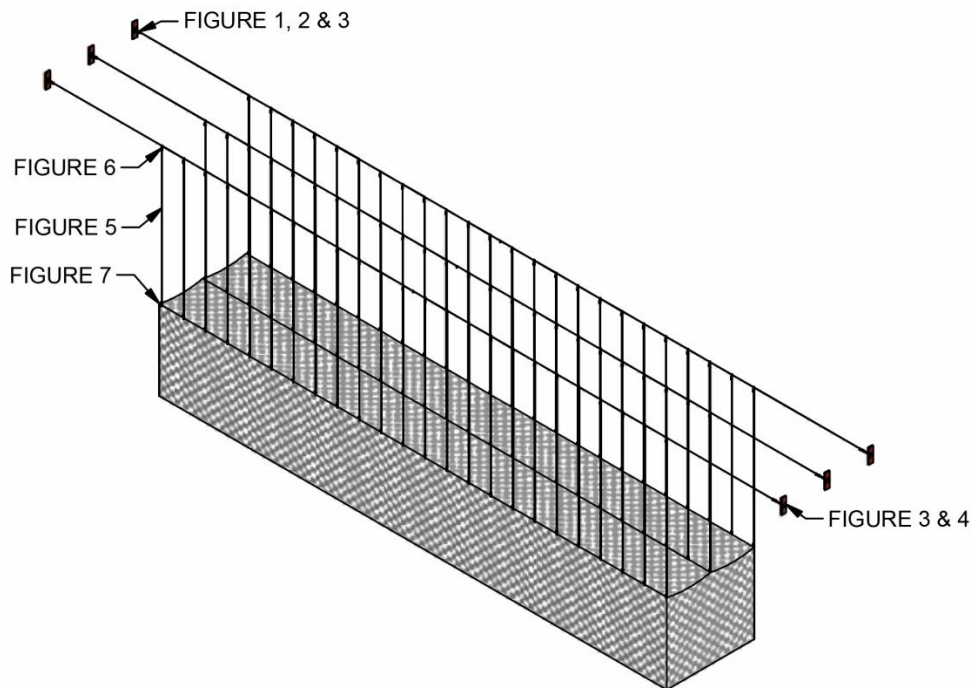
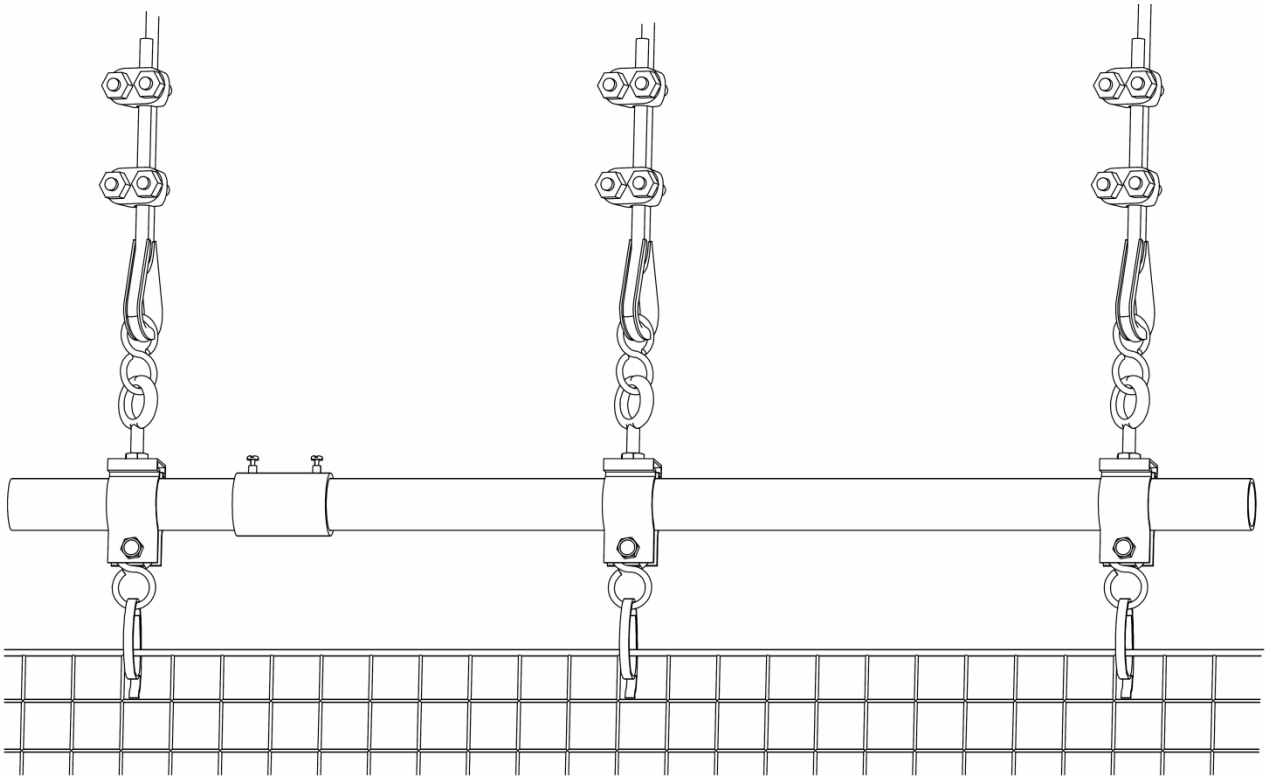


Figure 8: Quick Reference View



**--- BBC-SCKT--**  
**Cable Spreader Tube kit**

**(IF PURCHASED)**



**JAYPRO SPORTS**  
**BBC-SCKT, CABLE SPREADER KIT**

**PRODUCT DESCRIPTION:**

The *BBC-SCKT*, cable spreader kit is designed to hold the top of the net rigid and maintain its width. The spreader tubes are to be spaced approximately every 6 ft.

ASSEMBLY INSTRUCTIONS

**TOOLS REQUIRED:**

- 5/16" Nut Driver
- Box Wrench Set
- Heavy Jaw Pliers
- Screwdriver Set

- Unpack all parts and check against parts list to ensure that all have been included.
- Inspect all parts for damage. Report any damages to the trucking company.

| ITEM | DESCRIPTION                               | BBC-SCKT |
|------|---|----------|
| 1    | 3/4" EMT CONDUIT PIPE - 10 FT             | 12       |
| 2    | 3/4" EMT CONDUIT PIPE - 5 FT              | 12       |
| 3    | 1/4"-20 x 2" EYE BOLT,ZP                  | 36       |
| 4    | 1/4"-20 NYLON LOCK HEX NUT, ZP            | 36       |
| 5    | 1/8" x 3/4" S-HOOK #43, ZP                | 72       |
| 6    | CONDUIT PIPE CLAMP WITH 1/4" BOLT AND NUT | 36       |
| 7    | PLASTIC WIRE TIES - HEAVY DUTY            | 36       |
| 8    | 3/4" DIE CAST SET SCREW COUPLING          | 12       |
|      |   | QTY      |

1. Attach the 5 FT on to the 10 FT conduit pipe, as shown in Figure 9.

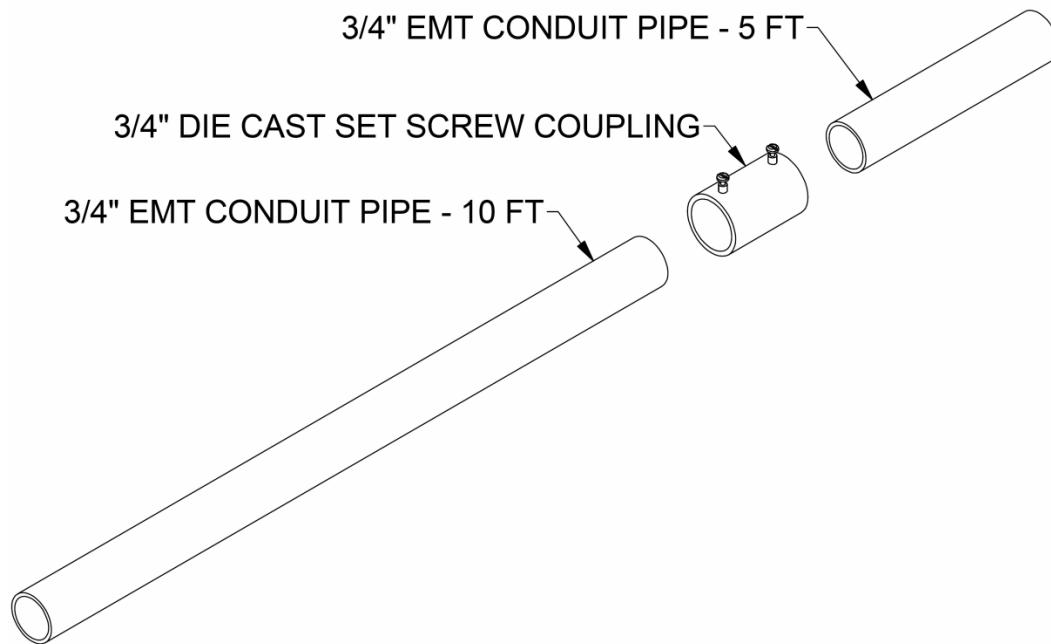


Figure 9: Assemble Pipe

2. Assemble the pipe clamps, as shown in Figure 10. Securely tighten the jam nut on the eyebolt. Close off one end of the S-Hook and place it on the hanger clamp screw. Slide the clamps onto the conduit pipe, maintaining the same spacing as the support cables. Tighten the screws holding the clamps in place.

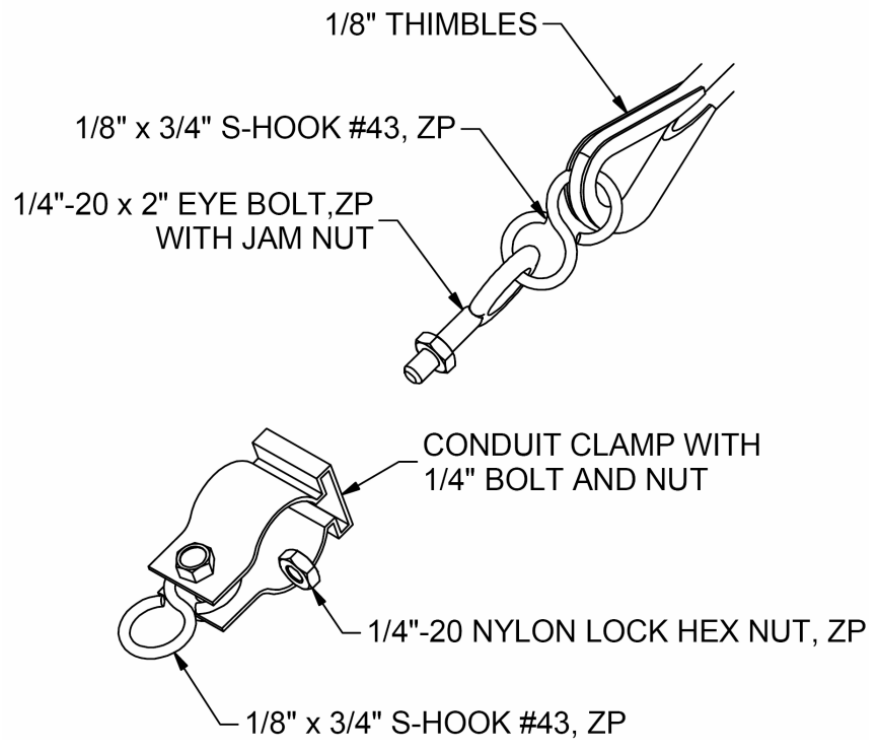


Figure 10: Assemble Clamp Fittings

3. Attach the first spreader tube to the 3 end suspending cables using S-hooks as shown.
4. Starting from the end of the net, space the spreader tubes every 6 feet. Attach the net onto the S-Hook attached to the bottom of the hanger, as shown in Figure 11. Tighten the plastic wire ties all the way.
5. The spacing of the pipe clamps should be adjusted to maintain the natural spacing on the cables above.
6. Securely close all S-hooks.

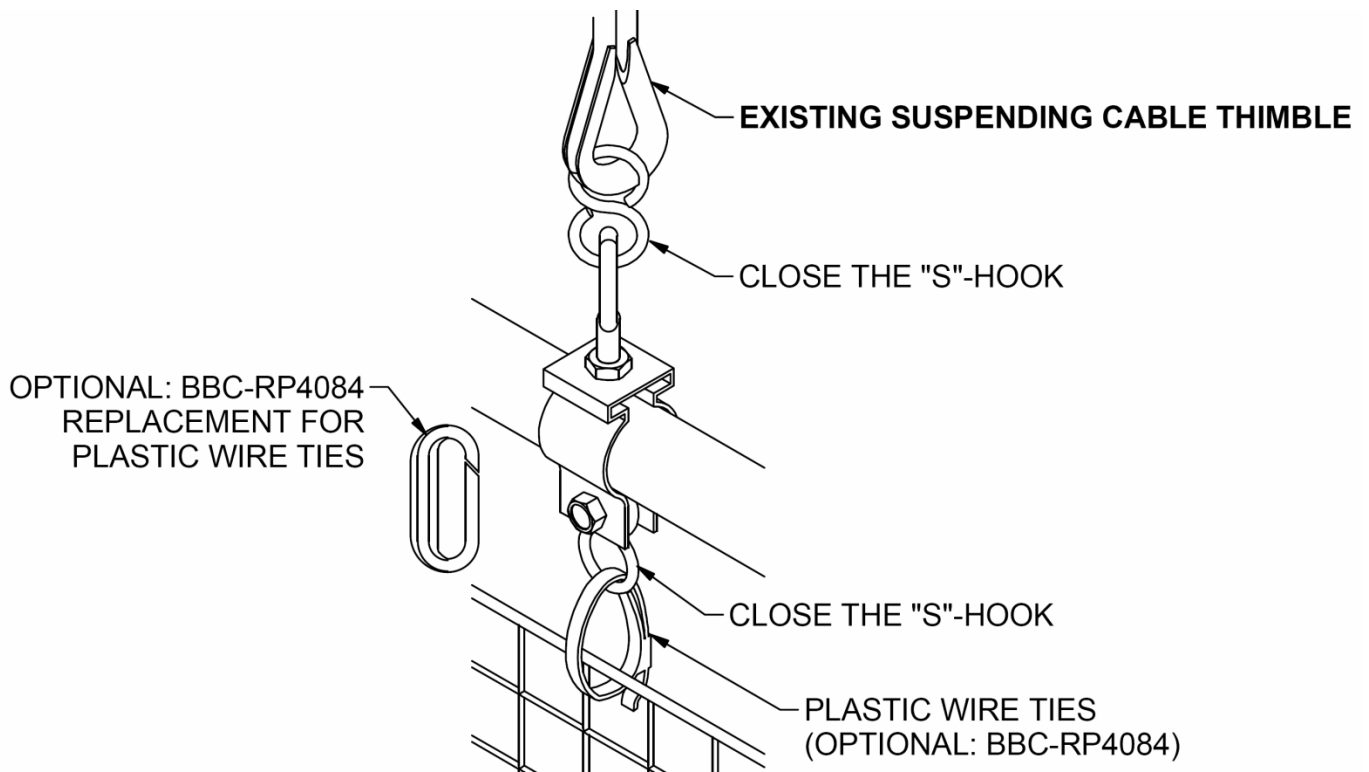
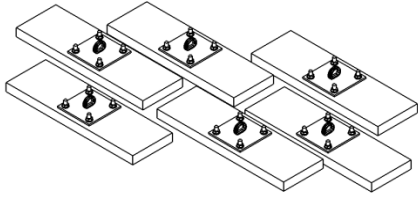
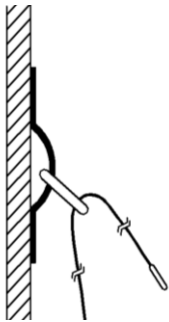


Figure 11: Assemble Spreader On Net Every 6 FT

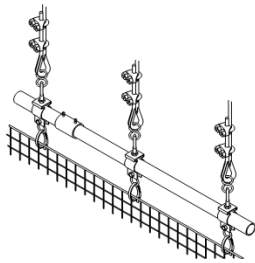
**OPTIONAL KITS AND HARDWARE:**



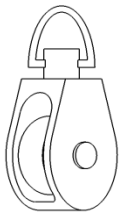
MODEL #: BBC-WLKT  
WALL MOUNTING KIT: (QTY: 6) Wood stringers and mounting plates for attaching to CMU block and concrete walls.



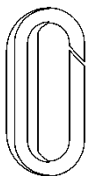
MODEL #: WDTB-180  
TIE - BACK KIT: Wall mounted 1" strap with buckle for tying back net against the wall. (sold in pairs)



MODEL #: BBC-SCKT  
CABLE SPREADER TUBE KIT: (QTY: 12) 3/4" conduit tube and associated hardware for maintaining the maximum net width.



MODEL #: BBC-HM4111  
1" SWIVEL PULLEY FOR 1/4" CABLE: (QTY: 75)  
Rollers, swivel pulleys for improved sliding on the cable to use when net is frequently taken in and out of storage.



MODEL #: BBC-RP4084  
PLASTIC SNAP CLIP: (QTY: 75) HDPE molded plastic snap clips. Replaces wire ties for easy removal and replacement of net.