



--- BLFSW ---
(BIG LEAGUE FUNGO SCREEN W/ WING)
Installation Instructions



Call Jaypro Sports Equipment at 1-800-243-0533
during regular business hours for technical support.

www.jaypro.com

JAYPRO SPORTS

BLFSW, 8' x 8' & 4' x 8' BIG LEAGUE TRI-FOLD SCREENS

IMPORTANT NOTICE:

- 1) BEFORE EACH USE CHECK EQUIPMENT FOR PROPER CONNECTING HARDWARE AND STRUCTURAL INTEGRITY. REPLACE DAMAGED OR MISSING HARDWARE IMMEDIATELY.
- 2) USE OF THIS EQUIPMENT OTHER THAN INTENDED, MAY BE HAZARDOUS.
- 3) ALTERATION OR MODIFICATION OF THIS EQUIPMENT MAY BE HAZARDOUS AND RESULT IN INJURY. FOR REPAIR OR REPLACEMENT, CONTACT YOUR DEALER OR JAYPRO SPORTS.

ASSEMBLY INSTRUCTIONS

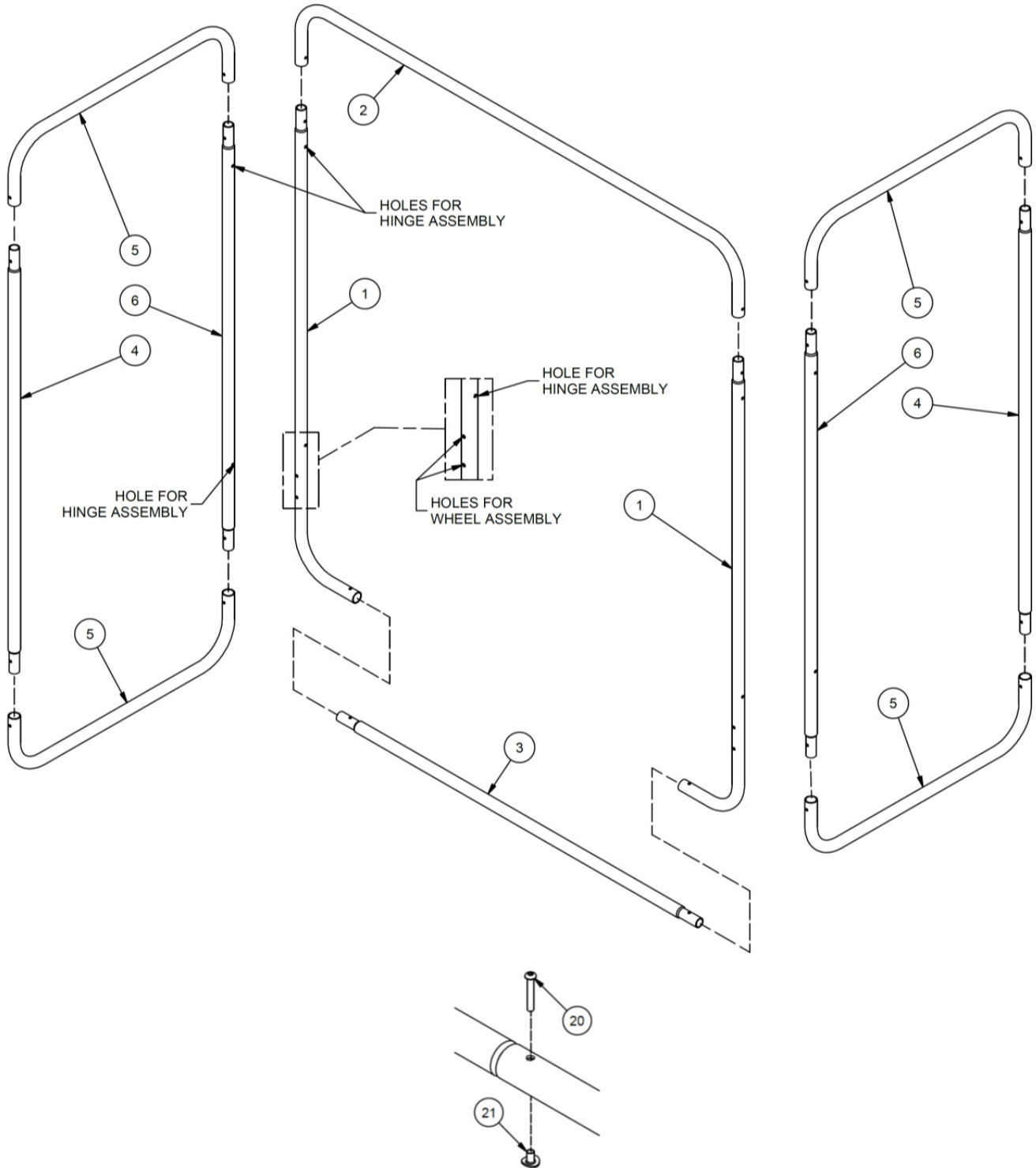
TOOLS REQUIRED:

- (1) 7/8" Socket Wrench and Box Wrench
- (1) 3/16" Allen Wrench
- (1) Rubber Mallet

- Unpack all parts and check against parts list to ensure that all have been included.
- Inspect all parts for damage. Report any damages to the trucking company.

ITEM	QTY	DESCRIPTION
1	2	MAIN UPRIGHT
2	1	MAIN TOP PIPE
3	1	MAIN BOTTOM PIPE x 77 3/8" LONG (2 HOLES)
4	2	SIDE WING UPRIGHT x 79 1/4" LONG (2 HOLES)
5	4	SIDE CROSSBAR
6	2	SIDE WING HINGE UPRIGHT x 79 1/4" LONG (4 HOLES)
7	2	WHEEL FRAME WELDMENT
8	10	5/8" STD FLAT WASHER, ZP
9	2	5/8"-11 THIN NYLON LOCK NUT, ZP
10	2	WHEEL 10" x 4" NO FLAT TIRE
11	2	5/8"-11 x 4" HEX HD BOLT, ZP
12	2	5/8"-11 HEX JAM NUT, ZP
13	8	3/8"-16 x 3 1/2" ROD ENDS
14	8	3/8"-16 HEX HD LOCKNUT, ZP
15	4	3/8-16 x 1 3/4 HEX HEAD CAP SCREW ZP
16	32	3/8" SMALL WASHER, SS
17	8	7/16" ID x 1/2" SLEEVE BEARING 11/16" OD, BRONZE
18	16	3/8" FLAT WASHER, ZP
19	8	3/8"-16 THIN NYLON LOCK NUT NTE, ZP
20	12	5/16"-18 x 2" BUTT HD CAP SCREW, SS
21	12	5/16"-18 CURVED FLANGE NUT, SS
22	4	3/8"-16 x 2 3/4" BUTT HD SCREW, SS
23	4	3/8" SAE FLAT WASHER, ZP
24	1	NET - CENTER PANELS (8 FT BY 8 FT)
25	2	NET - SIDE PANELS (4 FT BY 8 FT)
26	1	1/8" CORD (30 FT)

ASSEMBLE THREE FRAMES:



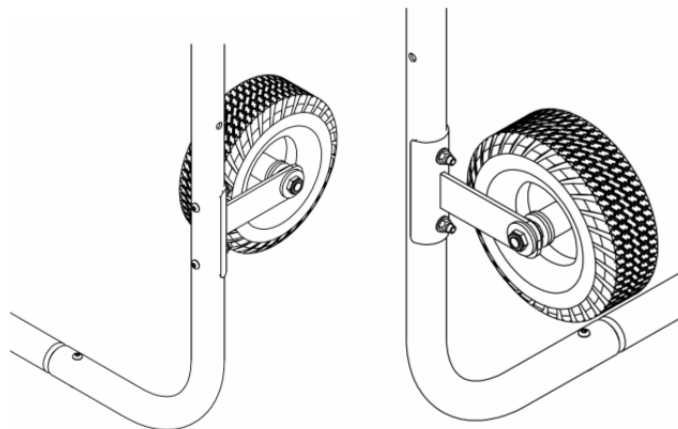
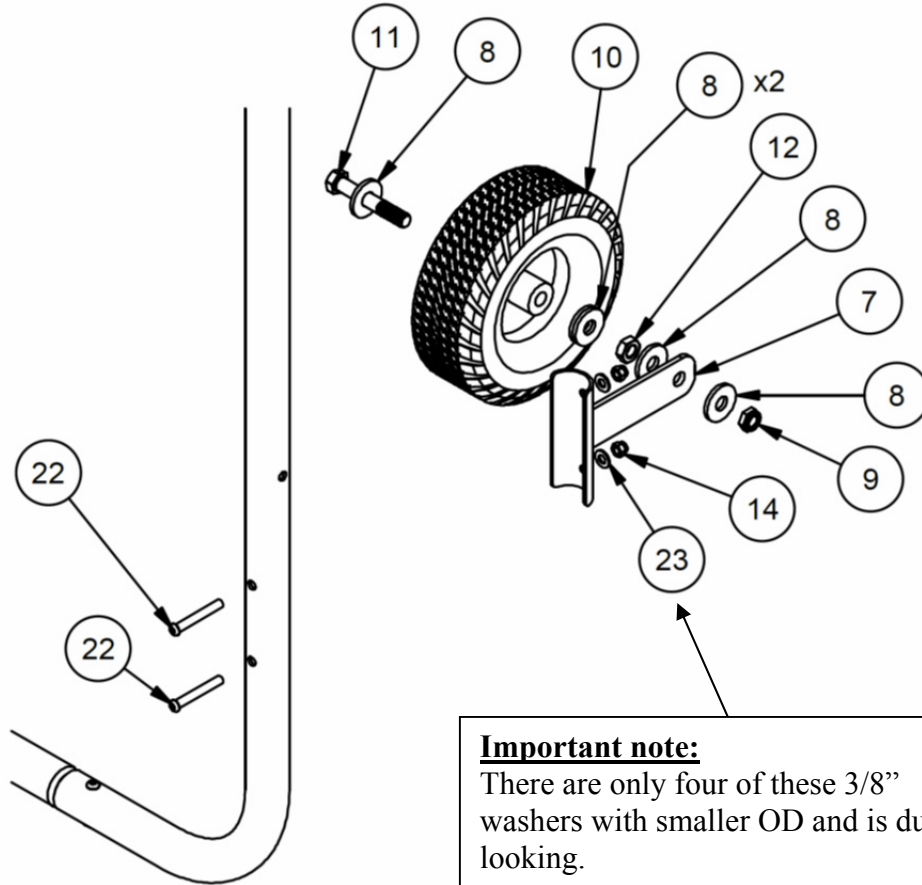
TYPICAL PIPE ASSEMBLY

After this step install net to each frame before moving to next step.

INSTALL NET:

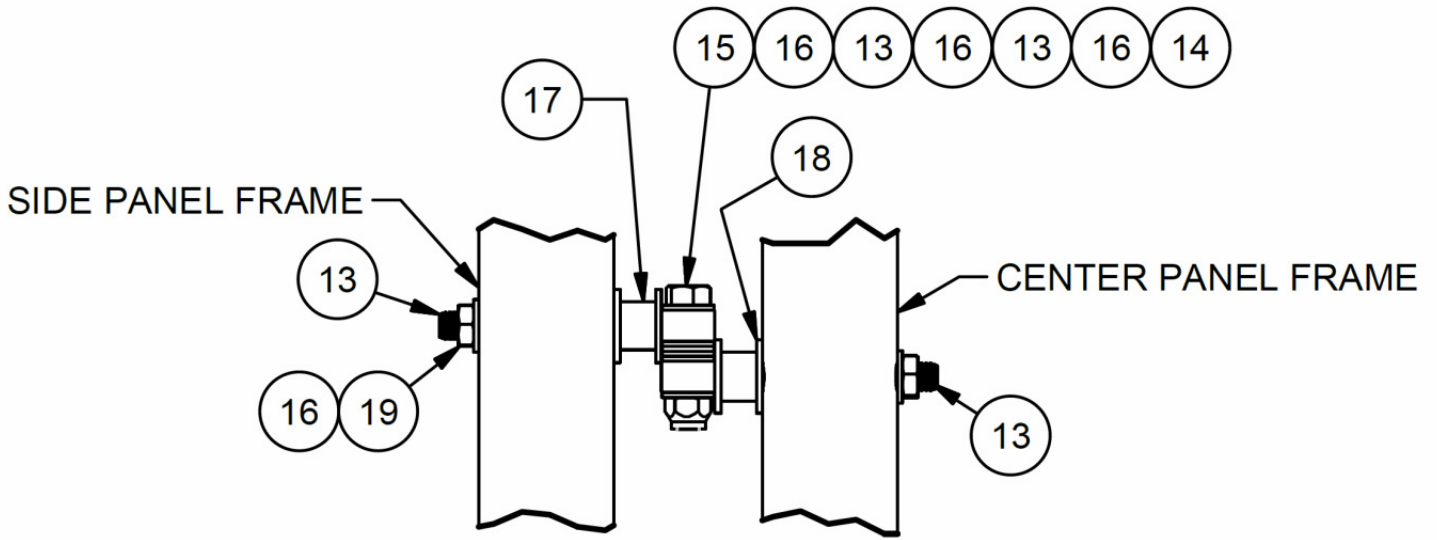
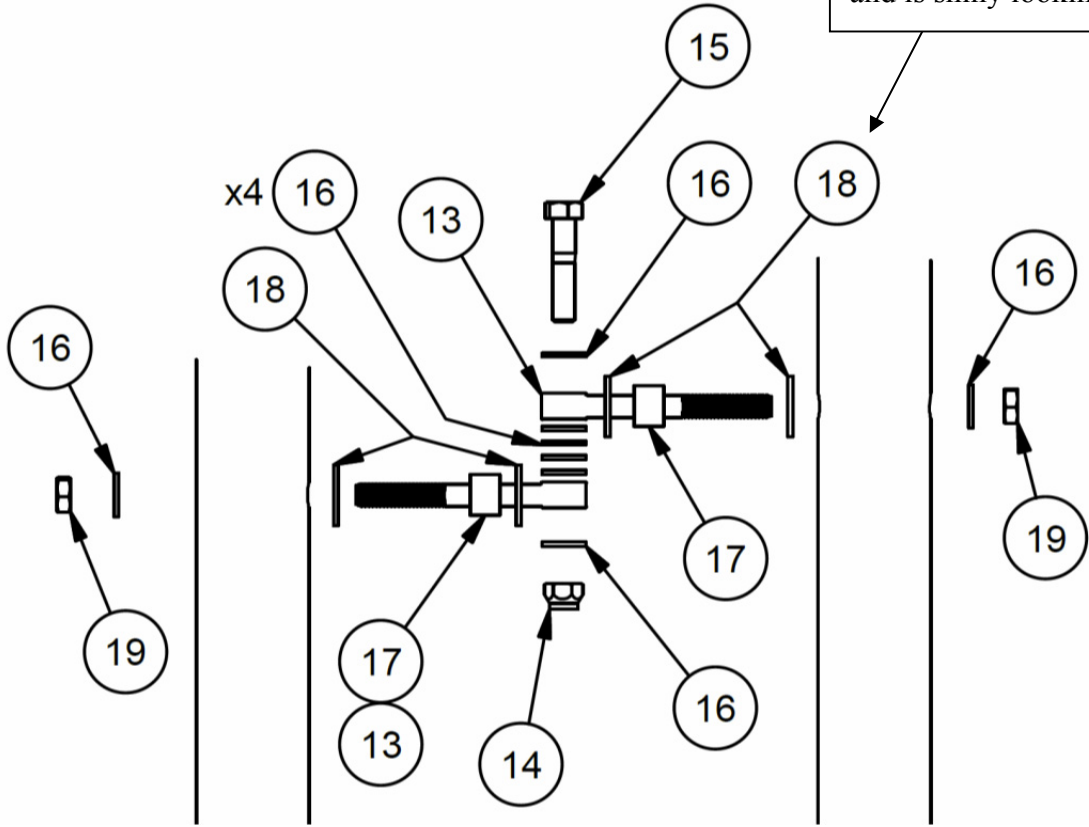
- 1) Install the net on each of the frames by sliding the open end of the net over the top of the frame. Tie closed the bottom opened end of the net using the cord provided.

ASSEMBLE WHEELS:



ASSEMBLE HINGE: (4 PLACES)

Important note:
 There are only sixteen of these 3/8" washers with larger OD and is shiny looking.



TYPICAL HINGE DETAIL
(Very important – helps stability of unit)

- Using at least 2 people, lift the frame onto the vertical position.
- Sand bags are recommended for added support in high wind areas.