



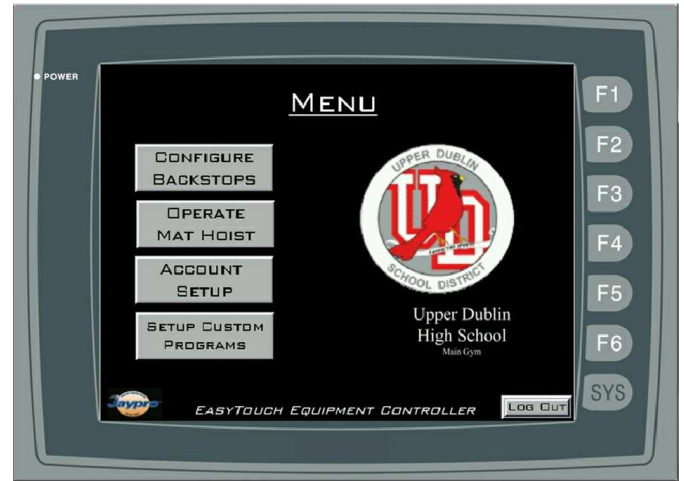
ETEC EASY TOUCH EQUIPMENT CONTROLLER



Jaypro offers the ultimate in gymnasium equipment control. The ETEC Control System allows for multiple electrical gymnasium components to be operated individually or simultaneously. The graphical screens are customized to the facility allowing the operator to easily select those items to operate. No confusing codes to remember. Multi-level password protection offers unsurpassed system security preventing unauthorized use. The ETEC will save numerous hours of gymnasium set-up time.

FEATURES:

- U] ^!æ • Áàæ! • d] • É& |æ} • É!æææ * Á&æ ^ • É!@ã @Á æb • ç! • É!æ} áÁ æ!Q á • É!Q [Á] d [• Áæ ç!æ} Á ~ } q { ^ } dÉ
- Ú! [*!æ { æ!^Á ~ |ç!^ç!^Á& |æ Á æ • [!áÁ! | ç&ç] É
- Ô • d { á^áÁ&^} • Á!æ |æ Áæç æ!^ { Áæ [~ ç!æ áÁ ~ } q { ^ } dÉ
- U] ^!æ Á ~ } q { ^ } ç!æ æ ç!æ ç!æ Á æ! É! Á æ! É! Á æ! Á ~ |ç!^Á^dÉ
- Ç& |æ [Á] [• ç!æ } Á@ã @Á æb • ç! • Áç Á]! ^É^Á!á Á@ã @Á Ç] ç! } æ!æ! ^dÉ
- Óæ ^ Á! Á! [*!æ Á& • d { Á!æ ç! ^ Á!ç! , Á ^ { Á! Á! Á! } á ~! áÁ æ@@Á! ^ • Á - Á! ^ Á! ç! } É
- U] Á&^} Á@] É! • d ~ ç!ç! • É!æ áÁ! ç!æ Á! ^ } q á! • É
- Óæ ç! Á! d [ç! Á ç! ç! ç! Á ^ { } æ á { • É
- Úæ ^ Áç! ^! Á - Á ~ } q { ^ } ç! ^ dÉ] Á! ^ É



The ETEC offers state-of-the-art high resolution color LCD touchscreens, available in three sizes, 6", 8", or 10.4". The ETEC is mounted in an enclosure behind a polycarbonate window to provide protection to the screens. The enclosure may be recessed within the wall or surface-mounted to easily retrofit the system into existing facilities. Enclosure size is 16-1/4" W x 12-3/8" H x 7-5/8" D with an optional locking door.

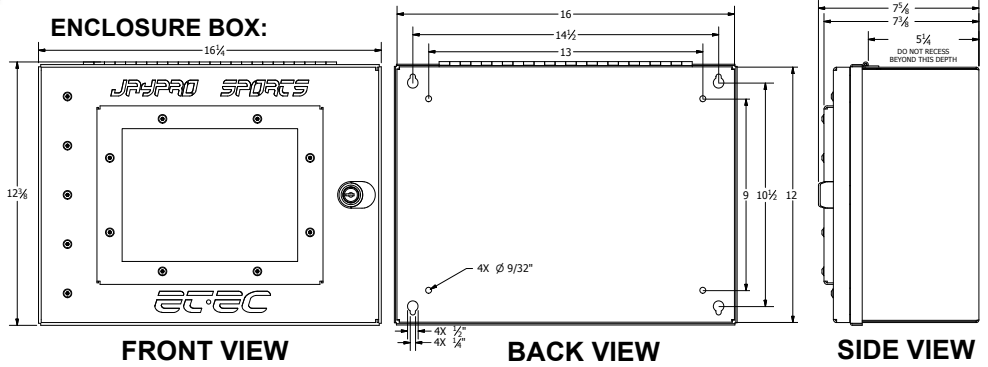
PROJECT NAME _____

PROJECT NUMBER _____

ARCHITECT _____

CONTRACTOR _____

NOTES _____



ETEC
 EASY TOUCH EQUIPMENT CONTROLLER
 © COPYRIGHT 2014 JAYPRO SPORTS, LLC. ALL RIGHTS RESERVED
 THIS PRINT IS THE PROPERTY OF JAYPRO SPORTS, LLC. AND MAY NOT BE REPRODUCED WITHOUT WRITTEN PERMISSION

www.jaypro.com
 (800) 243-0533
 976 Hartford Turnpike
 Waterford, CT 06385 USA
 Sheet 1 of 3



SPECIFICATION SHEET

CONTROL SYSTEM

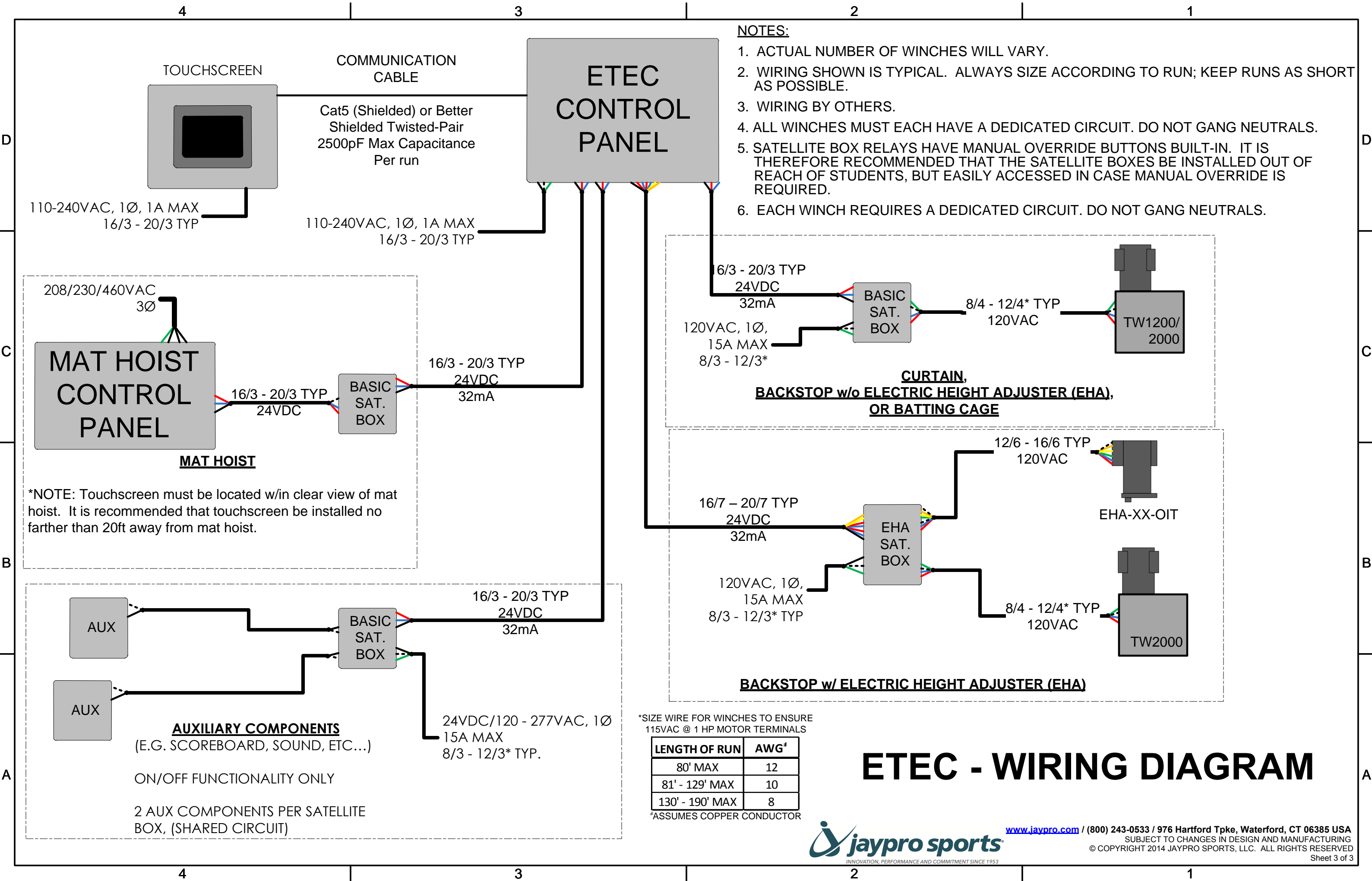
- a. Allows individual or simultaneous operation of multiple motorized components (number of components only limited by safety considerations).
 - Maximum number of total components: 64 motors.
 - Momentary up / down control of backstops, height adjusters, curtains and batting cages, for added safety.
 - Allows for on/off latched control of auxiliary items such as scoreboards, projector screens and lights.
- b. Provides for configuration of three user-programmed equipment configurations to recall common configurations for practice or game day.
 - Also provides ALL UP and ALL DOWN backstop configurations.
- c. Offered with 8" or 10" color touchscreen, depicting actual gymnasium layout.
 - Custom-made court configuration screens represent actual layouts.
 - Additional touchscreens are available and recommended for larger facilities.
- d. Provides customized home screens displaying school logo or mascot. Allows for rolling advertising screens.
- e. Shall allow for as many as 10 unique user ID/password combinations for access.
 - Shall provide for two levels of access privileges, 'administrative' (with ability to add/delete user, edit programs, operate all equipment) and 'user' (ability to operate equipment only).
- f. Touchscreen shall be enclosed within vented enclosure.
 - Enclosure shall inhibit physical access to touchscreen by means of key-locked door with ¼" thick protective polycarbonate viewing window.
 - May be installed as recessed or surface-mounted configuration.
- g. Provides context-specific on-screen help.
- h. Touchscreen and control panel to be powered by 115 Volt line voltage with maximum current draw of 2 amps each.

OPTIONS

- a. Provides precision height adjuster control with feedback (If used with Jaypro EHA-xx height adjuster).
 - Allows for presetting of goal heights, and multiple height adjuster operation in any direction.
 - Displays actual goal heights
 - Non Jaypro height adjusters to be operated in normal up / down mode, either singularly or grouped.
- b. 6" touchscreens available for smaller gymnasiums (e.g. 6 backstops + 1 – 3 curtains)
- c. Usage Log: allows time, date, and user ID's of logins in case of misuse.

WARRANTY

The ETEC shall be guaranteed against defects in material and workmanship for a period of one (1) years. Other systems without said warranty will not be approved as equal.



ETEC - WIRING DIAGRAM



www.jaypro.com / (800) 243-0533 / 976 Hartford Tpke, Waterford, CT 06385 USA
 SUBJECT TO CHANGES IN DESIGN AND MANUFACTURING
 © COPYRIGHT 2014 JAYPRO SPORTS, LLC. ALL RIGHTS RESERVED
 Sheet 3 of 3