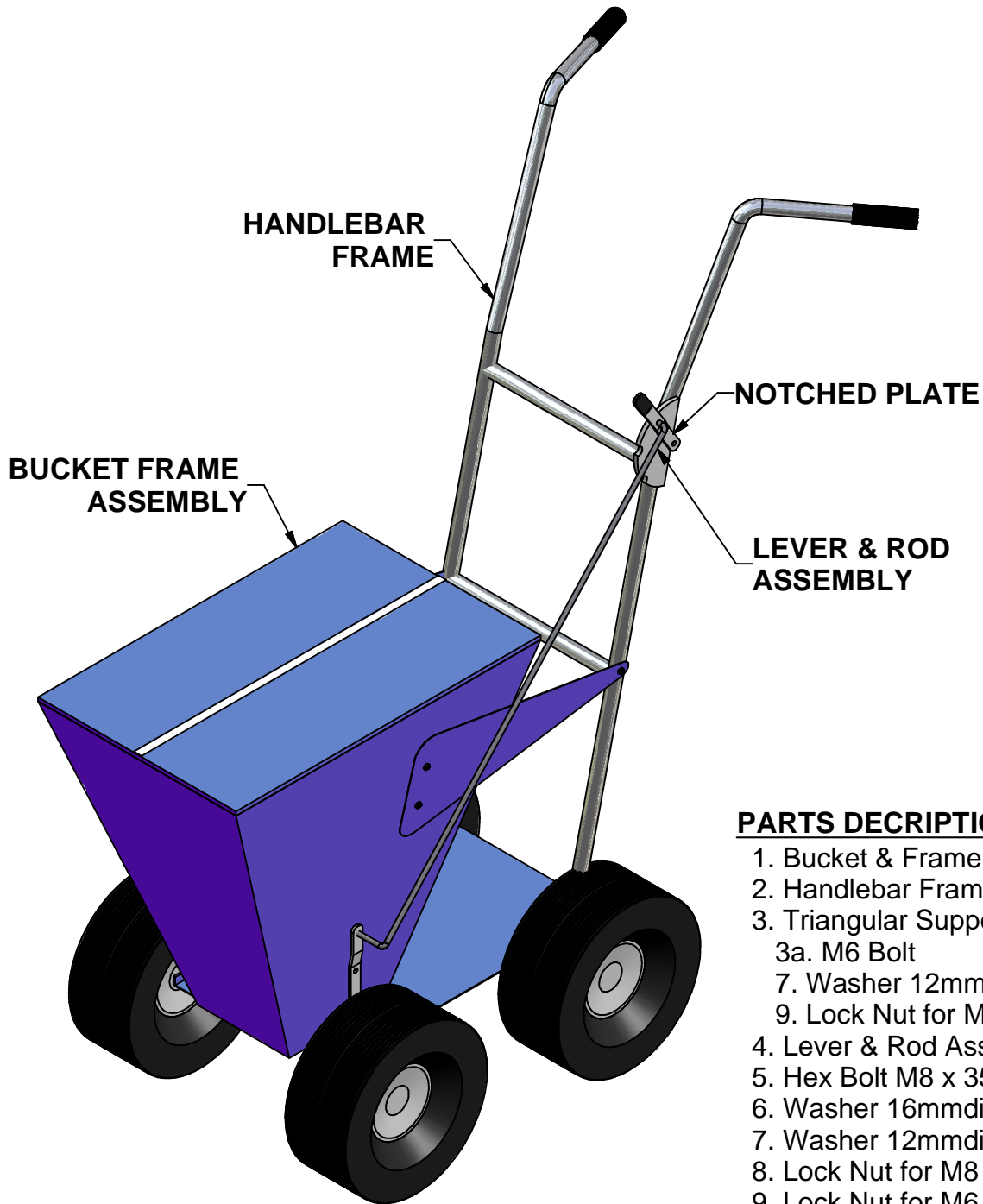


FM-100 HD/50 HD

DRY LINE MARKER



PARTS DECIPTIONS

QTY

- | | |
|-------------------------------|---|
| 1. Bucket & Frame Assembly | 1 |
| 2. Handlebar Frame | 1 |
| 3. Triangular Support | 1 |
| 3a. M6 Bolt | 4 |
| 7. Washer 12mmdia for M6 bolt | 8 |
| 9. Lock Nut for M6 Bolt | 4 |
| 4. Lever & Rod Assembly | 1 |
| 5. Hex Bolt M8 x 35mm | 4 |
| 6. Washer 16mmdia for M8 Bolt | 8 |
| 7. Washer 12mmdia for M6 Bolt | 2 |
| 8. Lock Nut for M8 Bolt | 4 |
| 9. Lock Nut for M6 Bolt | 2 |
| 10. Screw M4 x 10mm | 1 |
| 11. Forelock | 1 |
| 12. Notched Plate | 1 |
| 13. Spring | 1 |

REV.	DESCRIPTION	DATE	BY

COPYRIGHT 2006
JAYPRO SPORTS, LLC.
ALL RIGHTS RESERVED

**FM-100 HD/50 HD
DRY LINE MARKER**

THIS PRINT IS THE PROPERTY OF JAYPRO SPORTS, LLC.
AND MAY NOT BE REPRODUCED WITHOUT WRITTEN PERMISSION

www.jaypro.com



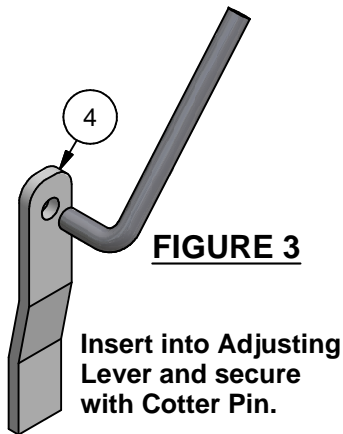
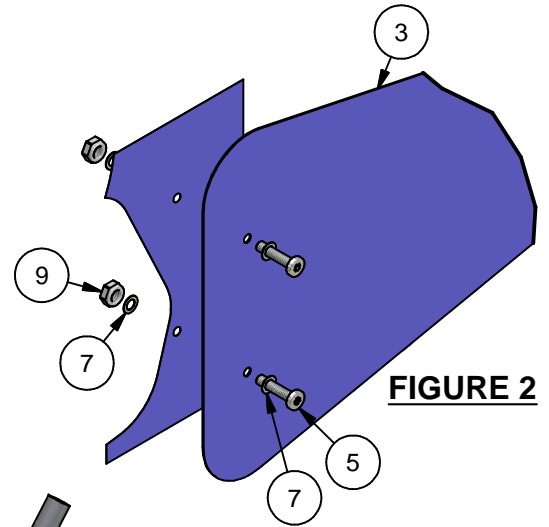
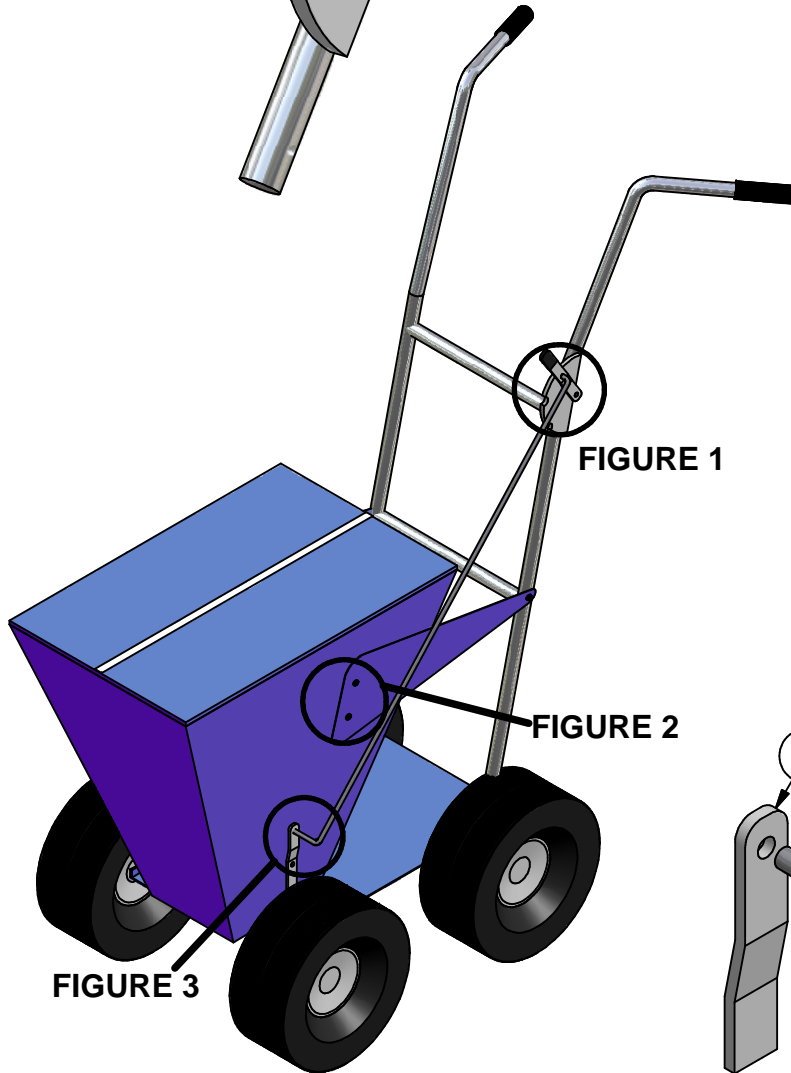
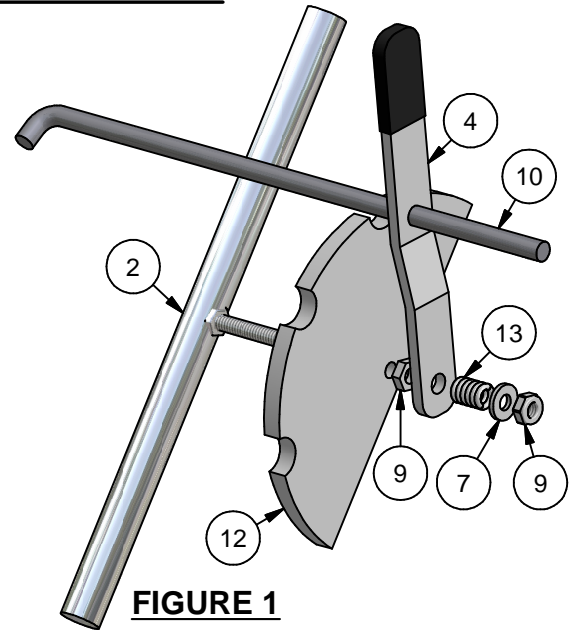
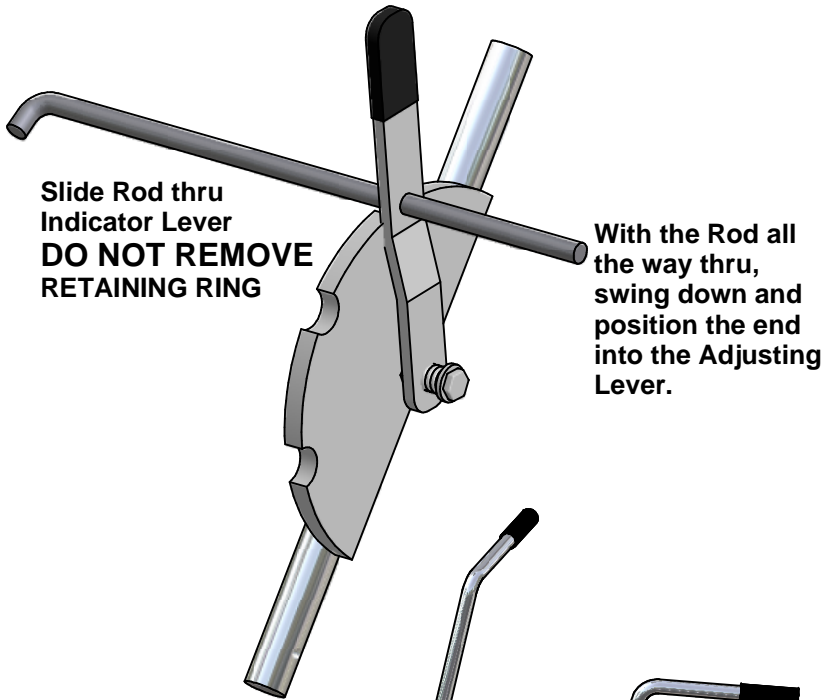
FAX: 800.444.1779 (SALES)
 860.440.0628 (ENG.)

PHONE: 800.243.0533 (TOLL FREE)
 860.447.3001 (LOCAL)

JAYPRO SPORTS, LLC, 976 HARTFORD TURNPIKE, WATERFORD, CT 06385 USA

DRAWING NAME / PART NUMBER: FM-100 HD/50 HD LINE MARKER	
DRAWN BY: DC	ISSUE DATE: 6/12/2006
CHK'D BY: BTS	
SHEET: 1 OF 1	REV. A

FM-100 HD/50 HD DRY LINE MARKER ASSEMBLY



REV.	DESCRIPTION	DATE	BY

FM-100 HD/50 HD DRY LINE MARKER ASSEMBLY

COPYRIGHT 2006
JAYPRO SPORTS, LLC.
ALL RIGHTS RESERVED

THIS PRINT IS THE PROPERTY OF JAYPRO SPORTS, LLC.
AND MAY NOT BE REPRODUCED WITHOUT WRITTEN PERMISSION

www.jaypro.com



FAX:
800.444.1779 (SALES)
860.440.0628 (ENG.)

PHONE:
800.243.0533 (TOLL FREE)
860.447.3001 (LOCAL)

JAYPRO SPORTS, LLC, 976 HARTFORD TURNPIKE, WATERFORD, CT 06385 USA

DRAWING NAME / PART NUMBER:
FM-100/50 DRY LINE MARKER ASSEMBLY

DRAWN BY: DC
ISSUE DATE: 6/12/2006

CHK'D BY: BTS

SHEET: 1 OF 1
REV.: A