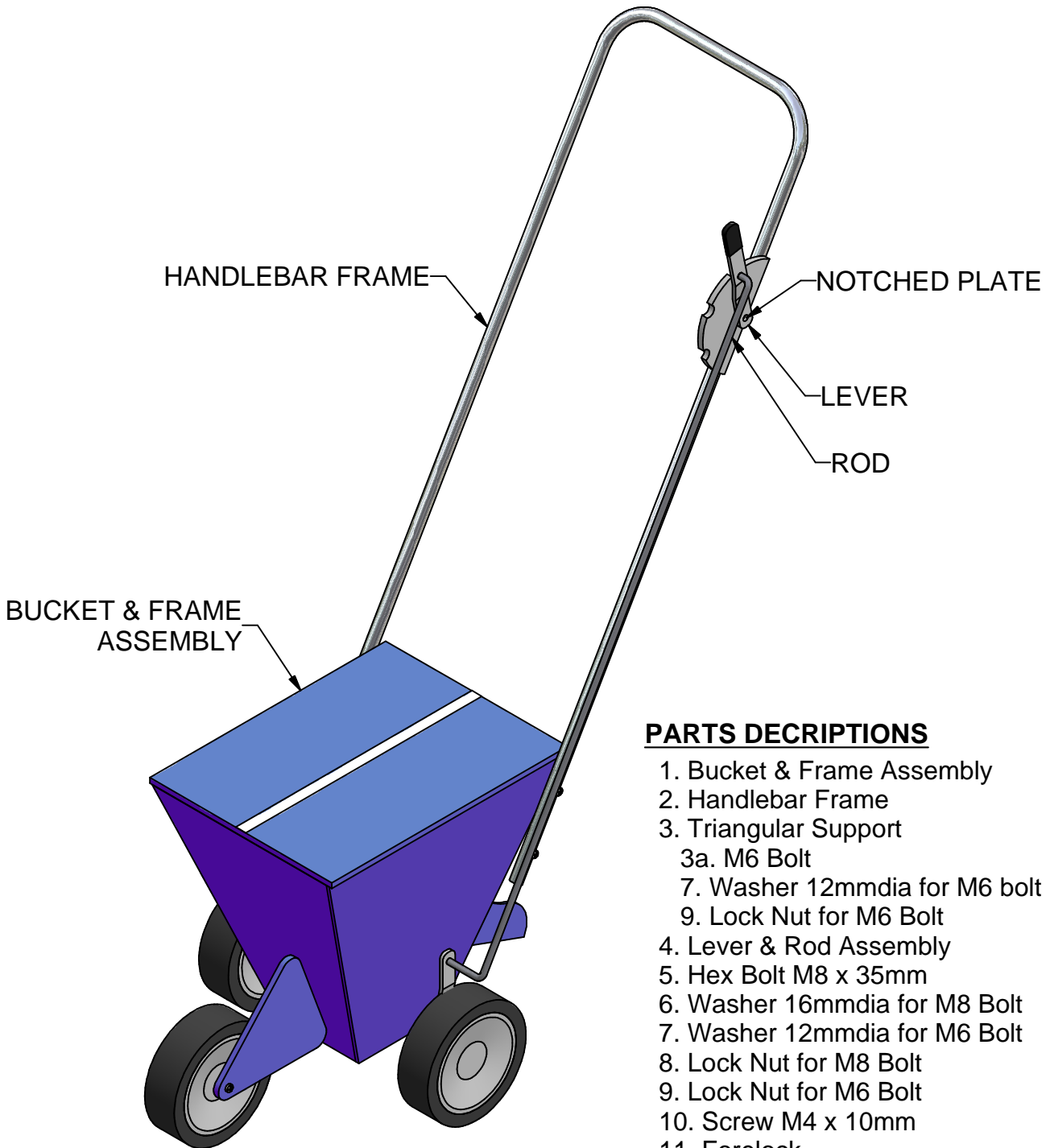


# FM-503

## DRY LINE MARKER



### PARTS DESCRIPTIONS

### QTY

1. Bucket & Frame Assembly	1
2. Handlebar Frame	1
3. Triangular Support	1
3a. M6 Bolt	4
7. Washer 12mmdia for M6 bolt	8
9. Lock Nut for M6 Bolt	4
4. Lever & Rod Assembly	1
5. Hex Bolt M8 x 35mm	4
6. Washer 16mmdia for M8 Bolt	8
7. Washer 12mmdia for M6 Bolt	2
8. Lock Nut for M8 Bolt	4
9. Lock Nut for M6 Bolt	2
10. Screw M4 x 10mm	1
11. Forelock	1
12. Notched Plate	1
13. Spring	1

REV.	DESCRIPTION	DATE	BY

### FM-503 DRY LINE MARKER

www.jaypro.com



FAX:  
800.444.1779 (SALES)  
860.440.0628 (ENG.)

PHONE:  
800.243.0533 (TOLL FREE)  
860.447.3001 (LOCAL)

DRAWING NAME / PART NUMBER:

**FM-503 DRY LINE MARKER PARTS LIST**

DRAWN BY: DC	ISSUE DATE: 6/12/2006
-----------------	--------------------------

CHK'D BY: BTS	REV.
------------------	------

SHEET: 1 OF 1	REV. <b>A</b>
------------------	------------------

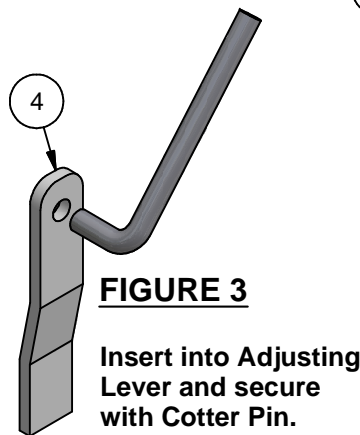
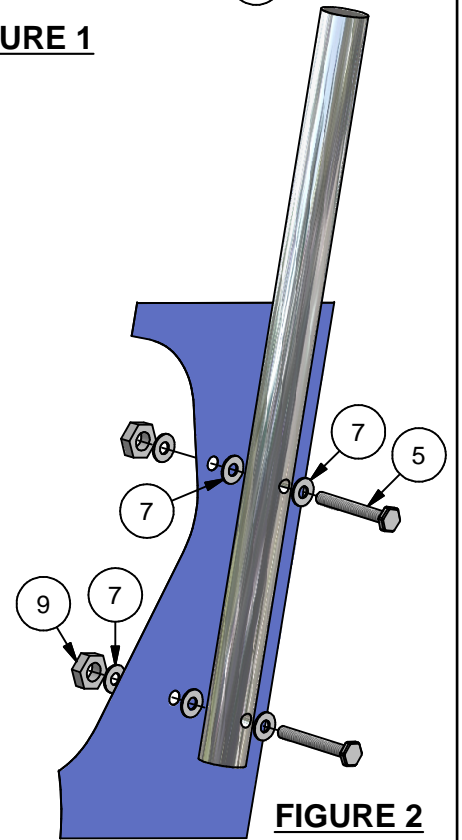
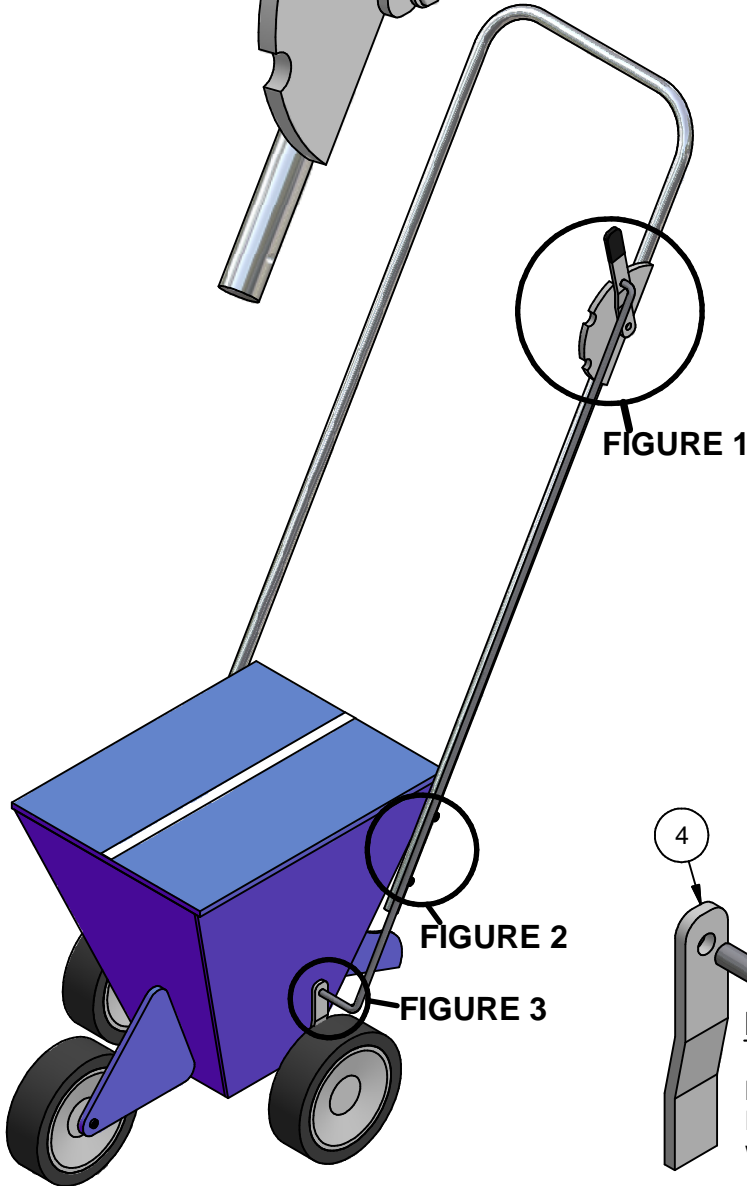
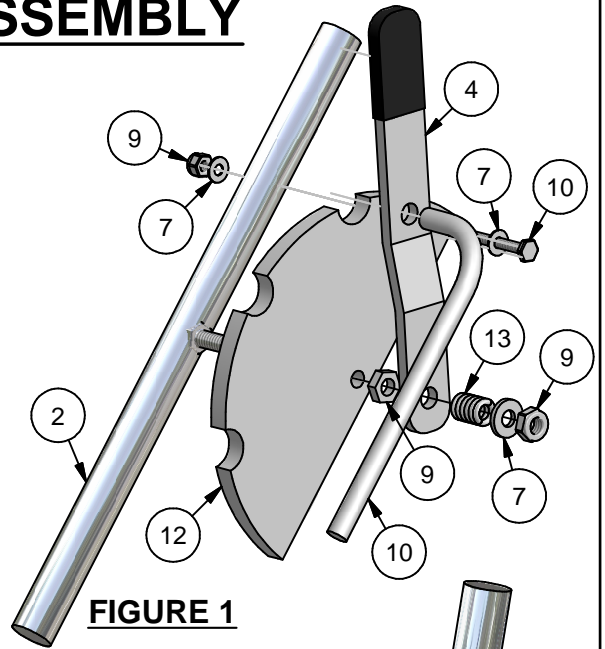
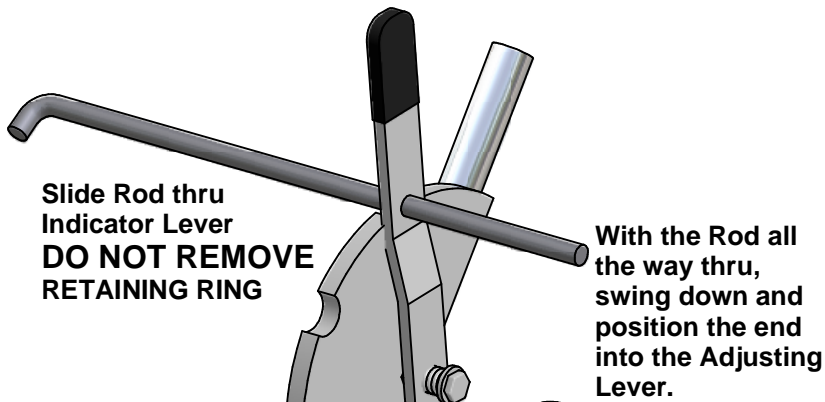
COPYRIGHT 2006  
JAYPRO SPORTS, LLC.  
ALL RIGHTS RESERVED

THIS PRINT IS THE PROPERTY OF JAYPRO SPORTS, LLC.  
AND MAY NOT BE REPRODUCED WITHOUT WRITTEN PERMISSION

JAYPRO SPORTS, LLC, 976 HARTFORD TURNPIKE, WATERFORD, CT 06385 USA

# FM-503

## DRY LINE MARKER ASSEMBLY



REV.	DESCRIPTION	DATE	BY

COPYRIGHT 2006  
JAYPRO SPORTS, LLC.  
ALL RIGHTS RESERVED

**FM-503**  
**DRY LINE MARKER**  
**ASSEMBLY**

THIS PRINT IS THE PROPERTY OF JAYPRO SPORTS, LLC.  
AND MAY NOT BE REPRODUCED WITHOUT WRITTEN PERMISSION

www.jaypro.com

  
**Jaypro**  
Since 1922

**FAX:** 800.444.1779 (SALES)  
860.440.0628 (ENG.)

**PHONE:** 800.243.0533 (TOLL FREE)  
860.447.3001 (LOCAL)

JAYPRO SPORTS, LLC, 976 HARTFORD TURNPIKE, WATERFORD, CT 06385 USA

DRAWING NAME / PART NUMBER: <b>FM-503 DRY LINE MARKER ASSEMBLY</b>	
DRAWN BY: DC	ISSUE DATE: 6/12/2006
CHK'D BY: BTS	
SHEET: 1 OF 1	REV. <b>A</b>