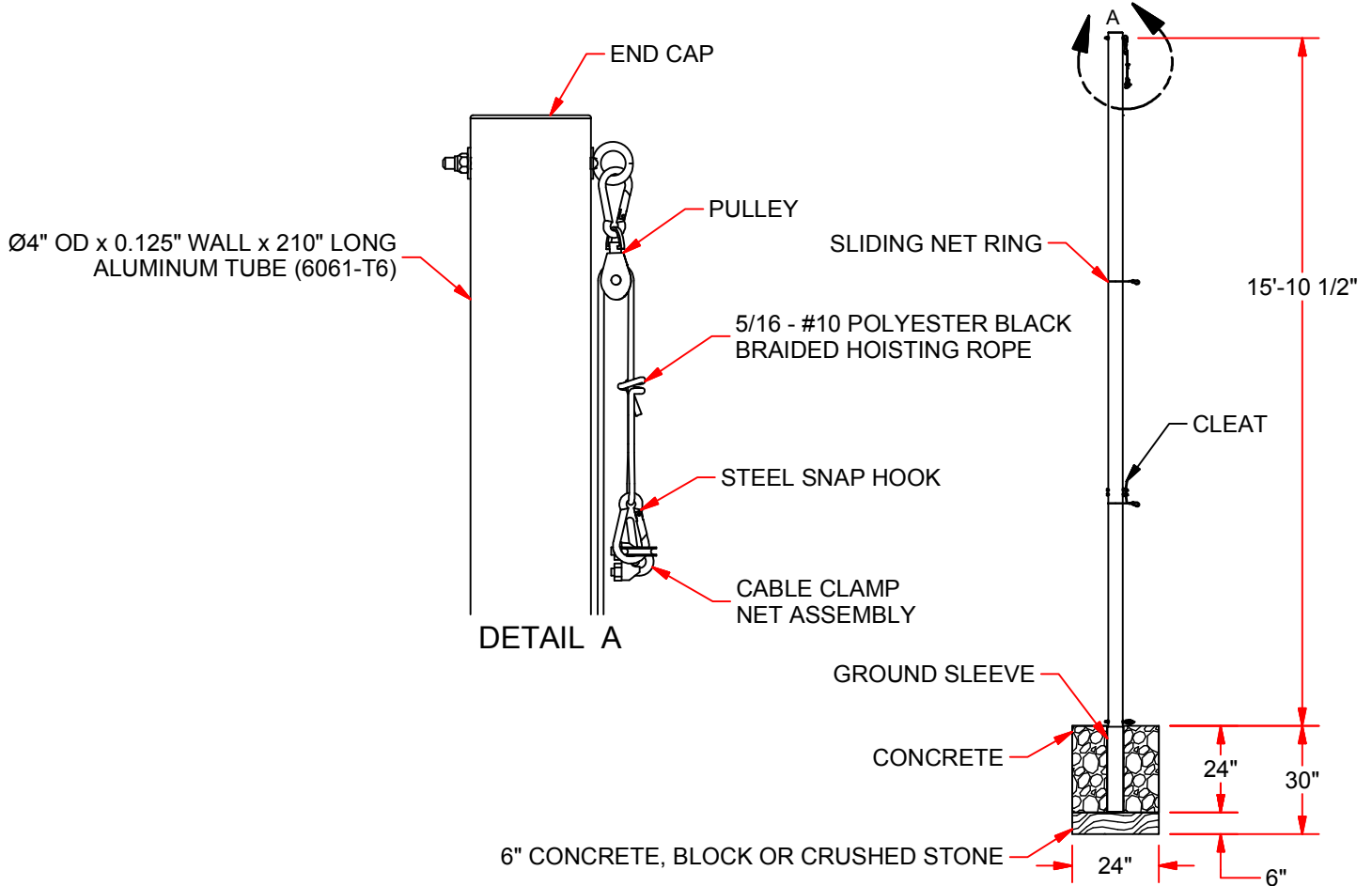


# FN-15

## 15 FT FIELDPRO NETTING™



**FEATURES:**

- \* Ø4" O.D. x 0.125" WALL x 210" LONG ALUMINUM TUBE (6061-T6)
- \* MILL FINISH OR POWDER COAT BLACK FINISH
- \* COMES WITH GROUND SLEEVE & COVER
- \* CORROSION RESISTANT HARDWARE

**NETTING OPTIONS:**

- \* MULTI-SPORTS 1-3/4" x #36 KNOTTED NYLON SQ. MESH, UV TREATED WITH 1/4" ROPE BORDER
- \* SOCCER / FOOTBALL 3-1/2" x #36 KNOTTED NYLON SQ. MESH, UV TREATED WITH 1/4" ROPE BORDER
- \* 1-3/4" KNOT-LESS HTPP SQ. MESH, UV TREATED WITH 1/4" ROPE BORDER
- \* 4" KNOT-LESS HTPP SQ. MESH, UV TREATED WITH 1/4" ROPE BORDER

NOTE: THESE ARE SUGGESTED DIMENSIONS FOR AVERAGE SOIL CONDITIONS, CONSULT LOCAL BUILDING CODES.

**15 FT FIELD NET POLE**



www.jaypro.com

INNOVATION, PERFORMANCE  
AND COMMITMENT SINCE 1953

DRAWING NAME / PART NUMBER:

**FN-15**

DRAWN BY: Moune T.	ISSUE DATE: 11/9/2012
CHKD BY: WVB	CHK DATE: 2/28/2014
SHEET: 1 OF 1	