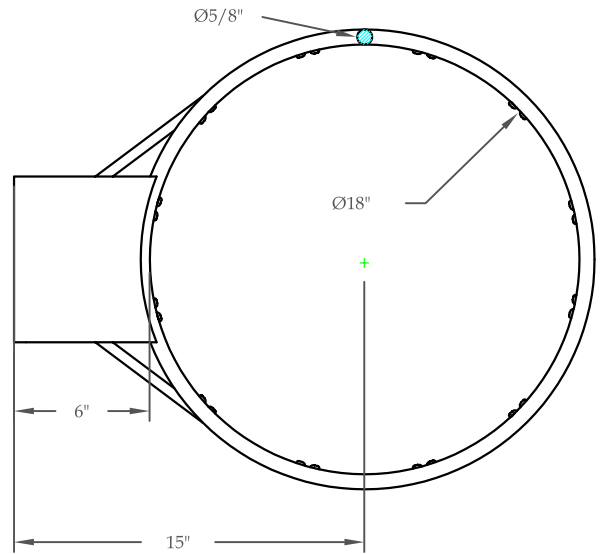
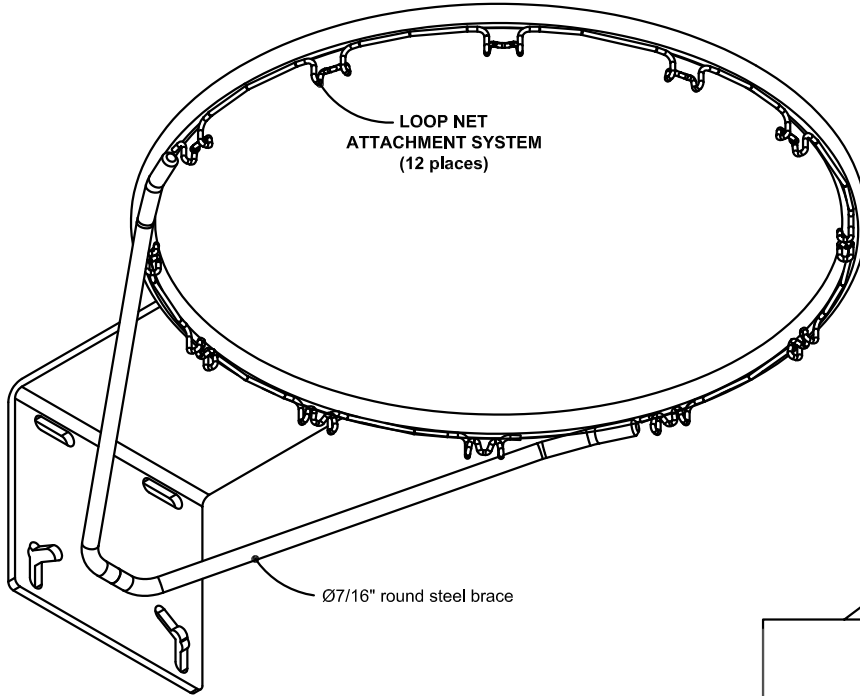
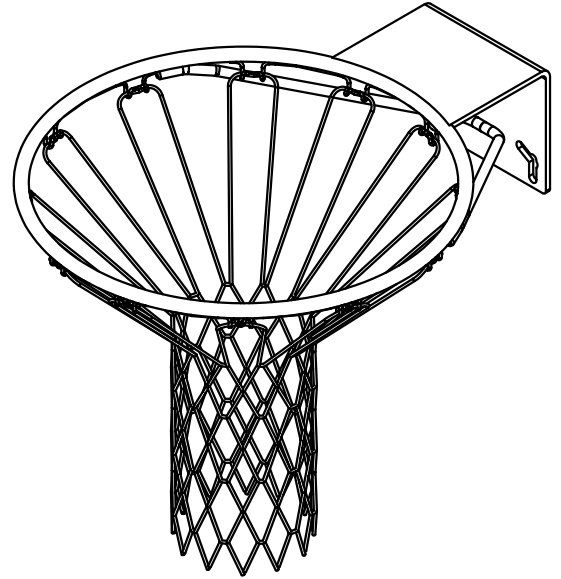
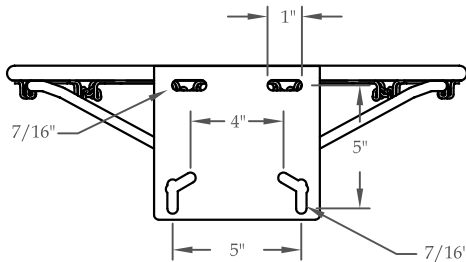


# GB-55

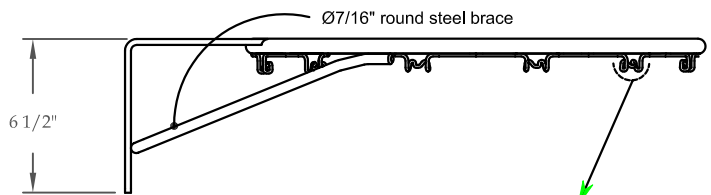
## Single Rim Goal



TOP VIEW



BACK VIEW



SIDE VIEW



REV.	DESCRIPTION	DATE	BY
A	ADDED NEW FEATURES	9/16/04	MT

### GBA-55 Single Rim Goal



www.jaypro.com  
976 HARTFORD TURNPIKE  
WATERFORD, CT 06385 USA

DRAWING NAME / PART NO.:	
GB-55	
DRAWN BY:	CHK'D BY:
MT	DM
ISSUE DATE:	
1/13/05	
SHEET:	REV.
1 OF 1	A

COPYRIGHT 2006  
JAYPRO SPORTS, LLC.  
ALL RIGHTS RESERVED

THIS PRINT IS THE PROPERTY OF JAYPRO SPORTS, LLC.  
AND MAY NOT BE REPRODUCED WITHOUT WRITTEN PERMISSION

# **GB-55**

## **FIXED SINGLE RING BASKETBALL GOAL**

Official size Basketball Goal is manufactured from 5/8" diameter steel rod. Bracing of the ring is by 7/16" diameter steel brace welded to the underside of the ring. 12 Loop net attachment system located on the underside of the ring to secure the anti-whip net (included) to the underside of the ring. The ring shall be 18" inside diameter and offset from the face of the backboard with a goal mounting flange. The entire ring shall be powder coated in orange.

The attachment mechanism shall position the inside of the ring 6" from the face of the backboard. The complete goal shall be finished in a durable orange finish. Complete with mounting hardware, the GB-55 incorporates an universal mounting plate that adapts to the majority of backboards sold.

The goal shall be warranted for a period of three years.