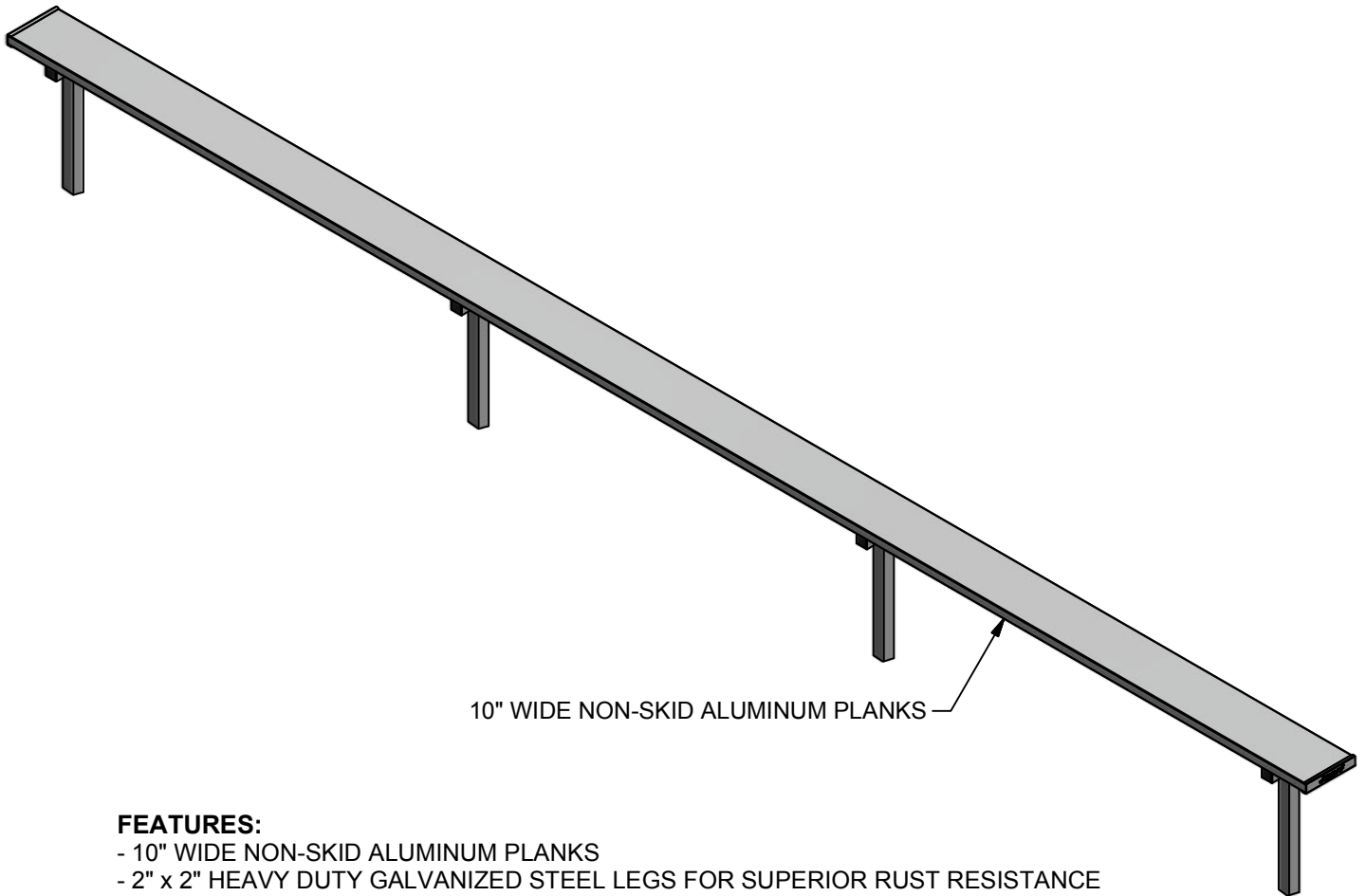


# PB-5PI



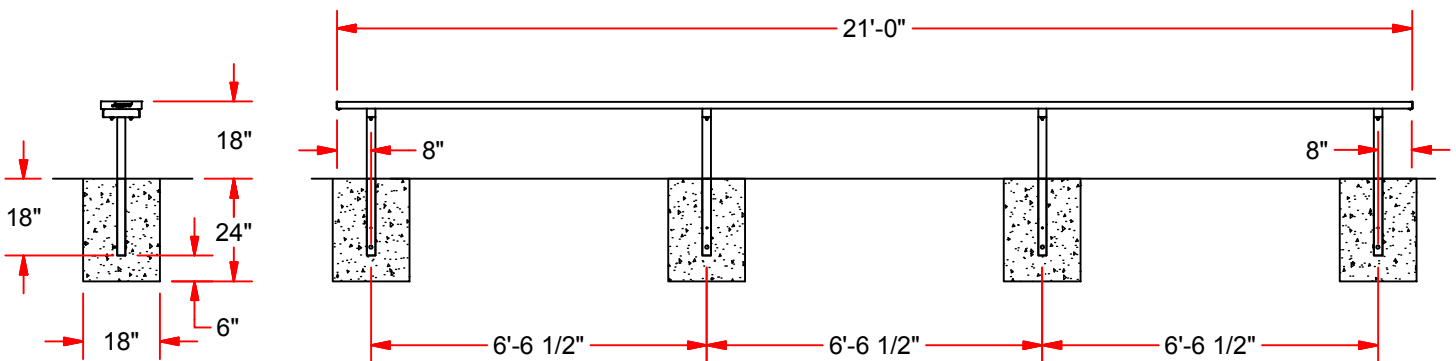
10" WIDE NON-SKID ALUMINUM PLANKS

## FEATURES:

- 10" WIDE NON-SKID ALUMINUM PLANKS
- 2" x 2" HEAVY DUTY GALVANIZED STEEL LEGS FOR SUPERIOR RUST RESISTANCE
- PLANKS ARE SUPPORTED BY A STRONG, GALVANIZED STEEL UNDERSTRUCTURE

## OPTIONS:

- CUSTOM POWDER COATED COLORS



| REV. | DESCRIPTION     | DATE  | BY |
|------|-----------------|-------|----|
| -    | INITIAL RELEASE | 10/13 | MT |
|      |                 |       |    |
|      |                 |       |    |

**PB-5PI**  
21' PLAYERS BENCH WITH  
OUT BACK REST



**jaypro sports**  
INNOVATION, PERFORMANCE  
AND COMMITMENT SINCE 1953

PHONE:  
800.243.0533 (TOLL FREE)  
860.447.3001 (LOCAL)

FAX:  
860.444.1779 (SALES)  
860.440.0629 (ENG.)

www.jaypro.com  
JAYPRO SPORTS, LLC, 976 HARTFORD TURNPIKE, WATERFORD, CT 06385 USA

|  |                          |
|--|--------------------------|
| DRAWING NAME / PART NUMBER:<br><b>PB-5PI</b> |                          |
| DRAWN BY:<br>Moune T.                        | ISSUE DATE:<br>8/22/2013 |
| CHK'D BY:<br>WVB                             | CHK DATE:<br>10/15/2013  |
| SHEET:<br>1 OF 1                             | REV.<br>-                |