



**PBB-200**  
**INFINITELY ADJUSTABLE**  
**PORTABLE BASKETBALL BACKSTOP**

Installation and Operating Instructions

Applicable Part Numbers/Models:  
PBB-200



# Table of Contents

1	SAFETY .....	2
	1.1 Proper Set Up and Use.....	2
	1.2 Inspection of Equipment .....	2
2	BEFORE YOU BEGIN.....	3
	2.1 Specifications.....	3
	2.2 Introduction.....	4
	2.3 LIMITED 2-YEAR WARRANTY .....	4
	2.4 Contact Information .....	4
	2.5 Locating Backstop .....	5
3	ASSEMBLY .....	5
	3.1 Required Tools.....	5
	3.2 Included Hardware & Components .....	6
	3.3 Unpacking .....	7
	3.4 Base Set Up .....	8
	3.5 Installing Backboard/Rim .....	9
	3.6 Leveling backboard and rim .....	10
	3.7 Attaching Pads.....	10
4	Operation & Maintenance .....	10
	4.1 Raising/Lowering Rim.....	10
	4.2 Folding to Transport Position .....	11
	4.3 Lubrication.....	11
	4.4 Cleaning .....	11

# 1 SAFETY

- **IMPORTANT: BEFORE INSTALLING, OPERATING, OR MAINTAINING THIS PRODUCT, READ ALL SAFETY PRECAUTIONS LISTED BELOW AND PAY HEED TO ALL WARNING LABELS ON PRODUCT. FAILURE TO DO SO MAY RESULT IN SERIOUS OR FATAL INJURIES AND/OR DAMAGE TO SURROUNDING PROPERTY.**

## 1.1 Proper Set Up and Use

- Follow all warning labels on backstops.
- Read this manual thoroughly. If you do not understand this manual or require additional information contact Jaypro Sports customer service.
- Adult supervision required at all times when used by young children.
- Be sure that area within 4 feet (1.25 meters) of backstop is clear of bystanders before raising or lowering.
- Obtain assistance if raising/lowering the backboard is too strenuous.
- Do not use backstop unless it is secured at game-height with the quick-adjust knob.
- When raising or lowering, do not release handles unless backstop is secured in position with the quick-adjust knob.
- Do not attempt to remove the backboard unless the unit is secured in position with the quick-adjust knob.
- Never hang on, climb on, or stand on this equipment.
- Do not hang on rim.
- Install only on level paying surfaces that are strong enough to support this product with ballast (~700lb).
- NEVER INSTALL WHERE CONTACT WITH ELECTRICAL WIRES IS POSSIBLE.
- Use additional caution to avoid contact with board when playing with lowered rim.
- Do not use backstop for gameplay unless feet have been lowered.
- Never move unless backboard is lowered to transport position.

## 1.2 Inspection of Equipment

- Inspect backstop for damaged, excessively worn, overly rusted, loose, or missing parts before and after each use.
- Do not use this product if it has damaged, excessively worn, overly rusted, loose, or missing parts.
- Lubricate moving parts at least once a season (or more, as necessary) to prevent wear.
- Never attempt to repair damaged or worn components.
- Contact Jaypro sports to replace damaged, worn, or missing components.

## 2 BEFORE YOU BEGIN

### 2.1 Specifications

Model	Backboard Dimensions	Standard Rim	Height Range (A)	Extension Distance (B) at:				Total Weight <sup>1</sup>
				6'-6"	8'-0"	9'-0"	10'-0"	
PBB-200	32" x 48" Acrylic	GBA-542	6'-6" to 10'	33-1/2"	40"	44-1/2"	49"	700lb

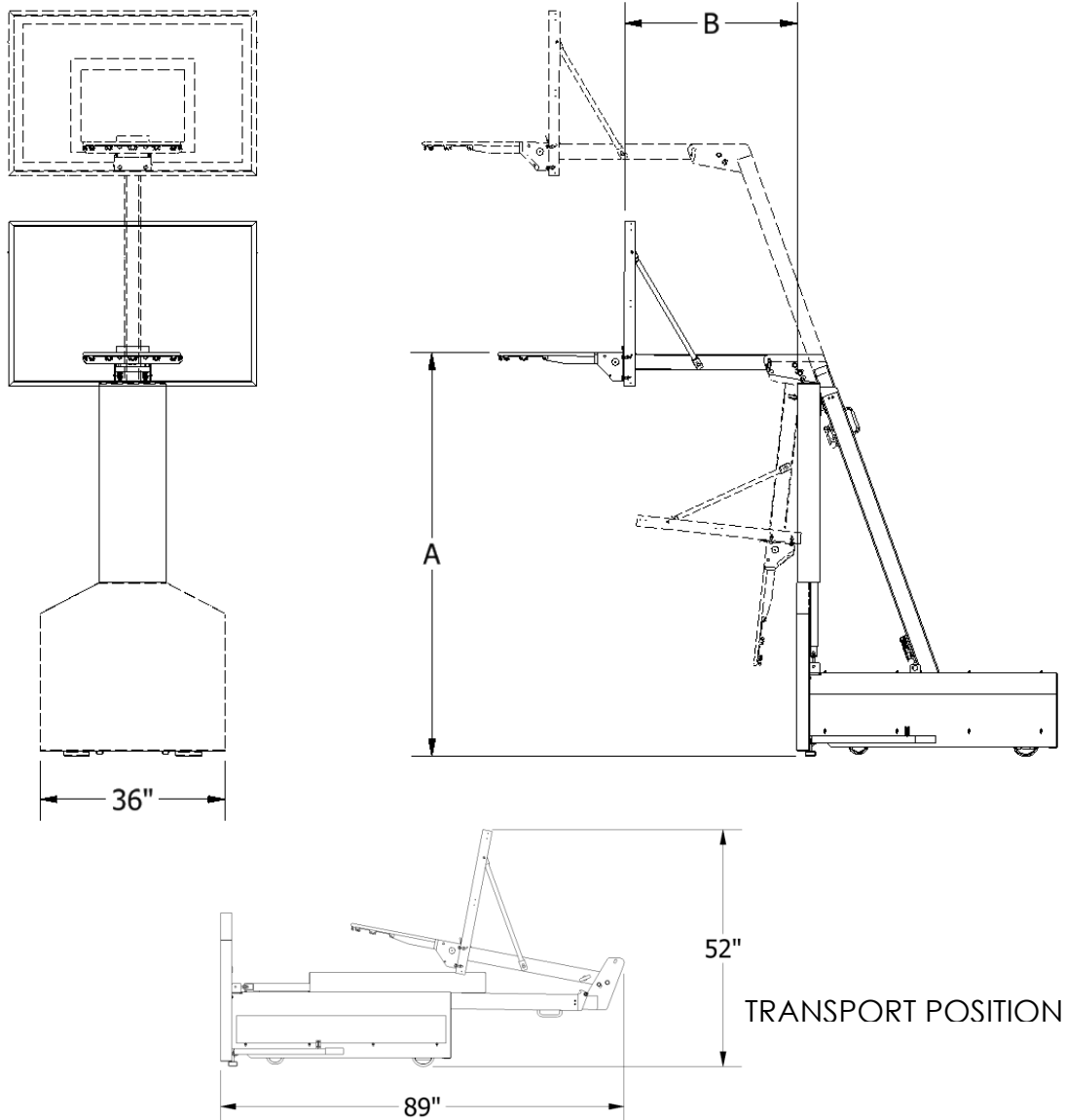


Figure 1: PBB-200 Dimensions

<sup>1</sup> Includes 350lb of customer supplied ballast.

## 2.2 Introduction

This guide describes the installation, operation, and maintenance of the PBB-200 Infinitely Adjustable Portable Basketball Backstop. Read thoroughly before installing, operating, or maintaining. Failure to do so may result in serious or fatal injuries and/or damage to the equipment.

If you require additional information or support to install your backstops, please contact the Jaypro Sports customer support team, Monday through Friday, 8:30AM to 5:00 PM (EST), at 1-800-243-0533.

Jaypro Sports reserves the right to make changes at any time without notice.

Retain this guide for future reference.

## 2.3 LIMITED 2-YEAR WARRANTY

All products manufactured by Jaypro Sports are subjected to rigorous and thorough inspections prior to packaging. Jaypro Sports therefore warrants this product to be free from defects in material quality and/or workmanship for a period of two years from the date of purchase. This warranty covers failure that occurs during the normal use of the product and does **not** include the following:

- Abuse, negligence, improper installation, vandalism, unauthorized alterations, acts of God, or any events beyond the control of Jaypro Sports.
- Paint finish or rusting.
- Shipping costs.

Credit for the repair or return of a warranted item must be approved by Jaypro Sports. Any returns without an RMA numbered will be refused. Returned goods must be shipped (prepaid by customer) to the factory and must include a copy of the sales receipt for evaluation by Jaypro Sports before any credit will be applied.

## 2.4 Contact Information

Jaypro Sports, LLC  
976 Hartford Tpke  
Waterford, CT 06385  
PHONE: 800-243-0533/FAX: 800-988-3363  
[www.jaypro.com](http://www.jaypro.com)

## 2.5 Locating Backstop

When used with court markings refer to Figure 2 in order to properly locate the backstop.

### **REGULATION COURT LENGTHS:**

High School: 84'

College: 94'

Professional: 94'

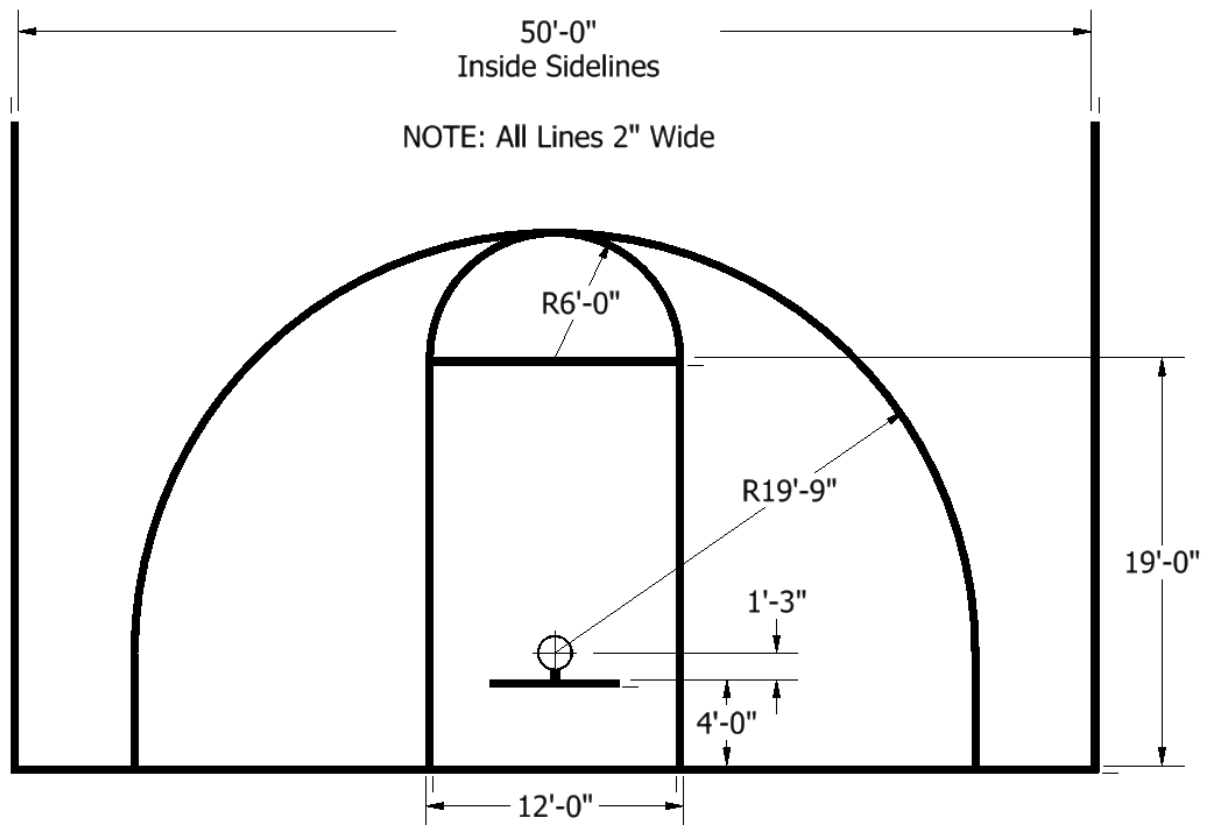


Figure 2: Regulation Court Dimensions

## 3 ASSEMBLY

### 3.1 Required Tools

Before continuing, please verify that you have the following tools required to complete the installation and setup of your PBB-200 infinitely adjustable portable backstop.

- Utility knife
- Slotted Screwdriver
- 4ft level
- #2 & #3 Philips screwdriver

- 1/2" combination wrench
- Two 9/16" combination wrenches
- Two 3/4" combination wrenches
- 350 lbs (160 kg) of ballast material (sandbags or patio blocks recommended)

### 3.2 Included Hardware

Before continuing, please verify that you have all the required hardware (included w/ unit) for installation and setup. If any of the following items are missing, contact the Jaypro Sports customer support team, Monday through Friday, 8:30AM to 5:00 PM (EST), at 1-800-243-0533.



5/16" Flat Washer (2X)



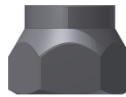
5/16"-18 x 3/4" Screw (2X)



5/16"-18 Nylon Lock Nut (2X)



3/8"-16 x 1-1/2" Hex Bolt (4X)



3/8"-16 Nylon Lock Nut (1X)



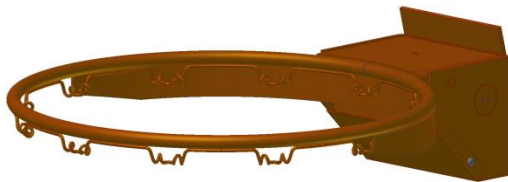
3/8" x 2-3/4" Hex Bolt (1X)



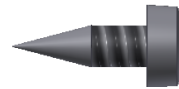
3/8" Flat Washer (4X)



3/8"-16 Flanged Hex Nuts (4X)



Breakaway Rim (1X, GBA-542)



#12 x 3/4" Wood Screw (8X)



#12 Washer (8X)



Backboard Support Arms (2X, PBB-200-10)

### 3.3 Components

Refer to the figure below for the various parts used during assembly and operation.

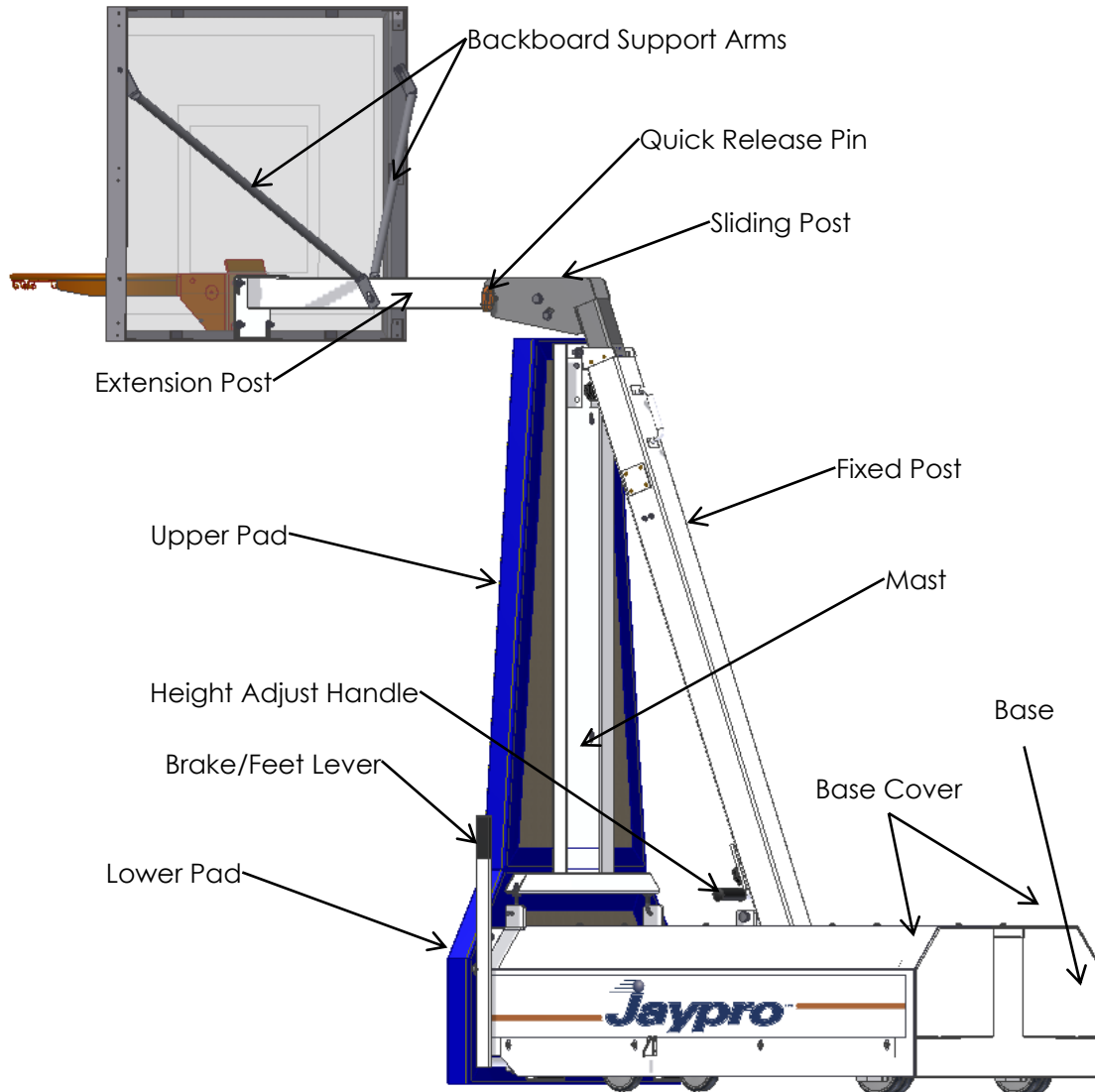


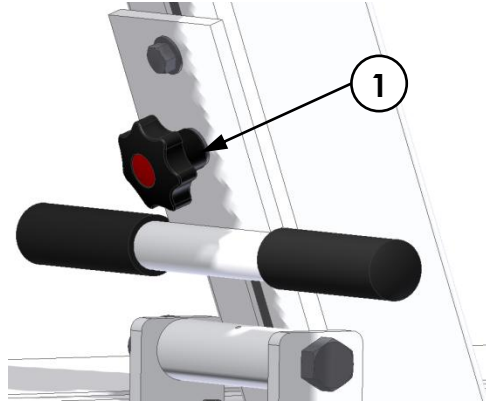
Figure 3: PBB-200 Components

### 3.4 Unpacking

**WARNING:** The fully loaded pallet weighs 440 lbs (200 kg) and is difficult to handle. To prevent serious or fatal injury only lift and move pallet with a forklift or suitably rated pallet jack.



**WARNING:** The slider post is spring loaded and can extend rapidly. To prevent serious or fatal injury, do not cut the strap holding the post in place or loosen the quick-adjust knob[1] on the height adjust handle until instructed to do so.



**IMPORTANT:** Unpacking and assembling the PBB-200 will require two or three people in good physical condition each capable of lifting 80 to 100 lbs (36 to 45 kg).

1. Using a forklift or pallet jack, place pallet on a level surface.
2. Carefully use a utility knife to remove wrapping.
3. Unpack all boxes and lay out contents.
4. Remove the three 3/8" bolts that secure the base to the pallet.
5. This step requires three adults: two to handle the PBB-200 and one to remove the pallet. Slowly tilt the PBB-200 backwards until the rear wheels touch the ground. Raise the front end of the unit off the pallet. Remove the pallet and lower unit to the ground.

### 3.5 Base Set Up

1. Remove strap holding fixed post in place.

**WARNING: DO NOT REMOVE STRAP FROM SLIDING POST.**

2. Lift fixed post by handle until it the slots at the top of the fixed post hook onto the top hinge of the mast.

**WARNING: LIFT FIXED POST FROM HANDLE ONLY TO AVOID CRUSHING FINGERS IN PINCH POINTS.**

3. Secure assembly by tightening the knob on the hinge assembly.
4. Remove both base covers.

5. Add 350 lbs (160kg) of ballast material<sup>2</sup> into ballast compartments in such a way that the material does not shift when moving or using the backstop.
6. Reattach the base covers.

### 3.6 Installing Backboard/Rim

\*\*\*DO NOT fully tighten hardware when installing backboard and rim. The hardware will be fully tightened when leveling backboard and rim.

1. Remove the bolt, nut, and washers that fasten the extension post to the fixed post.
2. Remove the extension post from the slider post.
3. Remove cover plate from rim.
4. Stand backboard up with long edge on floor and rim mounting holes toward the bottom.
5. Position extension post with mounting plate against the rear of the backboard. Align slots in mounting plate with holes in backboard.
6. Place rim against front of rim, align slots in rim with holes in backboard.
7. Fasten rim and backboard to extension post using 3/8" x 1-1/2" hex bolts, 3/8" washers, and 3/8" flange nuts. **Do not use bolts supplied with rim.**
8. Verify that Rim and backboard are square with respect to each other and extension post, correct as necessary. Hand-tighten bolts.
9. Attach backboard support arms to extension post using 3/8" x 2-3/4" hex bolt, 3/8" washers, and 3/8" nylock nut. Hand-tighten bolt.
10. Attach support arms to backboard using 5/16" x 3/4" screws, 5/16" washers, and 5/16" nylock nuts.
11. Remove quick-release pin from extension post.
12. Reinstall extension post in between brackets on slider post using hardware removed in step 1.
13. Pivot extension post upwards to align holes in post with holes in brackets.
14. Insert quick-release pin through holes.
15. Remove strap holding slider post in place.

---

<sup>2</sup> Jaypro recommends the use of sandbags or patio blocks.

### 3.7 Leveling backboard and rim

1. Ensure that feet are lowered on base and set rim to 10' playing height.
2. Verify that backboard and rim are level and plumb using a carpenter's level.
3. If board is out of level, loosen bolts fastening rim and board to extension post as well as screws fastening support arms to backboard and adjust as necessary.
4. If board is not plumb, loosen bolt fastening extension post to support arms and adjust as necessary.
5. Wrench-tighten all hardware.

### 3.8 Attaching Pads

1. Ensure that feet are lowered on base.
2. Rest bottom pad against the front of the base with the bottom of the pad resting on top of the feet. Ensure that the pad is centered with respect to the base.
3. Fasten pad to base using four #12 x 1/2" wood screws and #12 washers.
4. Place top pad against the mast with the bottom of the pad resting on top of the bottom pad.
5. Fasten pad to base using four #12 x 1/2" wood screws and #12 washers.

## 4 Operation & Maintenance

### 4.1 Raising/Lowering Rim

**WARNING: DO NOT ATTEMPT TO RAISE THE RIM UNLESS THE FEET ARE LOWERED AND THE FRONT CASTERS ARE OFF THE GROUND.**

1. When raising for the first time, loosen the hex head bolt on the height adjust handle about 1/2 turn, until the washer can be rotated freely.
2. Hold onto the height adjust handle and loosen quick-adjust knob.
3. Adjust the rim height by raising or lowering height adjust handle. Numbers on side of slider post display rim height.

4. Tighten quick-adjust cam lever to pin rim at desired height.

## 4.2 Folding to Transport Position

**WARNING: NEVER MOVE UNLESS BACKBOARD IS LOWERED TO TRANSPORT POSITION.**

1. Lower rim to the minimum height.
2. Support the extension post/backboard/rim with one hand and remove the quick-release pin. Pivot extension post downward until backboard rests against mast padding.
3. Reinsert quick-release pin into extension post.
4. Loosen knob on hinge assembly between mast and fixed post.
5. Pull handle on back of fixed post to lower backstop into transport position.
6. Raise feet and lower front wheels by raising lever on side of base.

## 4.3 Storage & Use

- The PBB-200 may be used indoors or outdoors, though it is not designed to be stored outdoors.
- Exposure to precipitation will cause components to rust.
- Always store indoors.

## 4.4 Lubrication

- Lubricate all pivot points and other moving components at least once a season or more, as necessary.
  - Generously apply light oil to the exposed surfaces of the shaft to which the feet are attached.
- Use heavy grease where possible and light oil in tight areas.
- Follow instructions included with rim for lubricating rim breakaway mechanism.

## 4.5 Cleaning

- The exterior of the PBB-200 is powder-coated for a rugged, rust-inhibiting finish.

- When necessary, clean with a mild dish detergent using a soft non-abrasive cloth.
- The occasional coating of automotive wax will help extend the life of the powder-coated finish.