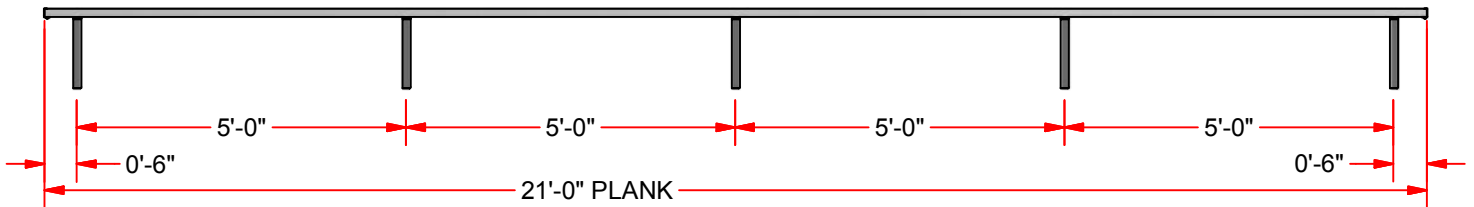
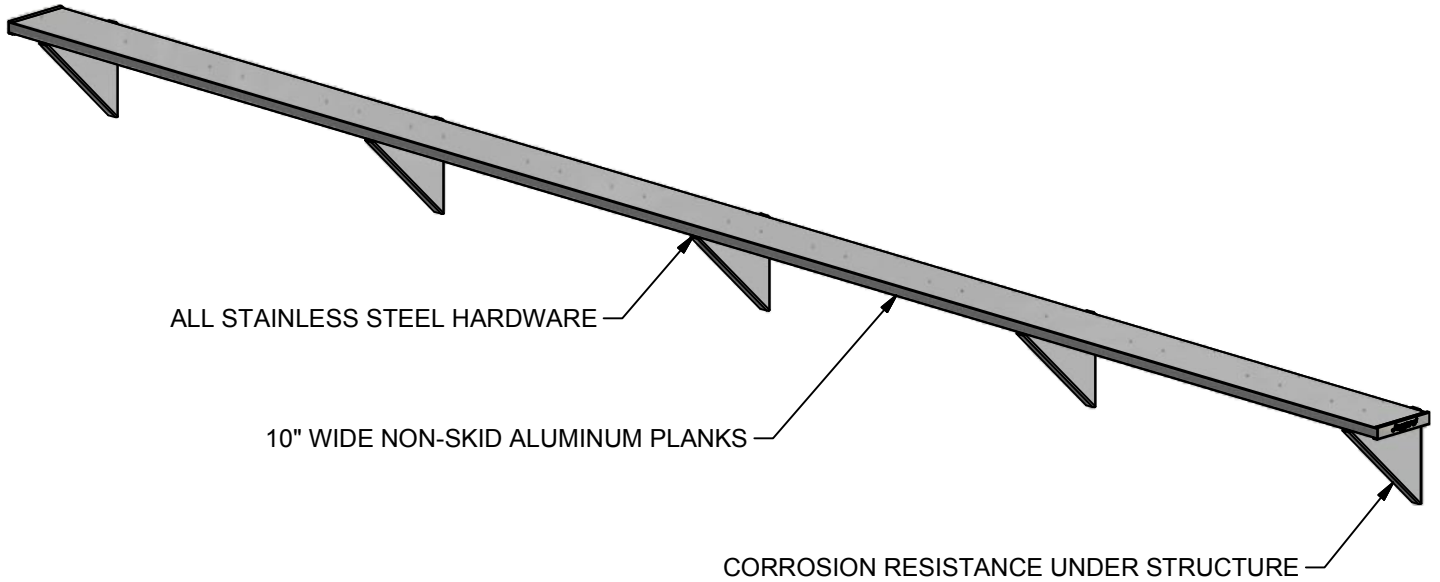
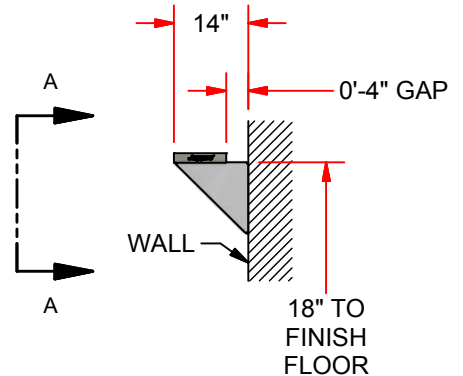


PBW-5

21' WALL MOUNTED ALUMINUM PLAYERS BENCH



VIEW A-A
(FRONT VIEW)



FEATURES:

- * 21' SEAT PLANKS ARE 10" WIDE NON-SKID ALUMINUM
- * CORROSION RESISTANCE UNDER STRUCTURE
- * ALL STAINLESS STEEL HARDWARE

OPTIONS:

- * CUSTOM POWDER COATED COLORS

PBW-5
21' WALL MOUNTED ALUMINUM
PLAYERS BENCH

THIS PRINT IS THE PROPERTY OF JAYPRO SPORTS, LLC.
AND MAY NOT BE REPRODUCED WITHOUT WRITTEN PERMISSION



INNOVATION, PERFORMANCE
AND COMMITMENT SINCE 1953

PHONE:
800.243.0533 (TOLL FREE)
860.447.3001 (LOCAL)

FAX:
860.444.1773 (SALES)
860.440.0628 (ENG.)

DRAWING NAME / PART NUMBER:

PBW-5

| | |
|-----------------------|---------------------------|
| DRAWN BY: Moune T. | ISSUE DATE: 10/12/2011 |
| CHKD BY: WVB | CHK DATE: 4/11/2014 |
| SHEET: 1 OF 1 | |