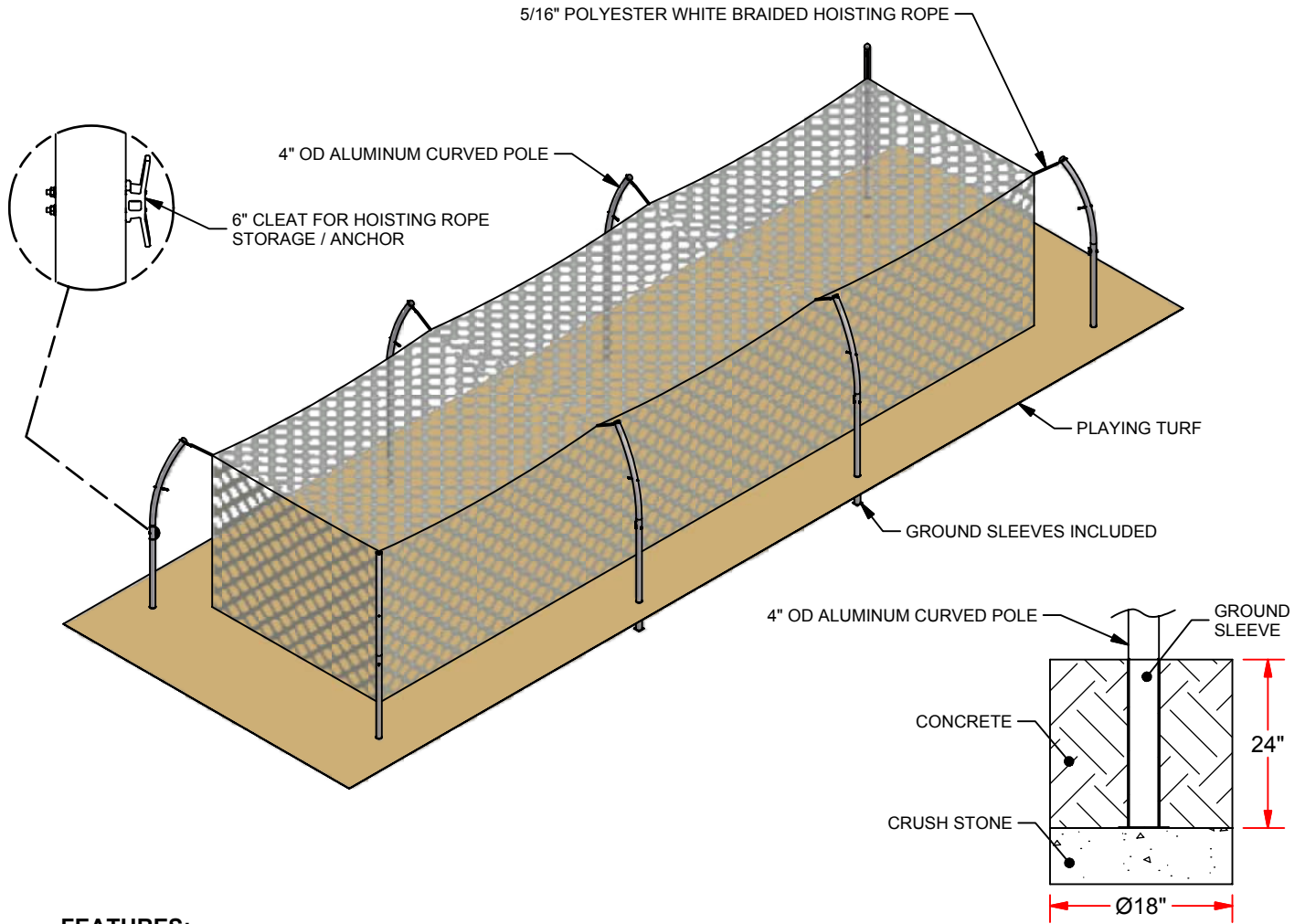


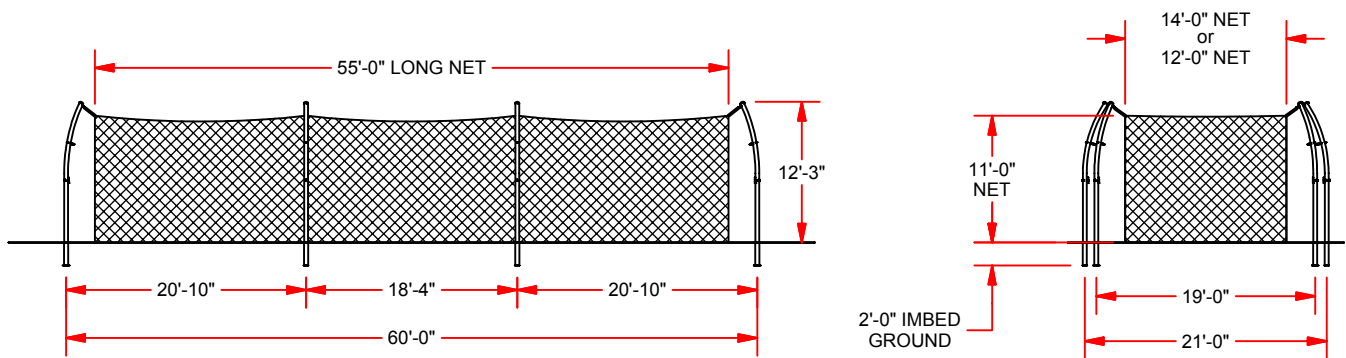
PROTF-55

PROFESSIONAL OUTDOOR BATTING TUNNEL



FEATURES:

- INDIVIDUAL HOIST LINES MAKES FOR EASY INSTALLATION AND REMOVAL OF NET.
- CLEAN DESIGN WITH LESS STRUCTURE FOR BALL TO RICOCHET OFF.
- SUPPORTS ARE CURVED TO PROVIDE 2 FEET OF OFFSET.
- INCLUDES SLEEVES. ACCOMMODATED BOTH 12' AND 14' WIDE NETS
- 12" OF EXCESS NET ON BOTTOM TO PREVENT BALLS FROM ROLLING UNDER.



REV.	DESCRIPTION	DATE	BY
-	INITIAL RELEASE	1/26/10	MT

COPYRIGHT 2006
JAYPRO SPORTS, LLC.
ALL RIGHTS RESERVED

PROTF-55
PROFESSIONAL OUTDOOR
BATTING TUNNEL FRAMES
55 FT LONG CAGE

THIS PRINT IS THE PROPERTY OF JAYPRO SPORTS, LLC.
AND MAY NOT BE REPRODUCED WITHOUT WRITTEN PERMISSION

www.jaypro.com

FAX:
860.444.1779 (SALES)
860.440.0628 (ENG.)

PHONE:
800.243.0533 (TOLL FREE)
860.447.3001 (LOCAL)

JAYPRO SPORTS, LLC, 976 HARTFORD TURNPIKE, WATERFORD, CT 06385 USA

DRAWING NAME / PART NUMBER: PROTF-55	
DRAWN BY: Moune T.	ISSUE DATE: 1/26/2010
CHK'D BY: WVB	
SHEET: 1 OF 1	REV. -