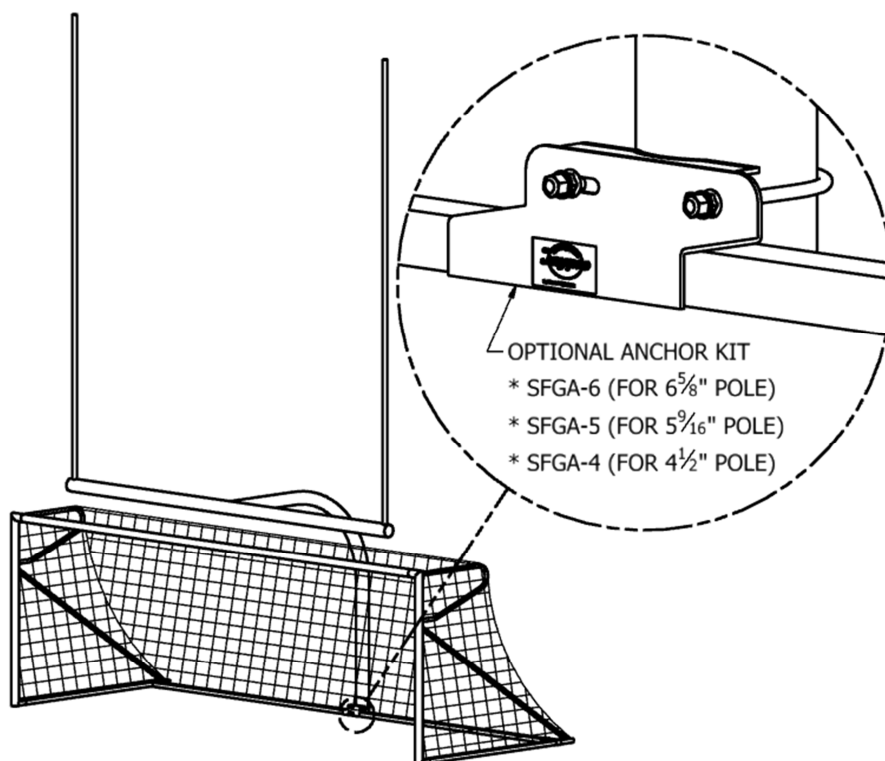




-- SGP-600AX --  
(NOVA PREMIERE™ ADJUSTABLE)  
Installation Instructions

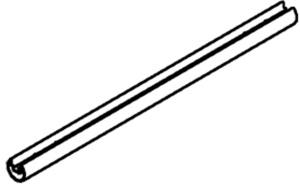
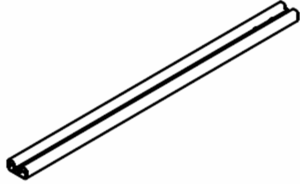
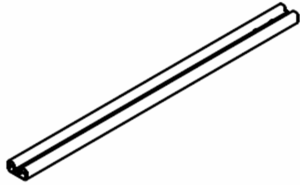
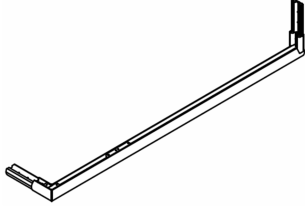
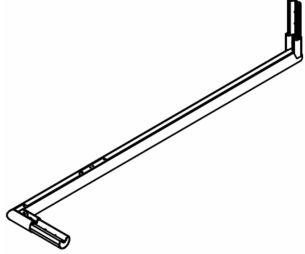
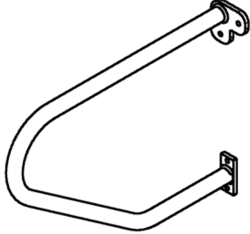


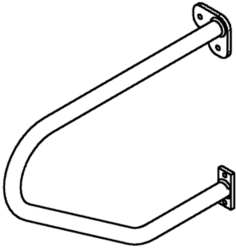


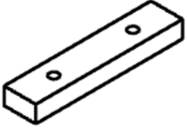


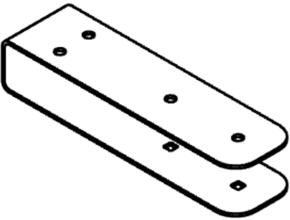

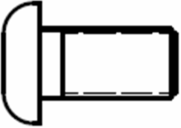
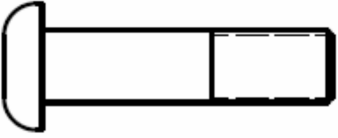
Ground anchors are recommended to meet High School and College regulations. Jaypro also strongly recommends ground anchors SFGA KIT.


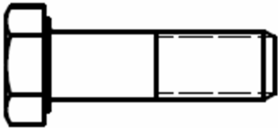
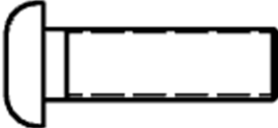


Call Jaypro Sports Equipment at 1-800-243-0533 during regular business hours for technical support.

[www.jaypro.com](http://www.jaypro.com)

**JAYPRO SPORTS  
NOVA PREMIERE™ ADJUSTABLE  
SGP-660AX (QTY: SINGLE GOAL)  
(MAY BE PACKAGED IN PAIRS)**

ITEM	IMAGE	DESCRIPTION	QTY
1		4" SOCCER CROSSBAR x 280"	1
2		2" x 4" x 104" SOCCER BASE	2
3		2" x 4" x 287" SOCCER REAR CROSSBAR	1
4		4" SOCCER UPRIGHT RIGHT	1
5		4" SOCCER UPRIGHT LEFT	1
6		EUROPEAN BACKSTAY RIGHT	1
ITEM	IMAGE	DESCRIPTION	QTY

ITEM	IMAGE	DESCRIPTION	QTY
7		EUROPEAN BACKSTAY LEFT	1
8		AUXILIARY SOCCER BACKSTAY	2
9		7" LONG NUT BAR	2
10		6-1/2" LONG SPACER BLOCK	2
11		3-1/4" LONG SPACER BLOCK	2
12		3-1/4" LONG NUT BAR	2
13		BACKSTAY X-BAR BRACKET	2
14		3/8"-16 x 2 3/4" CARRIAGE BOLT, SS	4
15		3/8"-16 x 3/4" BUTTON HEAD, SS	6
16		3/8"-16 X 1 1/2" BUTTON HEAD, SS	4
ITEM	IMAGE	DESCRIPTION	QTY

ITEM	IMAGE	DESCRIPTION	QTY
17		3/8"-16 LOCK NYLON, SS	4
18		3/8"-16 x 1 1/4" HEX HEAD, SS	4
19		3/8"-16 x 1 1/4" BUTTON HEAD, SS	18
20		3/8" MEDIUM SPLIT LOCK WASHER, SS	36
21		3/8" FLAT SAE, SS	36

- Unpack all parts and check against parts list to ensure that all have been included.
- Inspect all parts for damage. Report any damages to the trucking company.

**IMPORTANT NOTE:**

The SGP-600AX official soccer goal with adjustable rear crossbar has been design to fit completely under a football goalpost. It is highly recommended that the rear crossbar be securely anchored to the base of the goalpost using a suitable anchor kit.

**OPTIONAL ANCHORS**



Soccer / football anchor kit. Securely anchor your soccer goal to your football goal post. Fastens the crossbar of the soccer goal to the gooseneck. Protective lining on the bracket and hardware protects the finish on the goal post. SFGA-6 (6-5/8" OD) / SFGA-5 (5-9/16" OD) / SFGA-4 (4-1/2" OD)

**IMPORTANT NOTICE:**

- 1) BEFORE EACH USE CHECK EQUIPMENT FOR PROPER CONNECTING HARDWARE AND STRUCTURAL INTEGRITY. REPLACE DAMAGED OR MISSING HARDWARE IMMEDIATELY.
- 2) USE OF THIS EQUIPMENT OTHER THAN INTENDED, MAY BE HAZARDOUS.
- 3) ALTERATION OR MODIFICATION OF THIS EQUIPMENT MAY BE HAZARDOUS AND RESULT IN INJURY. FOR REPAIR OR REPLACEMENT, CONTACT YOUR DEALER OR JAYPRO SPORTS.

\*\*\* ASSEMBLY INSTRUCTIONS REQUIRES 3 PEOPLE \*\*\*

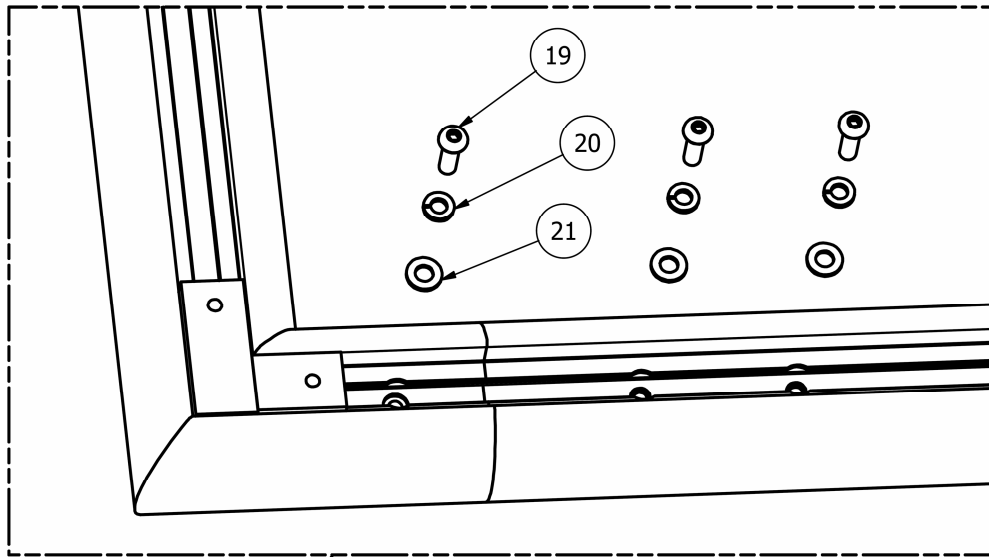
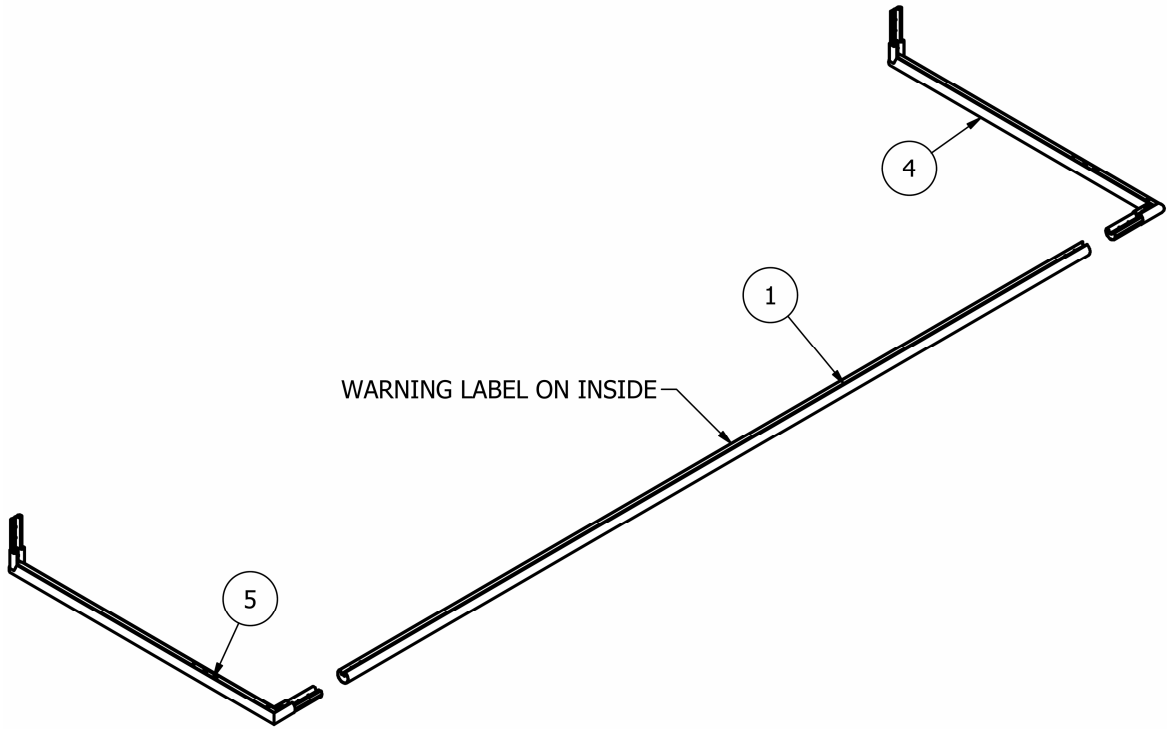
**TOOLS REQUIRED:**

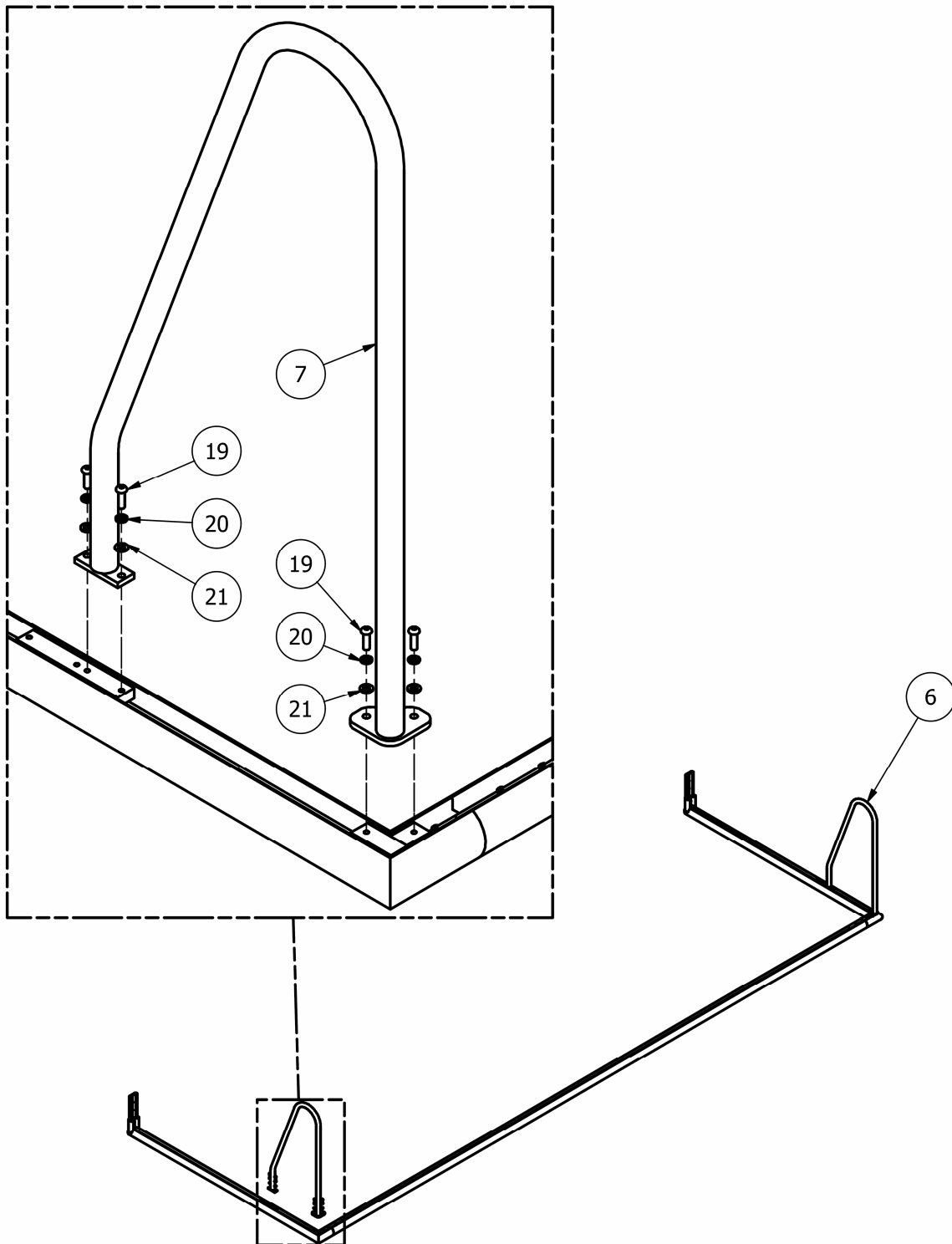
- (1) 9/16" Socket Wrench and Box Wrench
- (1) 7/32" Allen Wrench
- (1) Rubber Mallet
- (1) Step Ladder

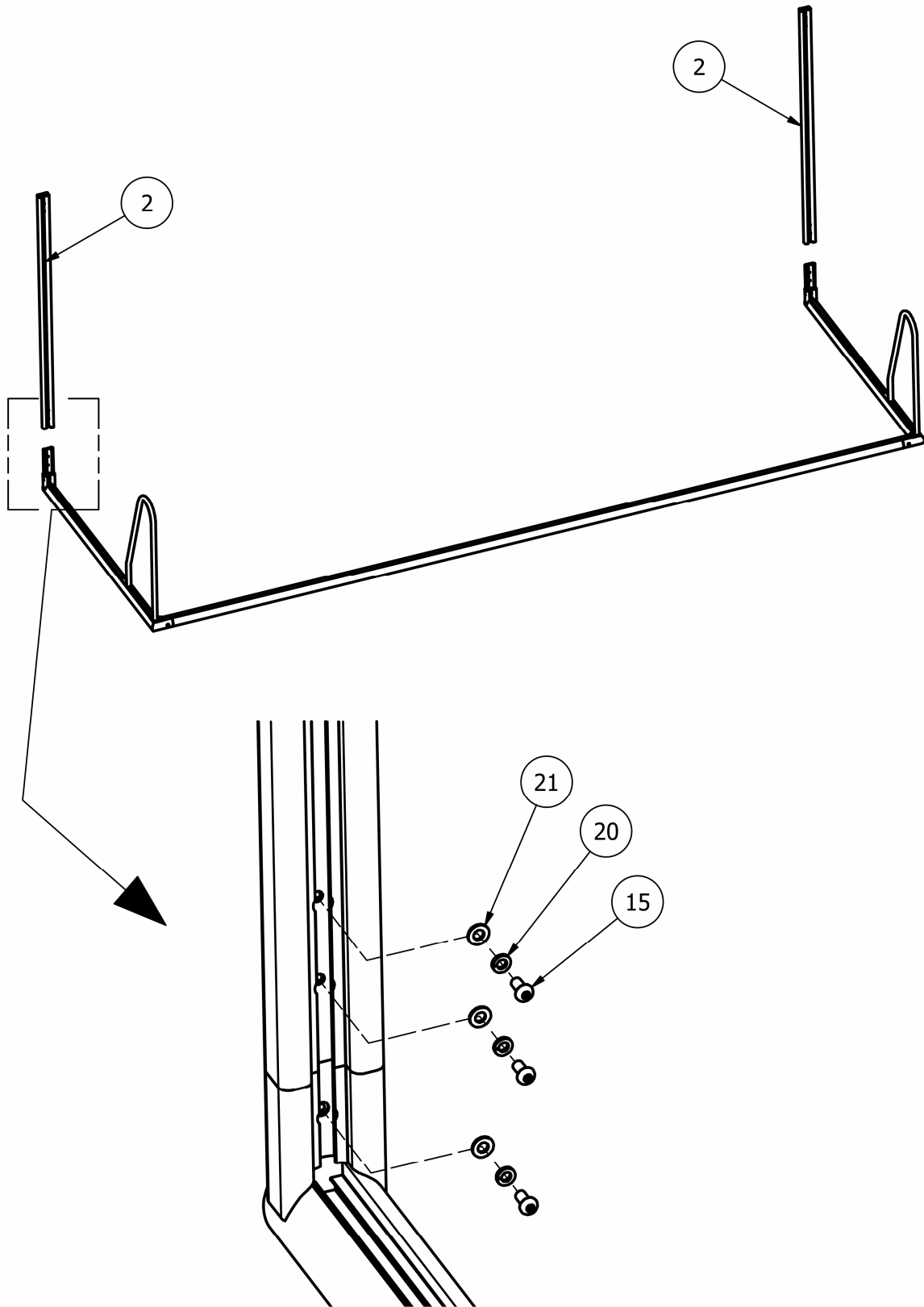
- Unpack all parts and check against parts list to ensure that all have been included.
- Inspect all parts for damage. Report any damages to the trucking company.

**Front Goal Face Assembly:**

1. Insert 4" crossbar x 280" long (1) into both left & right soccer uprights (4 & 5).
2. Install hardware loosely, as shown.
3. Attach both European left & right backstays (6 & 7) on corner plate fittings as shown on uprights left & right (4 & 5).
4. Install hardware loosely, as shown.
5. Insert 2" x 4" x 104" bases (2) into both left & right uprights (4 & 5).
6. Install hardware loosely, as shown.
7. Align parts and tighten hardware.







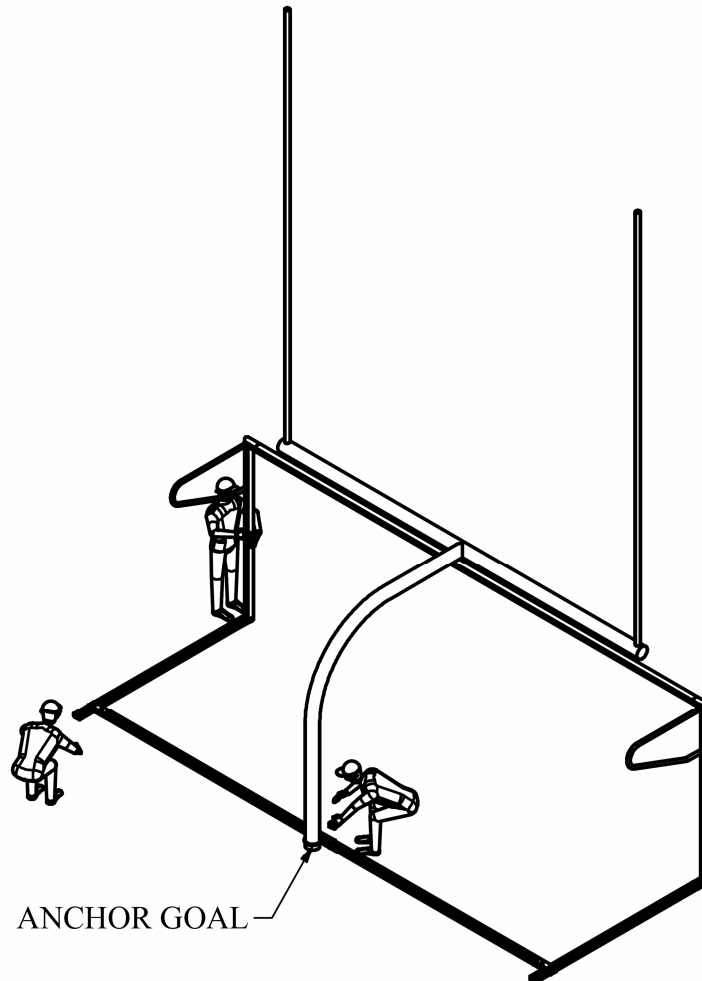


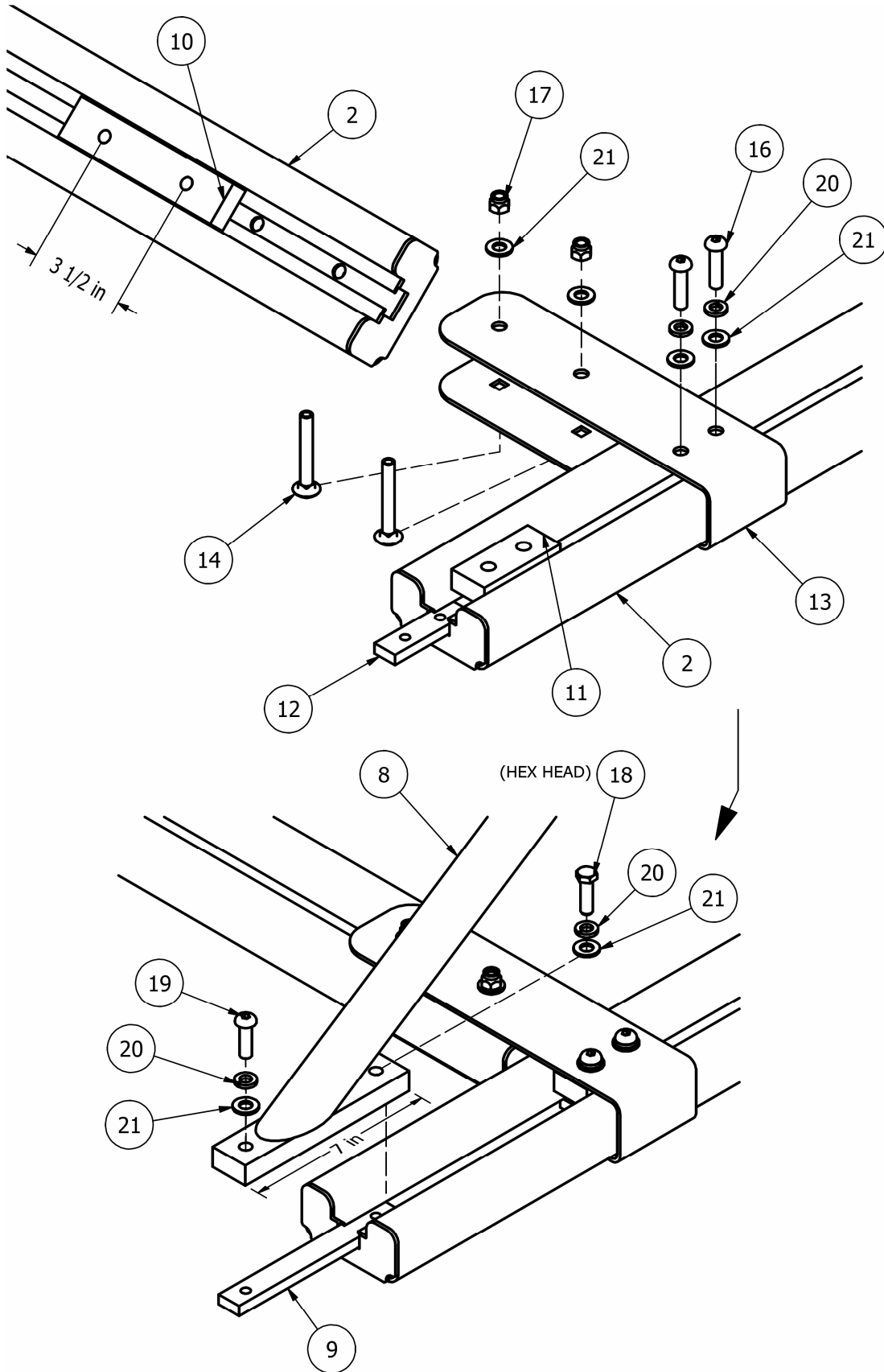
**Bottom Goal Assembly:**

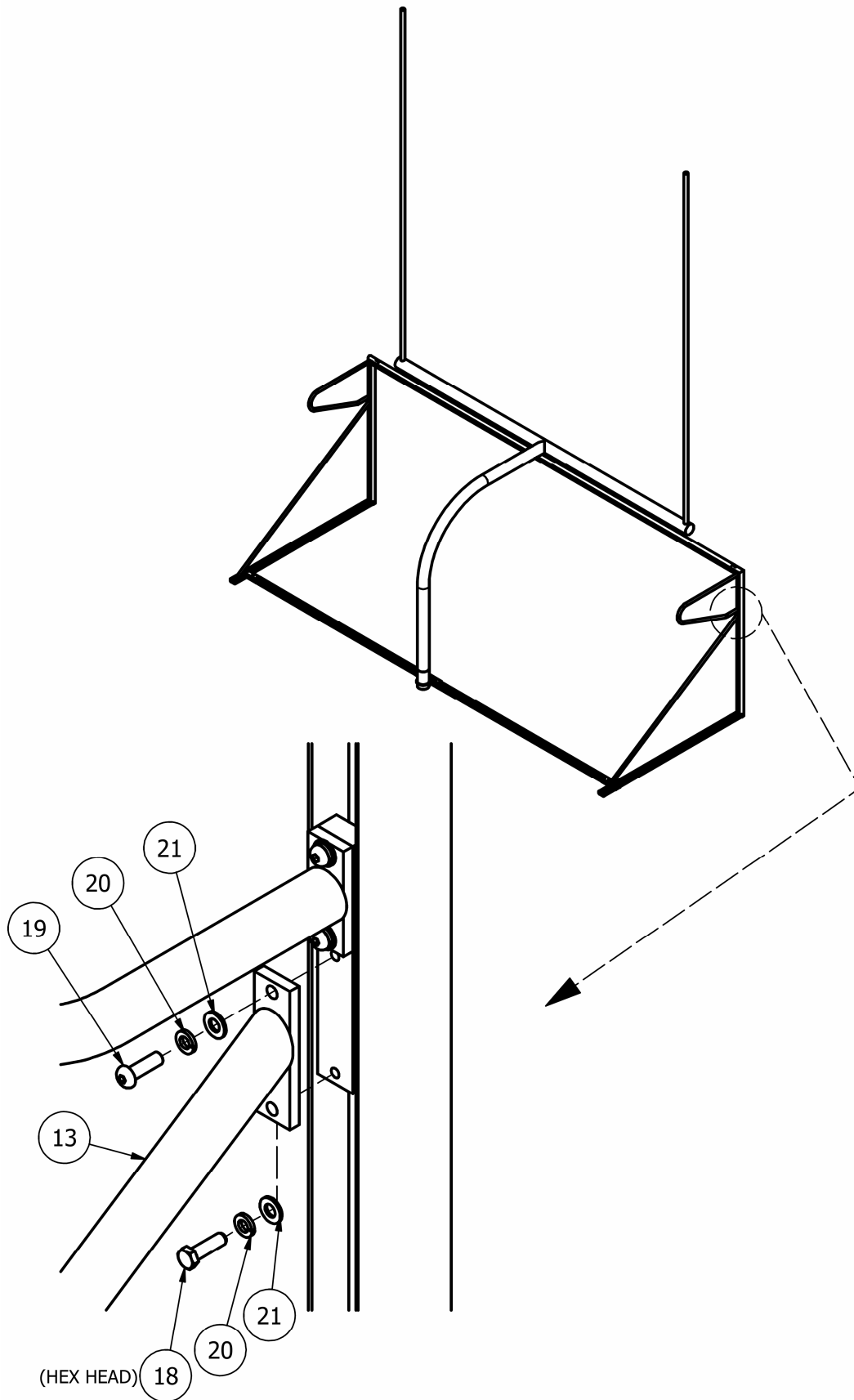
1. Stand front of soccer goal into the upright position. One person should securely hold the face of the goal in position.
  - a. **Note:** If wheel kit is to be installed, slide nut bars for wheel kit into each base member.
2. Slide one 3-1/4" long nut bar (12) into each base member.
3. Assemble rear soccer crossbar to goal base member as shown, install hardware loosely.
4. Adjust rear crossbar location as needed and secure hardware.
5. Install auxiliary soccer backstay, line up 7" long nut bar (9). Note if the plates don't line up, flip the auxiliary soccer backstay. Install hardware loosely; once parts are aligned tighten all hardware.

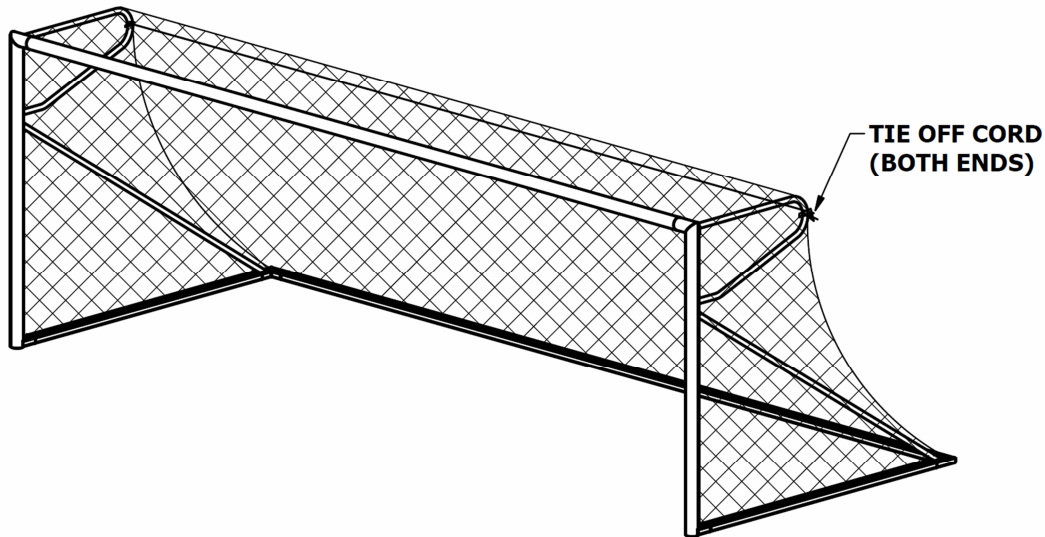
**Anchor goal:**

6. It is highly recommended that the rear crossbar be secured to the base of the goalpost with a soccer / football goal anchor kit. The correct SFGA kit depends on the size of the football gooseneck (see additional installation instructions for SFGA kit).









### **Final Adjustments:**

- Checks to make sure the soccer goal frame is properly aligned and square. Securely tightened all button head and hex head hardware.
- With goal fully assembled attach the net using the “*Easy Clip*” net attachment system. Use a step ladder to attach the net to the crossbar. Once complete, move the goal into the final playing position.

### **IMPORTANT NOTICE**

The United States consumer product safety commission has adopted and published “*Guidelines For Movable Soccer Goal Safety*”. These guidelines offer information on the installation, use, and storage of full-size portable soccer goals and through these guidelines; it is the commission’s intent to help prevent serious injuries or death resulting from accidental soccer goal tip over.

Securely anchoring portable soccer goals, at all times, is one important and effective way to improve soccer goal safety. The proper selection of appropriate anchoring devices is dependent upon a number of factors and is unique to individual circumstances. Key elements to consider are:

- 1) Goal weight, inherent stability and type of construction;
- 2) Local field conditions and soil moisture content;
- 3) Expected usage level and overall degree of field supervision;
- 4) The need to relocate or remove the goal on a regular or continuing basis.

As a charter member of the **Coalition To Promote Soccer Goal Safety**, Jaypro endorses the efforts of the commission and others in this cause. Our trained sales staff is available to discuss the variety of goal anchors that we offer and to help you in making the best choice for your individual application.