

3/4" (#6) REBAR x 36"
 4 PLACES PER FOOTING
 REBAR HAS MAX. OF 3"
 CLEARANCE TO EDGE.
 REBAR IS TO BE TIED TOGETHER.
 (NOT INCLUDED, TO BE SUPPLIED
 BY INSTALLER)

GRADE LEVEL

6 inch CONCRETE PAD
 or DOUBLE 6 in CONCRETE BLOCKS

REV.	DESCRIPTION	DATE	BY

COPYRIGHT 2006
 JAYPRO SPORTS, LLC.
 ALL RIGHTS RESERVED

SPA-D-4
 4' EXTENDED DOUBLE
 BACKSTOP FOR RECTANGULAR
 AND FAN SHAPED BACKBOARDS

THIS PRINT IS THE PROPERTY OF JAYPRO SPORTS, LLC.
 AND MAY NOT BE REPRODUCED WITHOUT WRITTEN PERMISSION

www.jaypro.com



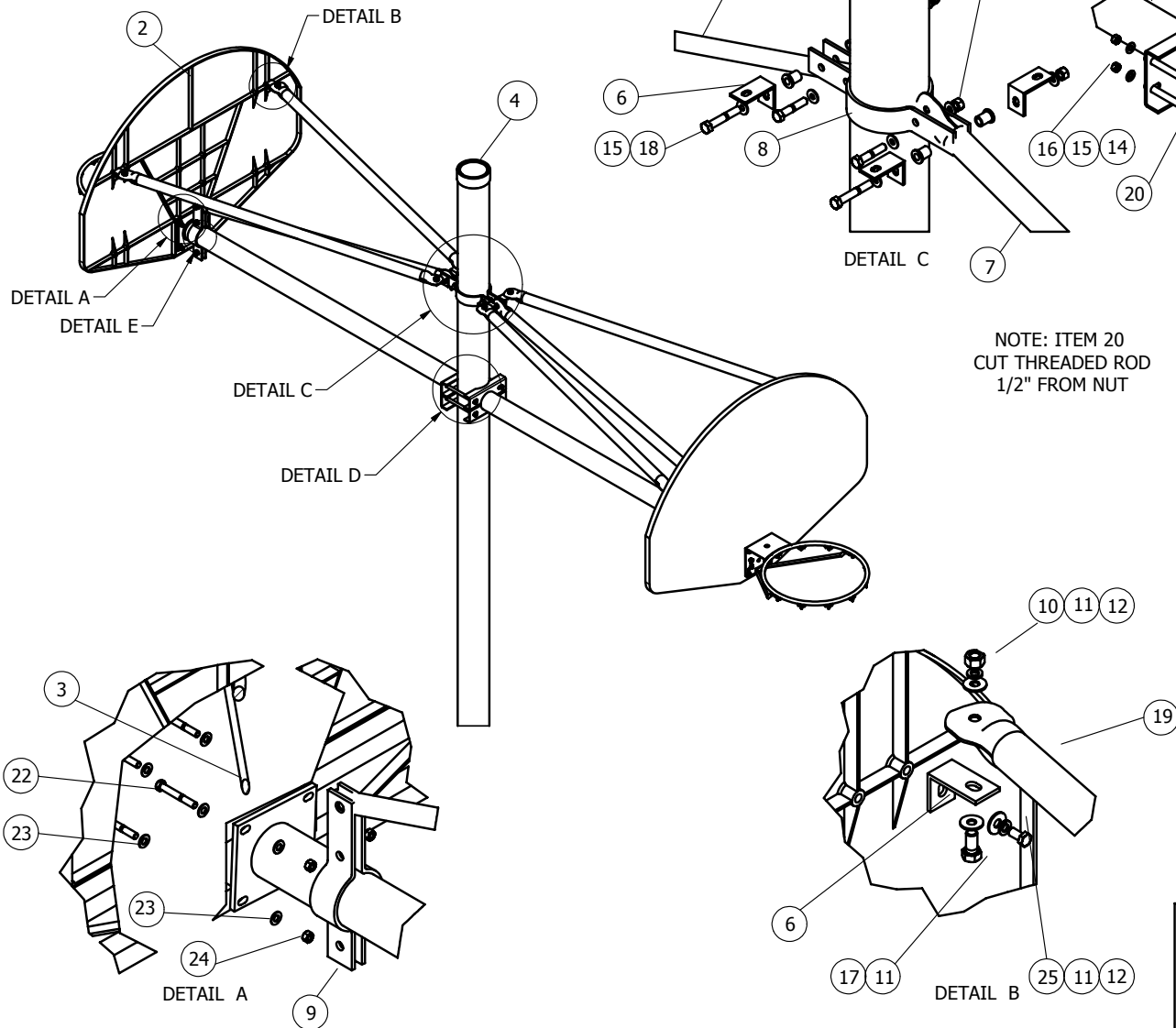
FAX: 800.444.1779 (SALES)
 860.440.0628 (ENG.)

PHONE: 800.243.0533 (TOLL FREE)
 860.447.3001 (LOCAL)

JAYPRO SPORTS, LLC, 976 HARTFORD TURNPIKE, WATERFORD, CT 06385 USA

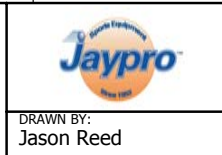
DRAWING NAME / PART NUMBER: 4Ft 850RB Footing Detail	
DRAWN BY: DC	ISSUE DATE: 6/12/2006
CHK'D BY: BTS	REV.
SHEET: 1 OF 1	A

REV	DESCRIPTION	DATE	BY
A	CHANGED HARDWARE	8/20/2010	DRL



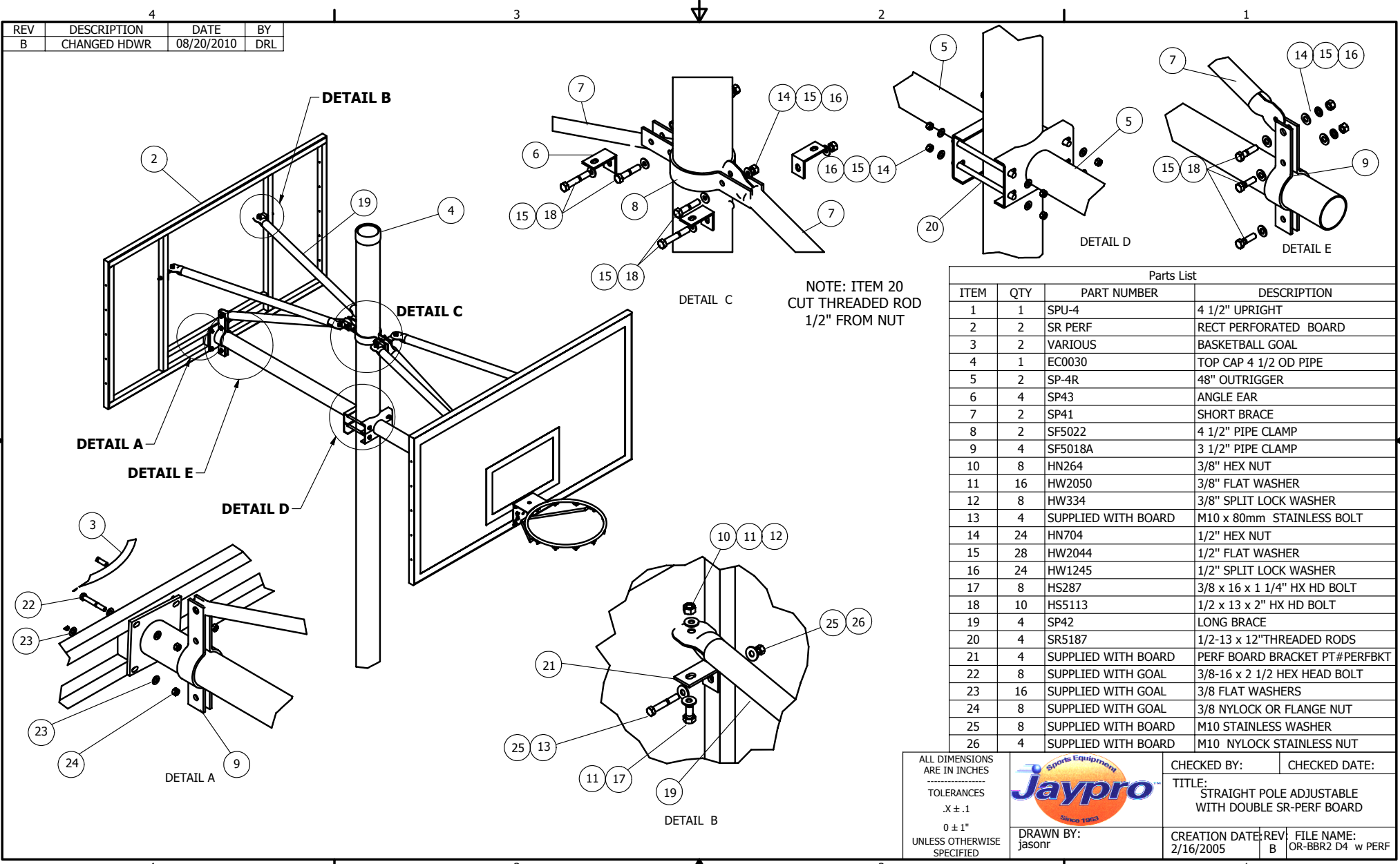
ITEM	QTY	PART NUMBER	DESCRIPTION
1	1	SPU-4	4 1/2" UPRIGHT
2	2	ALB-24BT	FAN ALUM BOARD w TARGET
3	2	VARIOUS	BASKETBALL GOAL
4	1	EC0030	TOP CAP 4 1/2" OD PIPE
5	2	SP-4R	48" OUTRIGGER
6	8	SP43	ANGLE EAR
7	2	SP41	SHORT BRACE
8	2	SF5022	4 1/2" PIPE CLAMP
9	4	SF5018A	3 1/2" PIPE CLAMP
10	8	HN264	3/8" HEX NUT
11	20	HW2050	3/8" FLAT WASHER
12	12	HW334	3/8" SPLIT LOCK WASHER
13			NOT USED
14	18	HN704	1/2" HEX NUT
15	28	HW2044	1/2" FLAT WASHER
16	18	HW1245	1/2" SPLIT LOCK WASHER
17	8	HS287	3/8 - 16 x 1 1/4" HX HD BOLT
18	10	HS5113	1/2 - 13 x 2" HX HD BOLT
19	4	SP42	LONG BRACE
20	4	SR5187	1/2-13 x 12" THREADED RODS
21			NOT USED
22	8	SUPPLIED WITH GOAL	3/8-16 x 2 1/2 HEX HEAD BOLT
23	16	SUPPLIED WITH GOAL	3/8 FLAT WASHERS
24	8	SUPPLIED WITH GOAL	3/8 NYLOCK OR FLANGE NUT
25	4	HS743	3/8-16 x 3/4" HX HD BOLT

ALL DIMENSIONS ARE IN INCHES
 TOLERANCES
 .X ± .1
 0 ± 1"
 UNLESS OTHERWISE SPECIFIED



CHECKED BY:	CHECKED DATE:
TITLE: STRAIGHT POLE ADJUSTABLE WITH 4' DOUBLE ALB-24 BACKBOARDS	
CREATION DATE: 11/21/2005	REV: A
FILE NAME: OR-BBR2 D4 w Fan D	

REV	DESCRIPTION	DATE	BY
B	CHANGED HDWR	08/20/2010	DRL



NOTE: ITEM 20
CUT THREADED ROD
1/2" FROM NUT

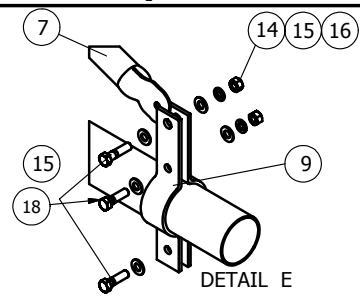
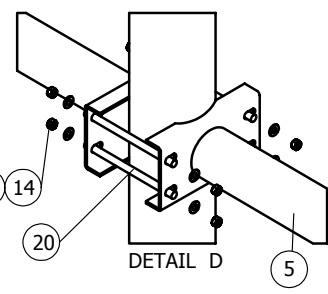
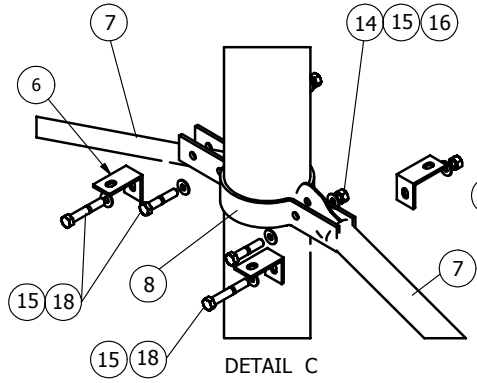
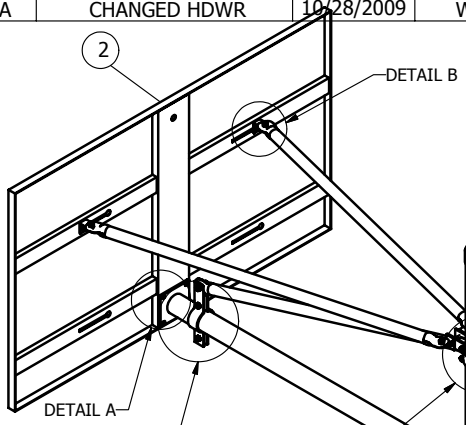
ALL DIMENSIONS
ARE IN INCHES
TOLERANCES
.X ± .1
0 ± 1"
UNLESS OTHERWISE
SPECIFIED



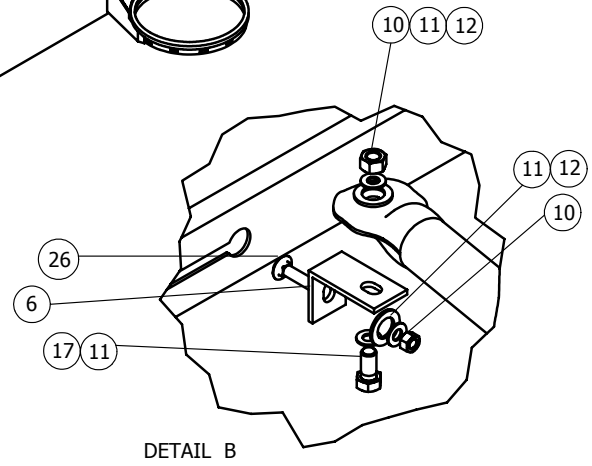
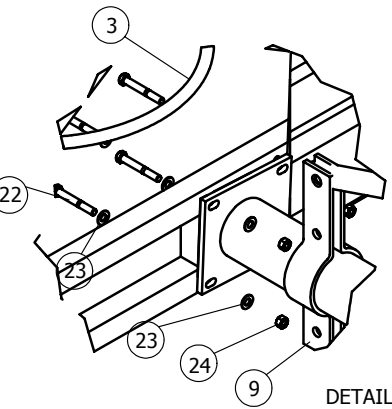
DRAWN BY:
jasonr

CHECKED BY:	CHECKED DATE:
TITLE: STRAIGHT POLE ADJUSTABLE WITH DOUBLE SR-PERF BOARD	
CREATION DATE: REV: 2/16/2005 B	FILE NAME: OR-BBR2 D4 w PERF

REV	DESCRIPTION	DATE	APPROVED
A	CHANGED HDWR	10/28/2009	WVB



NOTE: ITEM 20
CUT THREADED ROD
1/2" FROM NUT



Parts List

ITEM	QTY	PART NUMBER	DESCRIPTION
1	1	SPU-4	4 1/2" UPRIGHT
2	2	850-RB-BB	42" STEEL BACKBOARD
3	2	VARIOUS	BASKETBALL GOAL
4	1	EC0030	TOP CAP 4 1/2" OD PIPE
5	2	SP-4R	48" OUTRIGGER
6	8	SP43	ANGLE EAR
7	2	SP41	SHORT BRACE
8	2	SF5022	4 1/2" PIPE CLAMP
9	4	SF5018A	3 1/2" PIPE CLAMP
10	12	HN264	3/8" HEX NUT
11	20	HW2050	3/8" FLAT WASHER
12	12	HW334	3/8" SPLIT LOCK WASHER
13			NOT USED
14	18	HN704	1/2" HEX NUT
15	28	HW2044	1/2" FLAT WASHER
16	18	HW1245	1/2" SPLIT LOCK WASHER
17	8	HS287	3/8 - 16 x 1 1/4" HX HD BOLT
18	10	HS5113	1/2 - 13 x 2" HX HD BOLT
19	4	SP42	LONG BRACE
20	4	SR5187	1/2-13 x 12" THREADED RODS
21			NOT USED
22	8	SUPPLIED WITH GOAL	3/8-16 x 2 1/2 HEX HEAD BOLT
23	16	SUPPLIED WITH GOAL	3/8 FLAT WASHERS
24	8	SUPPLIED WITH GOAL	3/8 NYLOCK OR FLANGE NUT
25			NOT USED
26	4	HB5031	3/8-16 x 1 1/2" CARRIAGE BOLT ZP

ALL DIMENSIONS
ARE IN INCHES
TOLERANCES
.X ± .1
0 ± 1"
UNLESS OTHERWISE
SPECIFIED



CHECKED BY: _____ CHECKED DATE: _____
TITLE: STRAIGHT POLE ADJUSTABLE
WITH 4' DOUBLE 850RB-BB BACKBOARDS

DRAWN BY:
Jason Reed

CREATION DATE: 11/21/2005 REV: A FILE NAME: OR-BBR2 D4 w 850RB-BB