


RECOMMEND:
 1/2" - 3/4" REBAR x 36" 4 PLACES
 REBAR TO BE TIED TOGETHER
 (TO BE SUPPLIED BY INSTALLER)

ALL DIMENSIONS ARE IN INCHES ----- TOLERANCES .X ± .1 0 ± 1" UNLESS OTHERWISE SPECIFIED		CHECKED BY: WVB CHECKED DATE:		
		TITLE: SPA-S-4 4' EXTENDED SINGLE BACKSTOP FOR RECTANGULAR AND FAN SHAPED BACKBOARDS		
	DRAWN BY: DRL	CREATION DATE: 11/9/2009	REV: A	FILE NAME: SPA-S-4

4

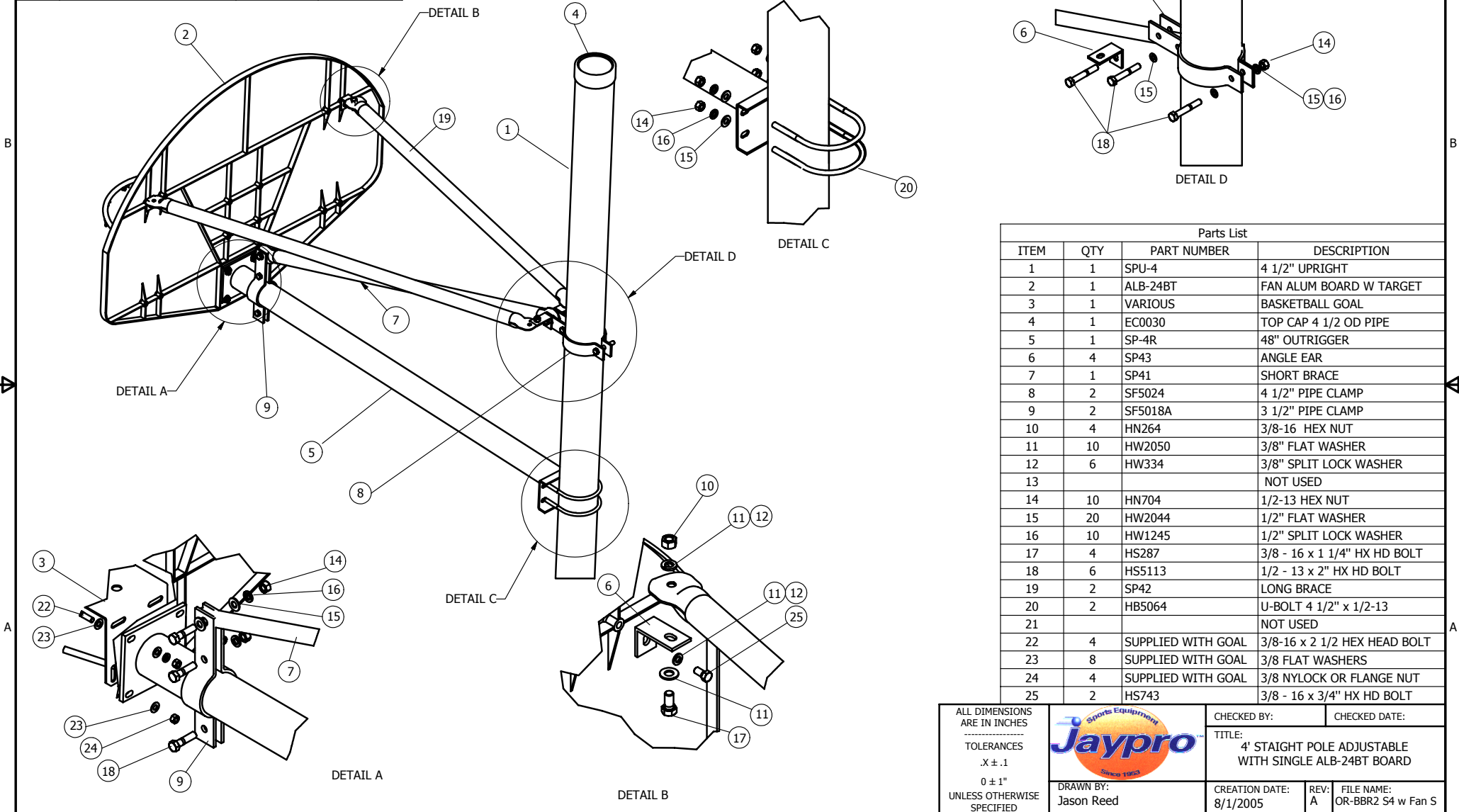
3

2

1

REVISION HISTORY

REV	DESCRIPTION	DATE	APPROVED
A	CHANGED HDWR	10/26/2009	WVB



Parts List

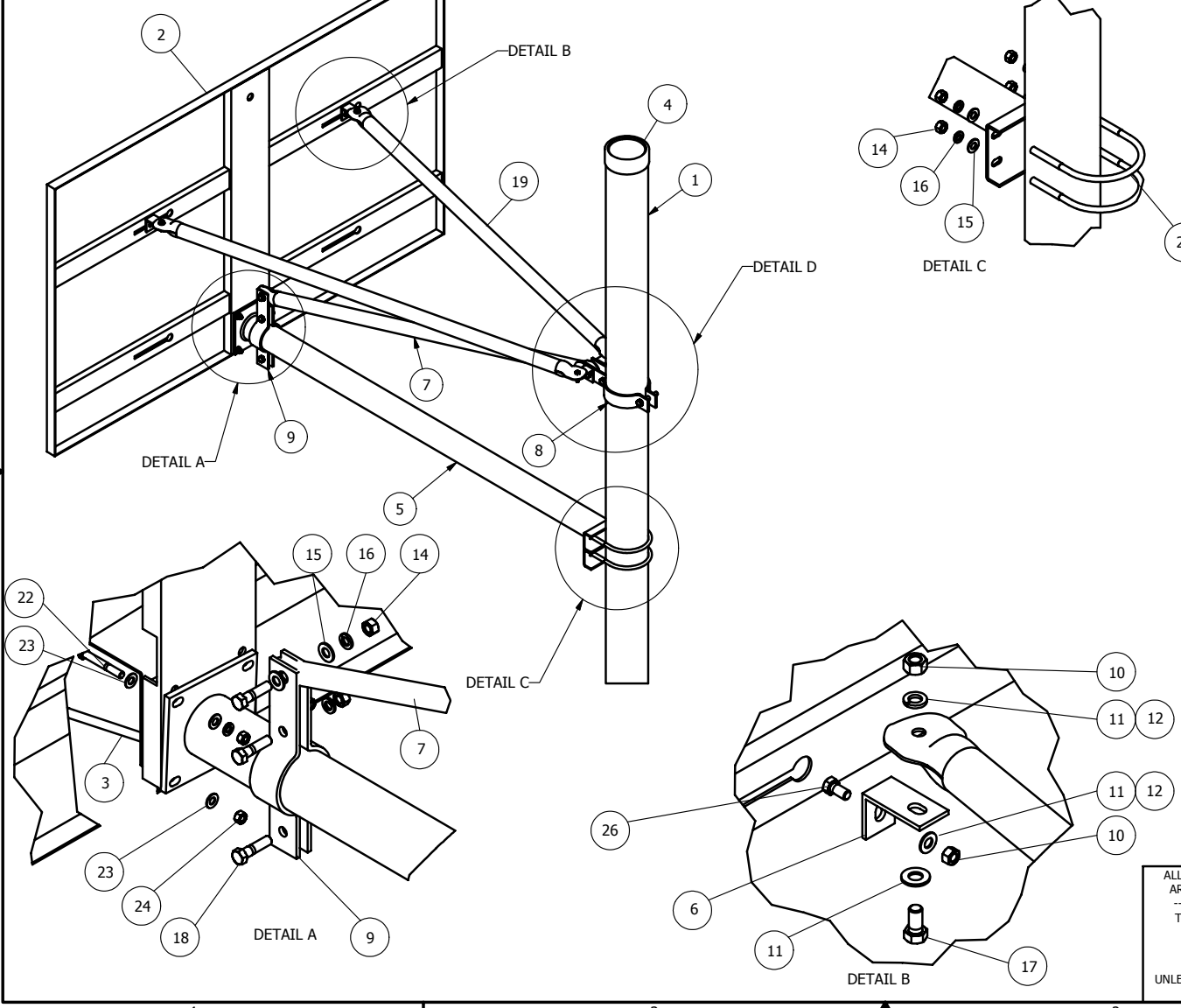
ITEM	QTY	PART NUMBER	DESCRIPTION
1	1	SPU-4	4 1/2" UPRIGHT
2	1	ALB-24BT	FAN ALUM BOARD W TARGET
3	1	VARIOUS	BASKETBALL GOAL
4	1	EC0030	TOP CAP 4 1/2 OD PIPE
5	1	SP-4R	48" OUTRIGGER
6	4	SP43	ANGLE EAR
7	1	SP41	SHORT BRACE
8	2	SF5024	4 1/2" PIPE CLAMP
9	2	SF5018A	3 1/2" PIPE CLAMP
10	4	HN264	3/8-16 HEX NUT
11	10	HW2050	3/8" FLAT WASHER
12	6	HW334	3/8" SPLIT LOCK WASHER
13			NOT USED
14	10	HN704	1/2-13 HEX NUT
15	20	HW2044	1/2" FLAT WASHER
16	10	HW1245	1/2" SPLIT LOCK WASHER
17	4	HS287	3/8 - 16 x 1 1/4" HX HD BOLT
18	6	HS5113	1/2 - 13 x 2" HX HD BOLT
19	2	SP42	LONG BRACE
20	2	HB5064	U-BOLT 4 1/2" x 1/2-13
21			NOT USED
22	4	SUPPLIED WITH GOAL	3/8-16 x 2 1/2 HEX HEAD BOLT
23	8	SUPPLIED WITH GOAL	3/8 FLAT WASHERS
24	4	SUPPLIED WITH GOAL	3/8 NYLOCK OR FLANGE NUT
25	2	HS743	3/8 - 16 x 3/4" HX HD BOLT

ALL DIMENSIONS ARE IN INCHES
 TOLERANCES .X ± .1
 0 ± 1"
 UNLESS OTHERWISE SPECIFIED



CHECKED BY:	CHECKED DATE:
TITLE: 4' STAIGHT POLE ADJUSTABLE WITH SINGLE ALB-24BT BOARD	
DRAWN BY: Jason Reed	CREATION DATE: 8/1/2005
REV: A	FILE NAME: OR-BBR2 S4 w Fan S

REVISION HISTORY			
REV	DESCRIPTION	DATE	APPRO
A	CHANGED HDWR	10/23/2009	WVB



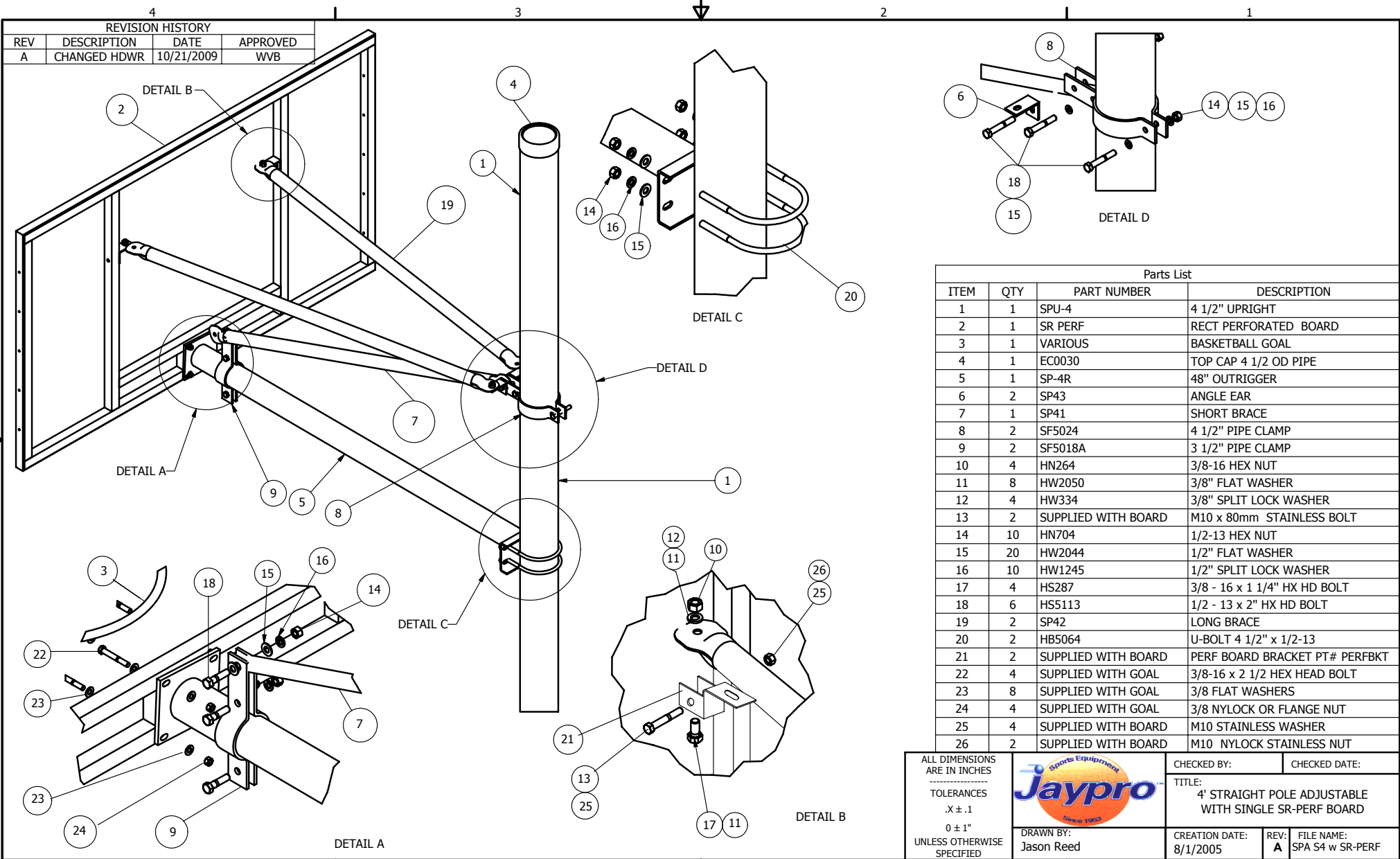
Parts List			
ITEM	QTY	PART NUMBER	DESCRIPTION
1	1	SPU-4	4 1/2" UPRIGHT
2	1	850RB-BB	42" STEEL BACKBOARD
3	1	VARIOUS	BASKETBALL GOAL
4	1	EC0030	TOP CAP 4 1/2 OD PIPE
5	1	SP-4R	48" OUTRIGGER
6	4	SP43	ANGLE EAR
7	1	SP41	SHORT BRACE
8	2	SF5024	4 1/2" PIPE CLAMP
9	2	SF5018A	3 1/2" PIPE CLAMP
10	6	HN264	3/8-16 HEX NUT
11	10	HW2050	3/8" FLAT WASHER
12	6	HW334	3/8" SPLIT LOCK WASHER
13			NOT USED
14	10	HN704	1/2-13 HEX NUT
15	20	HW2044	1/2" FLAT WASHER
16	10	HW1245	1/2" SPLIT LOCK WASHER
17	4	HS287	3/8 - 16 x 1 1/4" HX HD BOLT
18	6	HS5113	1/2 - 13 x 2" HX HD BOLT
19	2	SP42	LONG BRACE
20	2	HB5064	U-BOLT 4 1/2" x 1/2-13
21			NOT USED
22	4		SUPPLIED WITH GOAL 3/8-16 x 2 1/2 HEX HEAD BOLT
23	8		SUPPLIED WITH GOAL 3/8 FLAT WASHERS
24	4		SUPPLIED WITH GOAL 3/8 NYLOCK OR FLANGE NUT
25			NOT USED
26	2	HB5031	3/8-16 x 1 1/2" CARRIAGE BOLT ZP

ALL DIMENSIONS ARE IN INCHES
 TOLERANCES .X ± .1
 0 ± 1"
 UNLESS OTHERWISE SPECIFIED




DRAWN BY:
Jason Reed

CHECKED BY:	CHECKED DATE:
TITLE: 4' STRIAIGHT POLE ADJUSTABLE WITH SINGLE 850RB-BB BOARD	
CREATION DATE: 7/29/2005	REV: A
FILE NAME: SPA S4 w 850RB-BB	



REVISION HISTORY			
REV	DESCRIPTION	DATE	APPROVED
A	CHANGED HDWR	10/21/2009	WVB

Parts List			
ITEM	QTY	PART NUMBER	DESCRIPTION
1	1	SPU-4	4 1/2" UPRIGHT
2	1	SR PERF	RECT PERFORATED BOARD
3	1	VARIOUS	BASKETBALL GOAL
4	1	EC0030	TOP CAP 4 1/2 OD PIPE
5	1	SP-4R	48" OUTRIGGER
6	2	SP43	ANGLE EAR
7	1	SP41	SHORT BRACE
8	2	SF5024	4 1/2" PIPE CLAMP
9	2	SF5018A	3 1/2" PIPE CLAMP
10	4	HN264	3/8-16 HEX NUT
11	8	HW2050	3/8" FLAT WASHER
12	4	HW334	3/8" SPLIT LOCK WASHER
13	2	SUPPLIED WITH BOARD	M10 x 80mm STAINLESS BOLT
14	10	HN704	1/2-13 HEX NUT
15	20	HW2044	1/2" FLAT WASHER
16	10	HW1245	1/2" SPLIT LOCK WASHER
17	4	HS287	3/8 - 16 x 1 1/4" HX HD BOLT
18	6	HS5113	1/2 - 13 x 2" HX HD BOLT
19	2	SP42	LONG BRACE
20	2	HB5064	U-BOLT 4 1/2" x 1/2-13
21	2	SUPPLIED WITH BOARD	PERF BOARD BRACKET PT# PERFBKT
22	4	SUPPLIED WITH GOAL	3/8-16 x 2 1/2 HEX HEAD BOLT
23	8	SUPPLIED WITH GOAL	3/8 FLAT WASHERS
24	4	SUPPLIED WITH GOAL	3/8 NYLOCK OR FLANGE NUT
25	4	SUPPLIED WITH BOARD	M10 STAINLESS WASHER
26	2	SUPPLIED WITH BOARD	M10 NYLOCK STAINLESS NUT

ALL DIMENSIONS ARE IN INCHES TOLERANCES .X ± .1 0 ± 1" UNLESS OTHERWISE SPECIFIED		CHECKED BY:	CHECKED DATE:
		TITLE: 4' STRAIGHT POLE ADJUSTABLE WITH SINGLE SR-PERF BOARD	
DRAWN BY: Jason Reed	CREATION DATE: 8/1/2005	REV: A	FILE NAME: SPA S4 w SR-PERF