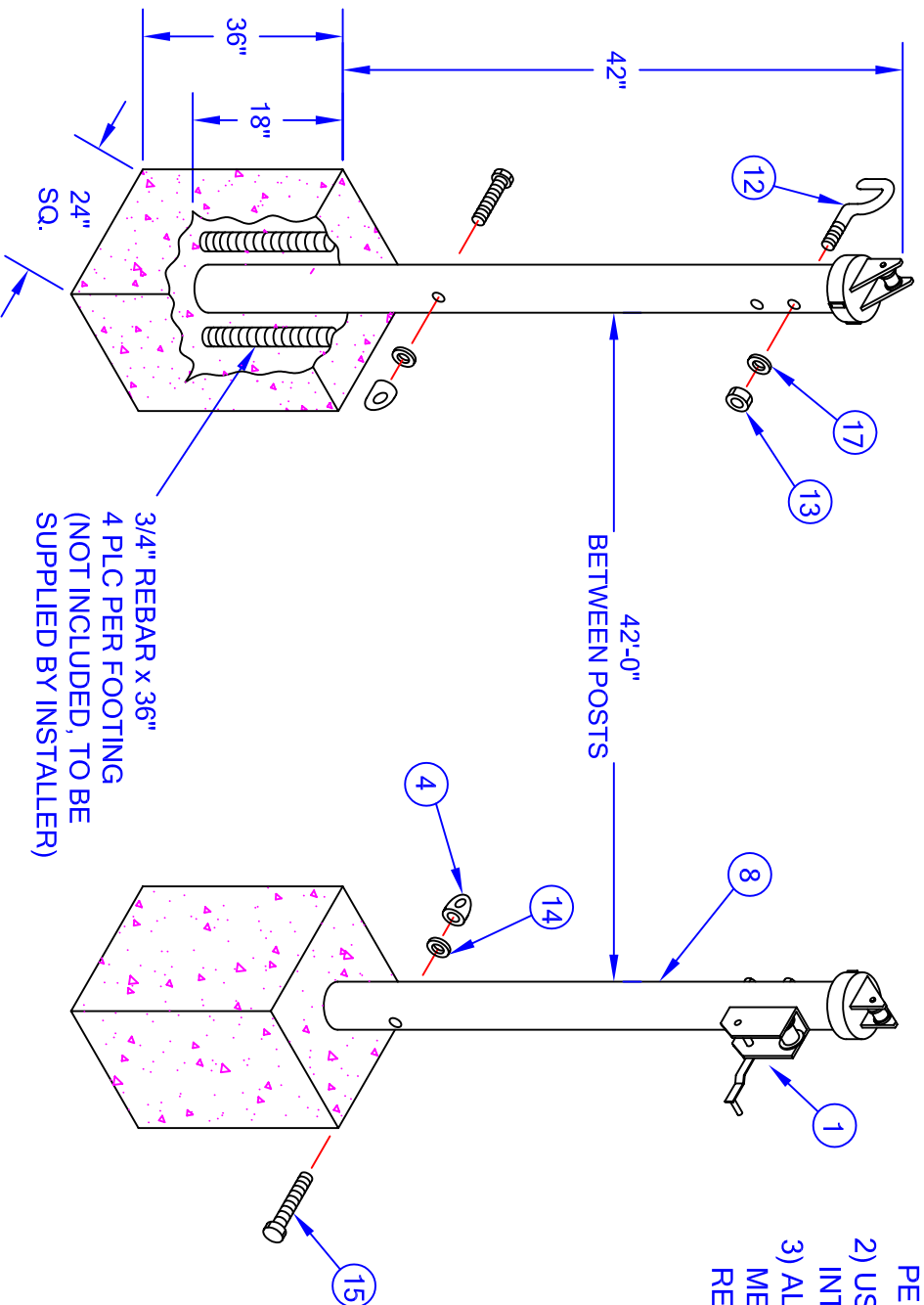


PLEASE NOTE:

- 1) FOR SAFE OPERATION AND CONTINUED HIGH PERFORMANCE FROM THIS EQUIPMENT, INSPECTION AND MAINTENANCE MUST BE PERFORMED BEFORE EACH USE
- 2) USE OF THIS EQUIPMENT OTHER THAN INTENDED, MAY BE HAZARDOUS.
- 3) ALTERATION OR MODIFICATION OF EQUIPMENT MAY BE HAZARDOUS. FOR REPAIR OR REPLACEMENT, PLEASE CALL YOUR DEALER



**SEE REVERSE SIDE
FOR PULLEY AND
BUCKLE ASSEMBLIES**

THESE ARE MINIMUM SUGGESTED DIMENSIONS FOR AVERAGE SOIL CONDITIONS.

NOTE: CONCRETE SPECIFIED SHOULD BE 4000# MIN. CURING TIME SHOULD BE 14 DAY MIN. BEFORE PUTTING INTO SERVICE.

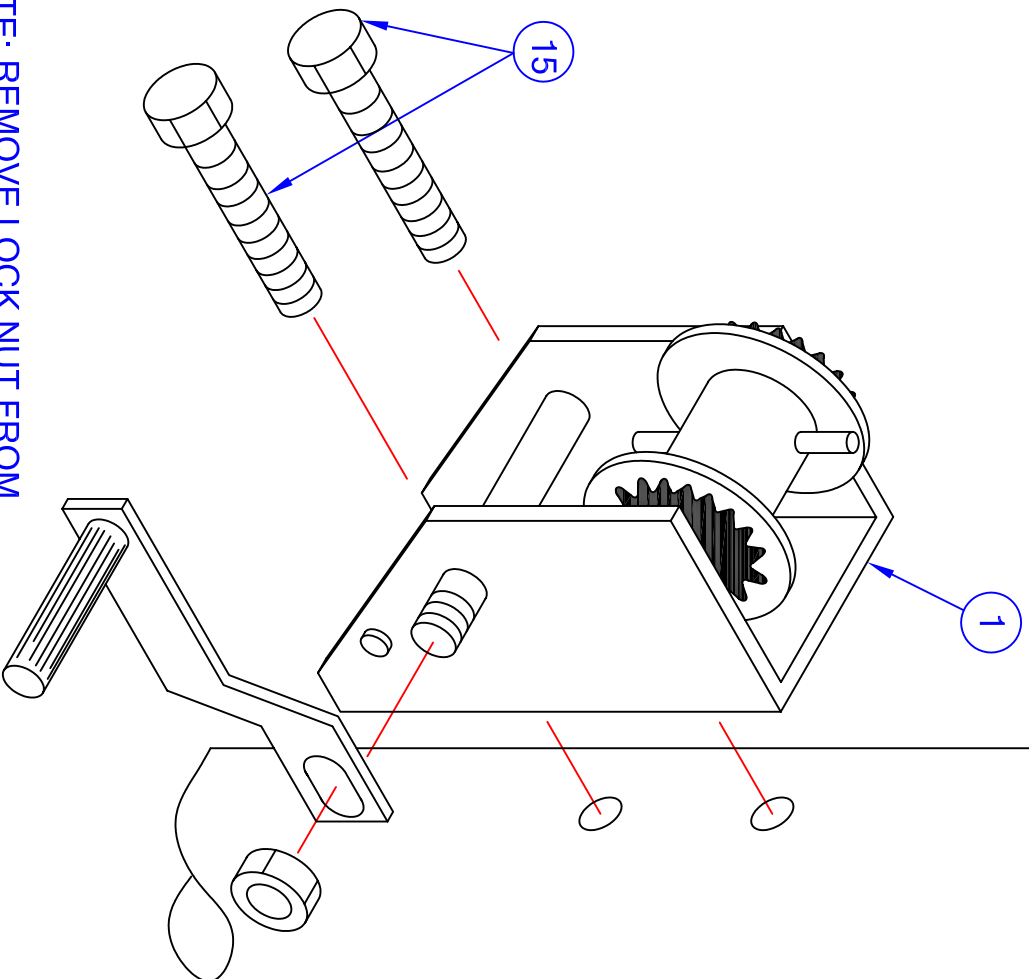
Jaypro Sports

976 Hartford Turnpike
Waterford, CT 06385 USA
(800)243-0533
(800)988-3363 Fax
www.jaypro.com

MODEL NO.:
TPGS-35

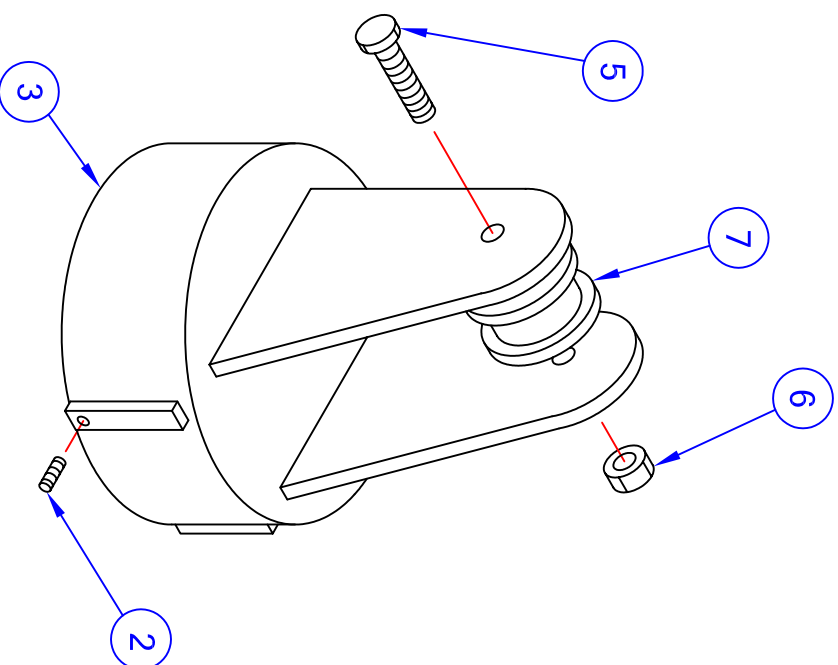
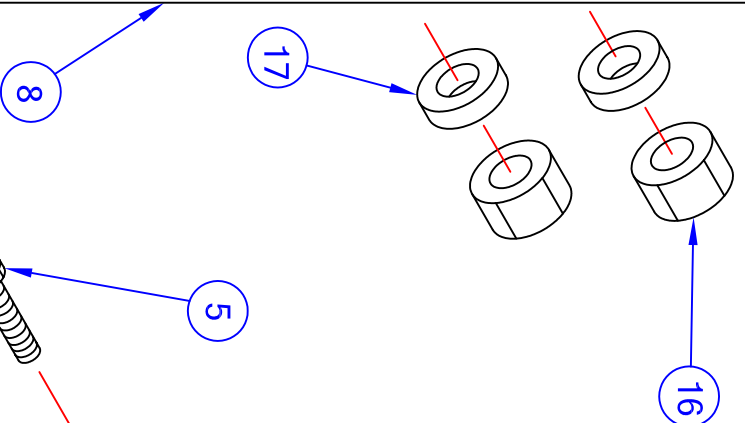
PRODUCT NAME:
PERMANENT AND SEMI-PERMANENT
TENNIS POSTS

DRAWN BY: JAC **EFFECTIVE DATE:** 4-23-03



NOTE: REMOVE LOCK NUT FROM RATCHET WHEEL (1) TO ASSEMBLE HANDLE.

CAUTION: DO NOT RELEASE HANDLE UNLESS RATCHET PAWL IS PROPERLY ENGAGED. DO NOT DISENGAGE RATCHET PAWL UNLESS TENSION IS APPLIED TO HANDLE. FAILURE TO OBSERVE THESE CAUTIONS WILL CAUSE HANDLE TO SPIN OUT OF CONTROL AND COULD CAUSE PERSONAL INJURY.



Jaypro Sports

976 Hartford Turnpike
 Waterford, CT 06385 USA
 (800)243-0533
 (800)988-3363 Fax
 www.jaypro.com

MODEL NO.:
TPGS-35

PRODUCT NAME:

PULLEY AND BUCKLE ASSEMBLIES

DRAWN BY: JAC

EFFECTIVE DATE:
 6-23-03

JAYPRO SPORTS
GALVANIZED TENNIS POSTS, TPGS-35
LIST OF MATERIALS

<u>PIECE NO.</u>	<u>PART NO.</u>	<u>DESCRIPTION</u>	<u>QTY.</u>
1	RT-5	RATCHET WHEEL WITH HANDLE	1
2	HS324	SET SCREW 3/8"-16 x 1/2"	4
3	AF71A	PULLEY CAP	2
4	HN2949	EYENUT 3/8"-16	2
5	05319	HEX HEAD SCREW 1/4"-20 x 2"	2
6	HN256	LOCK NUT 1/4"-20	2
7	AF737	PULLEY	2
8	TPGS351	UPRIGHT	2
12	HB852	U-BOLT 3/8"-16 x 4"	1
13	HN265	LOCK NUT 3/8"-16	1
14	HW337	LOCK WASHER 3/8"	2
15	HS856	HEX HEAD BOLT 3/8"-16 x 4"	4
16	HN1230	THIN LOCK NUT 1/2"-13	2
17	HW2047	FLAT WASHER 3/8"	3