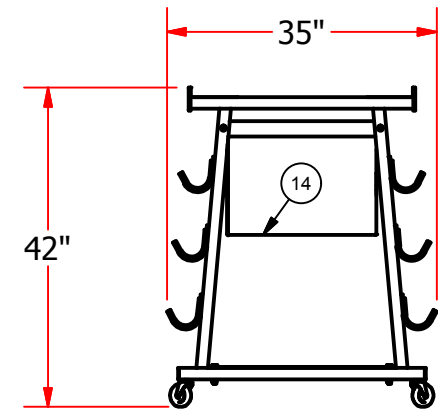



ITEM	QTY	DESCRIPTION
1	1	BOTTOM BRACE ASSEMBLY
2	2	END BAR
3	4	CASTERS 2-1/2"
4	2	SIDE ROD W/ QTY:2 THREADED INSERT FOR M6
5	4	FLAT WASHER 12mm
6	4	LOCK WASHER 12mm
7	4	HEX NUT M12
8	4	FLAT WASHER 8mm
9	4	HEX BOLT M8x55mm
10	4	LOCK NUT M8
11	4	THREADED INSERT M6
12	4	FLAT WASHER 6mm
13	4	HEX BOLT M6x75mm
14	1	VINYL CRIB
15	1	BOTTOM BOARD
16	2	END ASSEMBLY
17	4	GRIP TAPE
18	4	END CAP 1-1/2" SQUARE
19	12	FOAM PAD



 976 Hartford Turnpike Waterford, CT 06385 USA (800)243-0533 Fax: (800)988-3363 www.jaypro.com	MODEL NUMBER: VEC-1	CHECKED BY: WVB
	PRODUCT NAME: THREE SYSTEM VOLLEYBALL EQUIPMENT CART CARRIER	
DATE: 8/18/2011	REV: 5	DRAWN BY: Moune T.