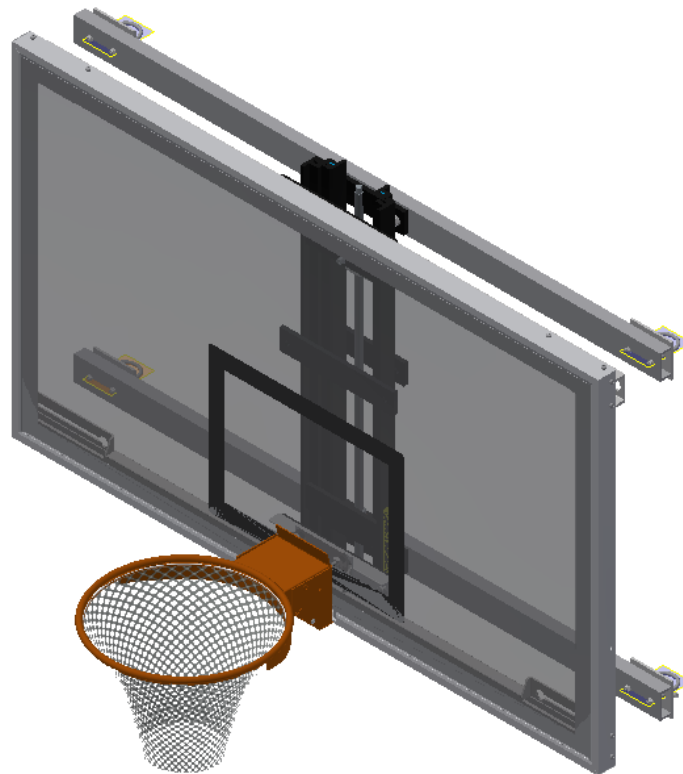




# MANUAL HEIGHT ADJUSTER AND BOARD KIT FOR DOUBLE DROP FRAME

---

MODEL: GBDD-AHA



## I. Introduction

This user guide describes how to assemble the Model GBDD-AHA Manual Height Adjuster and Board Kit for Double Drop H-Frame. These instructions are written for experienced mechanical contractors or technicians. If you need additional information or support to assemble you can reach the Jaypro Sports customer support team, Monday through Friday, 8 AM to 5 PM Eastern Time at 800-243-0533.

## II. Important Safety Precautions

- The Glass Backboard assembled with Height Adjuster weighs almost 400 pounds; proper lifting techniques should be followed.
- It is recommended that some type of mechanical lift be used to aid in the installation of the backboard to the backstop.
- Safety bolts are supplied for installation at the lower 2-3/8" U-Bolts (see Figure 9). It is important to the safety of players and others that these bolts be installed before the gym is opened to any use.
- Any use other than what is intended by the manufacturer can be dangerous.

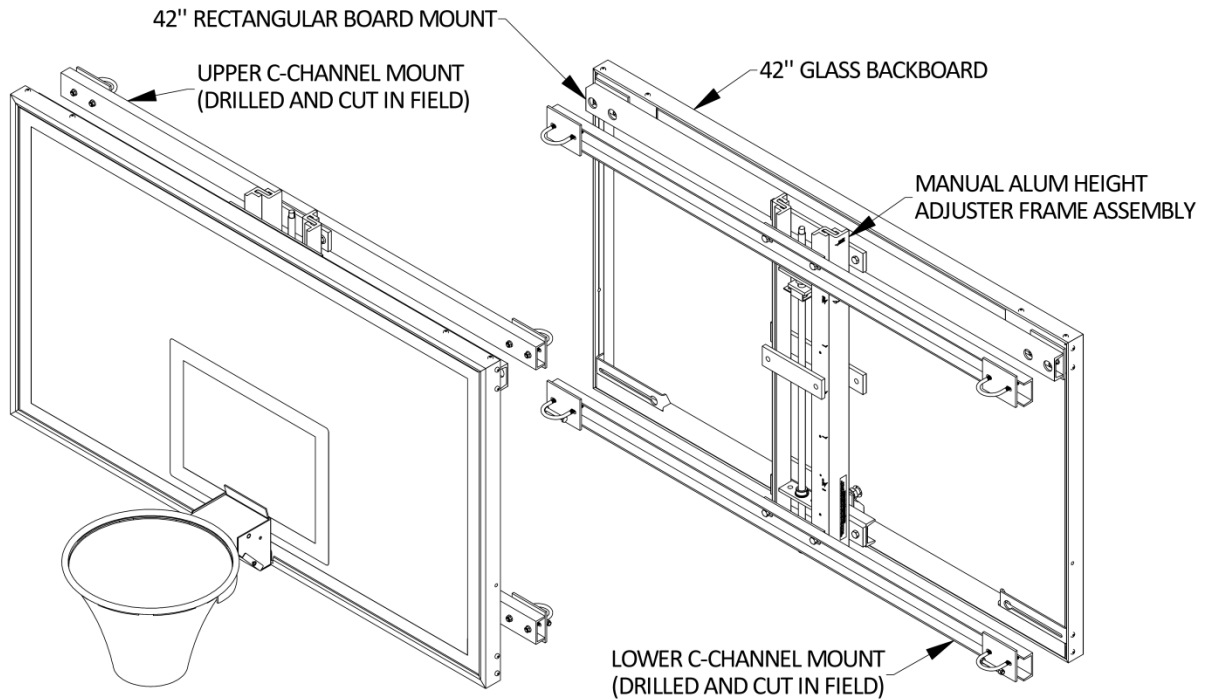
## III. Equipment and Materials

Gather the following user-supplied equipment.

- Wrenches and sockets 9/16 and 3/4 inch.
- Drill with 7/16 inch and 13/32 inch drill bits

## IV. Before You Start Assembly

1. Unpack all parts and check against parts list to ensure that all parts have been included.
2. Inspect all parts for damage. Report any damages to the trucking company.
3. Find an area that is clean and flat to start assembly.
4. Measure the distance between the H-Frames. The C-Channels will have to be drilled on site since this kit is designed to fit different manufacturers of backstops. (See Step 5 and Figure 3 for drilling instructions)



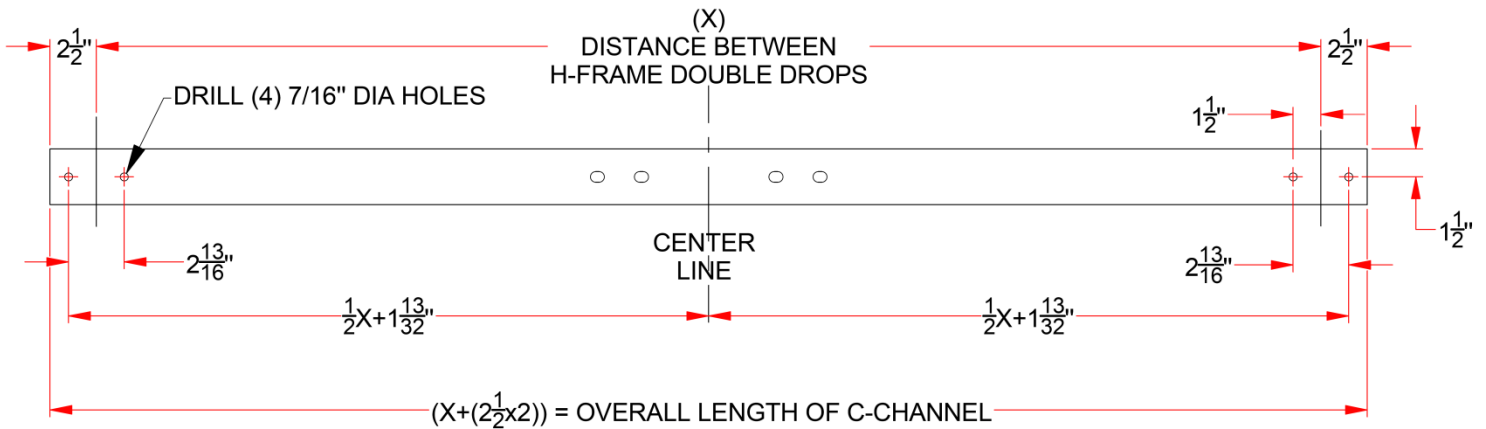
**FIGURE 1**  
**Front View**

**FIGURE 2**  
**Back View**

ITEM	QTY	DESCRIPTION
1	1	42" GLASS BACKBOARD
2	1	Breakaway Goal - Adjustable
3	1	MANUAL ALUM HEIGHT ADJUSTER FRAME ASSEMBLY
4	1	HEIGHT ADJUSTER DIRECT GOAL MOUNT
5	1	42" RECTANGULAR BOARD MOUNT
6	2	C-CHANNEL MOUNT DRILL IN FIELD
7	4	SPREADER PLATE
8	4	3/8"-16 x 1 1/2" CARRIAGE BOLT, ZP
9	4	2-3/8 in U-BOLT
10	2	3/8"-16 HEX HD LOCKNUT, ZP
11	8	1/2-13 FLANGE NUT
12	12	3/8"-16 FLANGE NUT
13	2	3/8"-16 x 3 in HEX HEAD BOLT
14	8	1/2-13 x 1-1/2 in HEX HEAD BOLT, GR 5

\*Hardware for installation of goal is supplied with goal.

## V. UPPER & LOWER C-CHANNEL (DRILL & CUT)



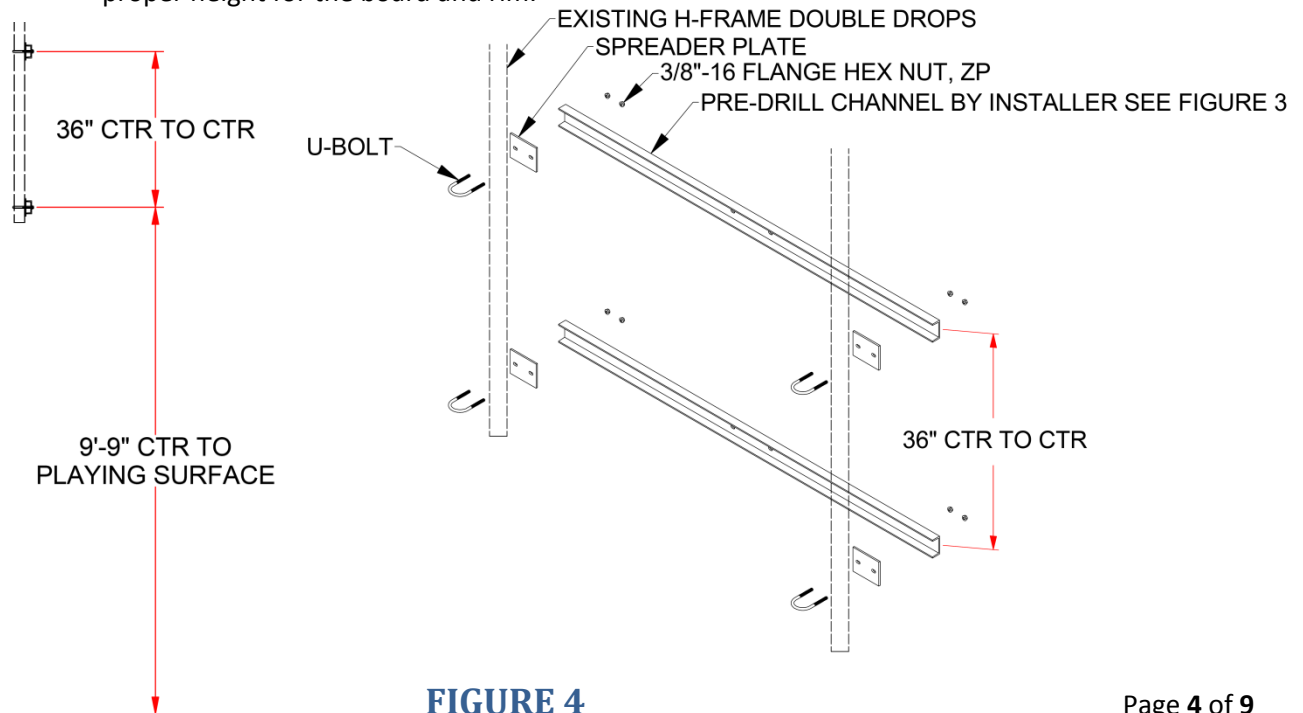
**FIGURE 3**

In preparing both top and bottom C-Channels for assembly, the four mounting holes will need to be pre-drilled with four 7/16 inch diameter holes, as shown above, to fit the existing H-Frame. The C-Channels may need to be trimmed, as well, to eliminate excess channel jutting out.

## VI. ASSEMBLE MAST SIDE

Attach the C-Channels to the H-Frame double drops as shown in figure 4. Using 3/8" flange nut and U-Bolt. Make sure the H-Frame double drops are between the U-Bolt and the spreader plate. To get the correct spacing between channels measure the distance between mounting plates on the height adjuster (note which side is labeled "Mast" side, see section VII).

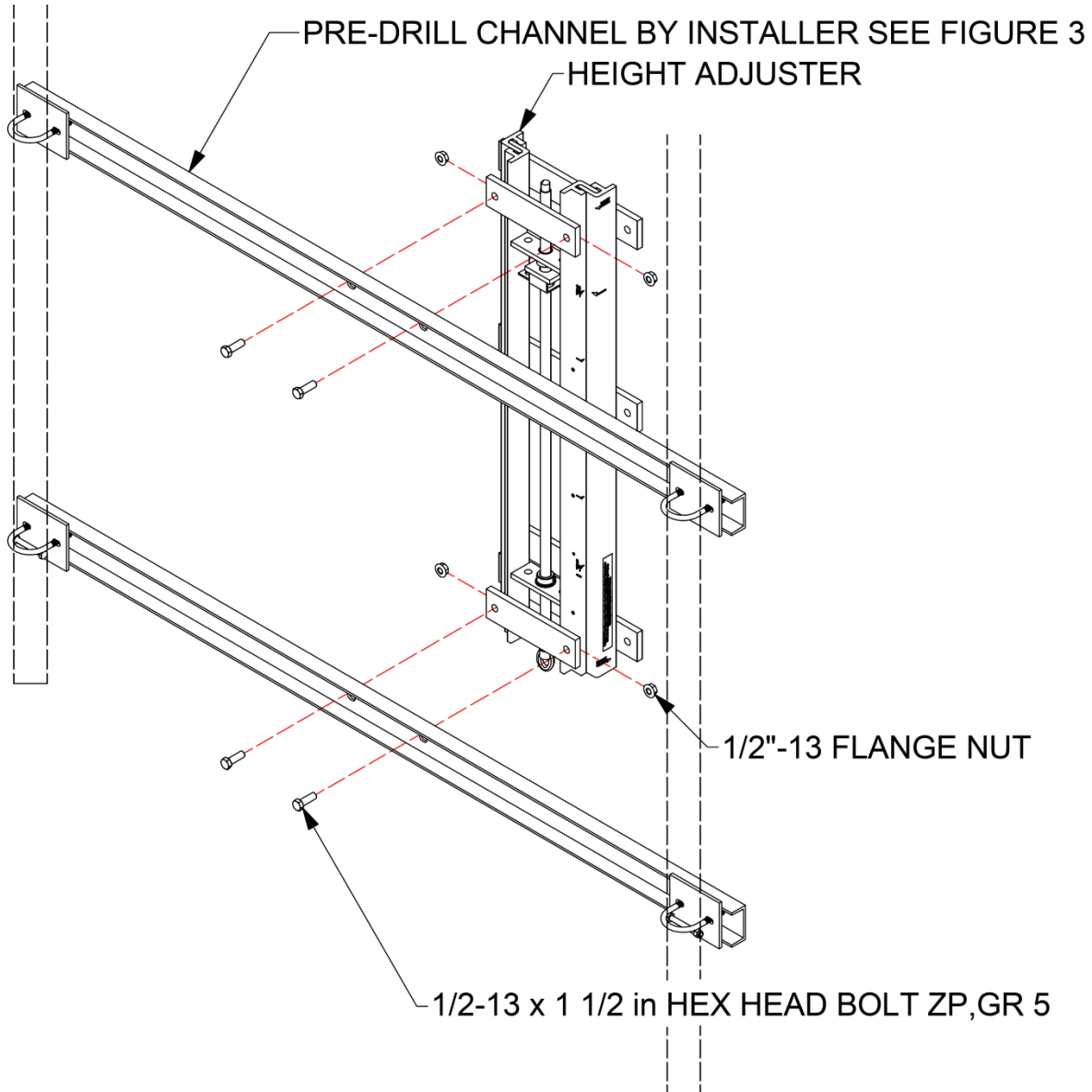
The center holes on the lower channel will need to be 9'-9" above the floor, to achieve the proper height for the board and rim.



**FIGURE 4**

## VII. ATTACH H-FRAME TO BACKSTOP

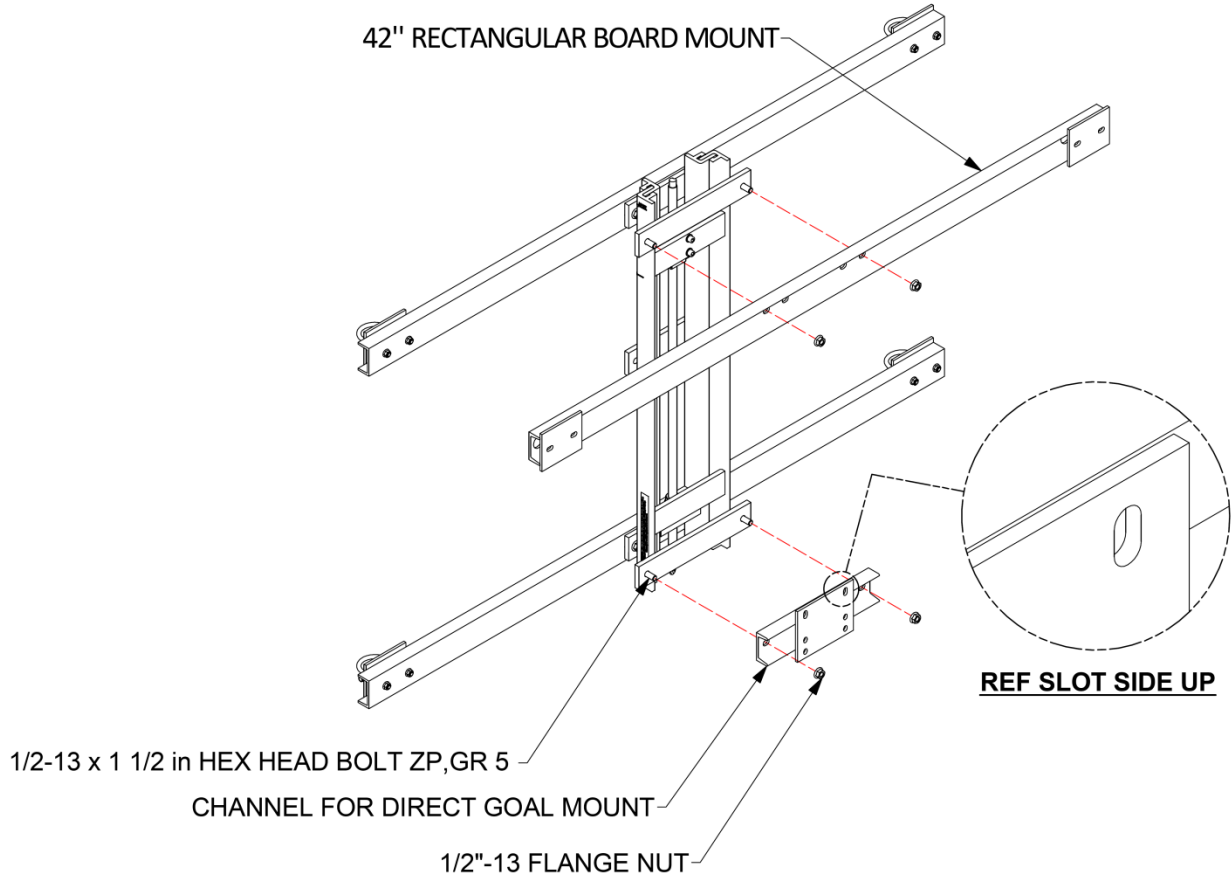
Note the Height Adjuster has labels that indicate to which side the height adjuster face the Bank (Backboard) and Mast are to be installed, along with 8 ft and 10 ft height marks to indicate bottom and top orientation. **Do not over tighten the hardware at this point.**



**FIGURE 5**

## VIII. ATTACH BOARD MOUNTS

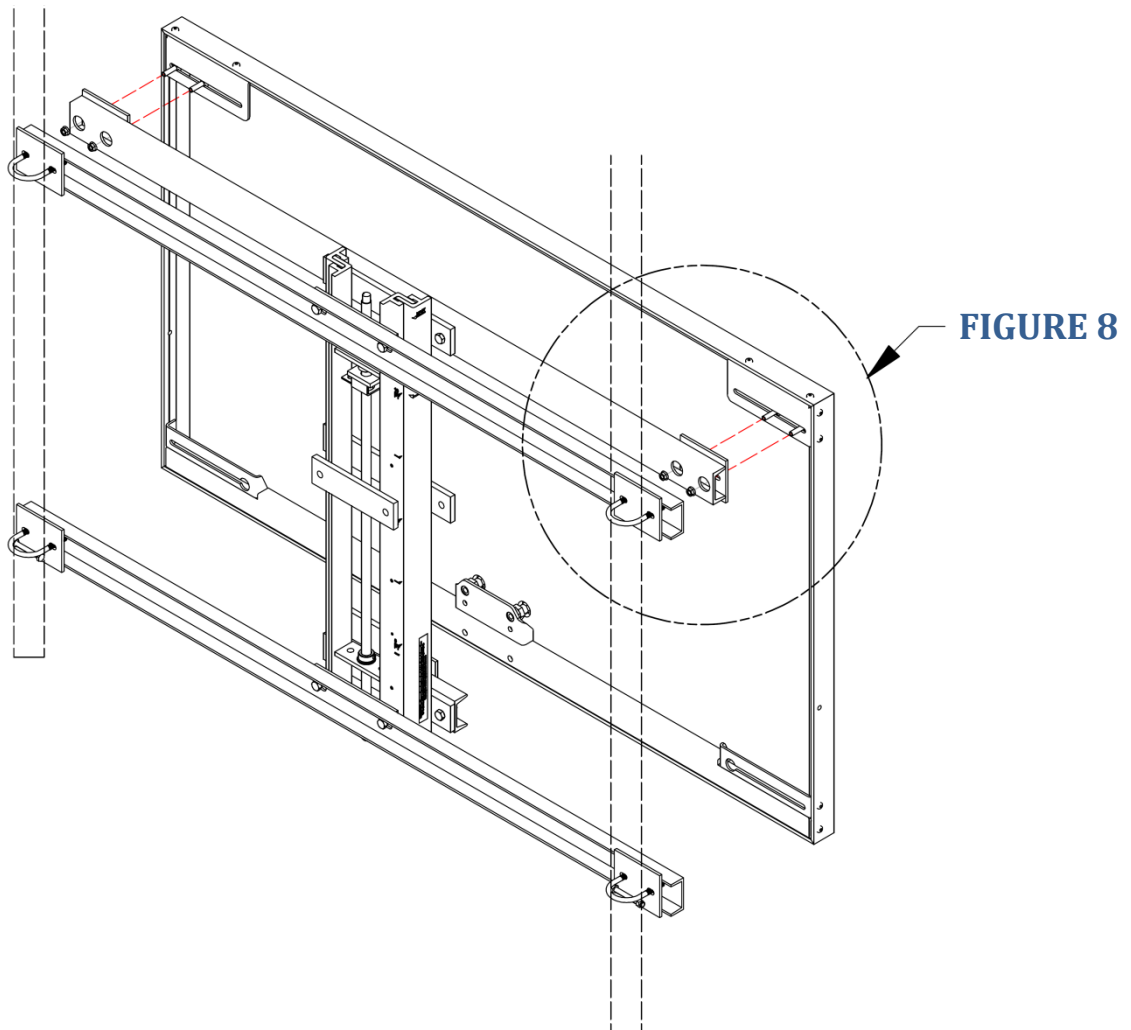
Use 1/2" hardware to assemble the board mounts to the height adjuster as show in Figure 6.



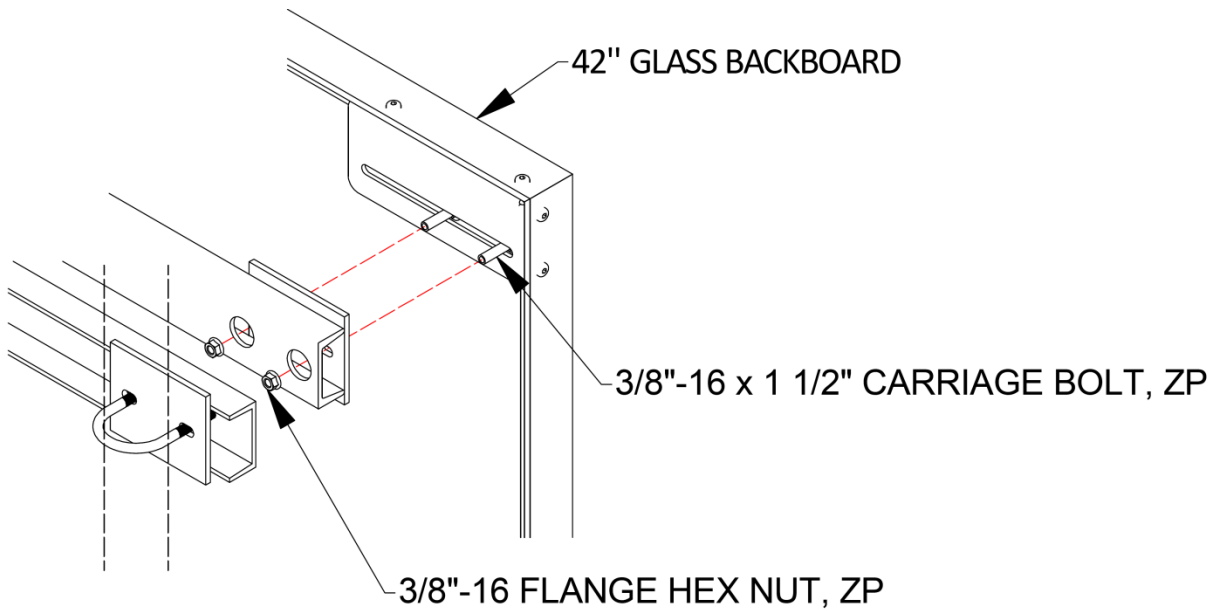
**FIGURE 6**

## IX. INSTALL BOARD & RIM

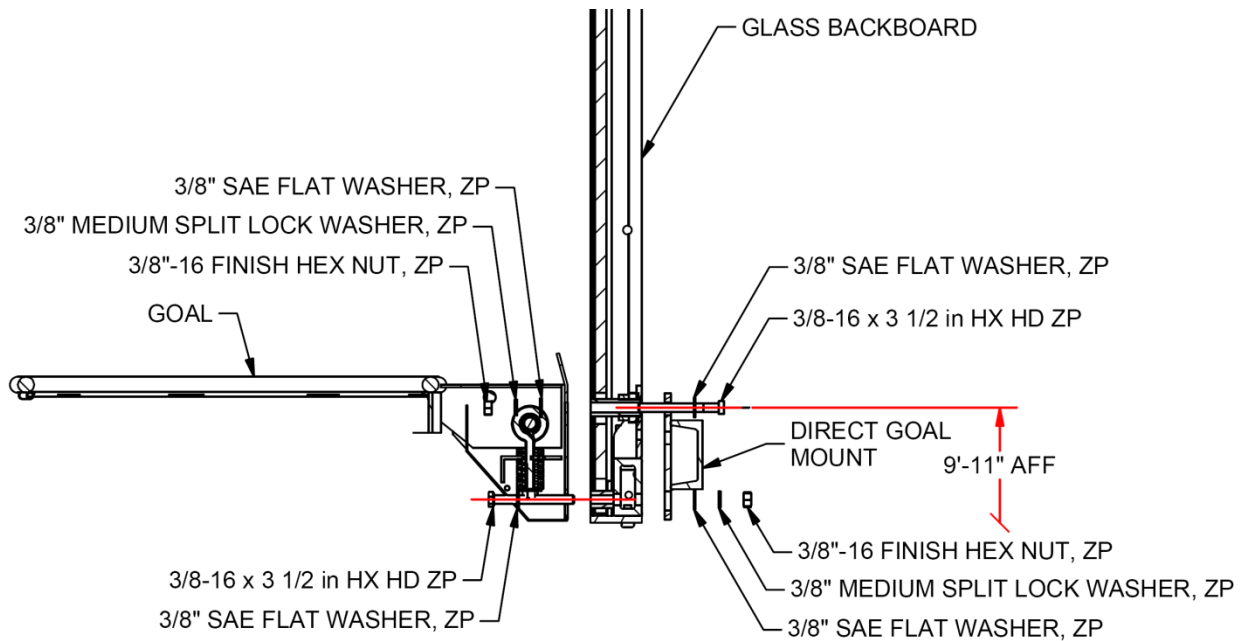
- a) Due to the combined weight of the Backboard and Height Adjuster it is recommended that the assembly be installed with the help of a mechanical lift and lift straps in order to protect the glass backboard. It is also recommended that the installation be done with the help of an additional person. Assemble the hardware as shown in Figure 8.
- b) With the Height Adjuster at the 10' mark the 42" glass backboard should be lifted up or down so that the top of the rim hole pattern is 9'-11" to the playing surface (see Figure 9).
- c) Assemble the goal to the board as shown in Figure 9. Level and Plumb the backboard.
- d) Tighten all nuts and hardware.
- e) See STEP X for instructions on the installation of the safety bolt.
- f) Crank the height adjuster down and up to insure that it is working properly.



**FIGURE 7**



**FIGURE 8**  
UPPER CORNER ASSEMBLY



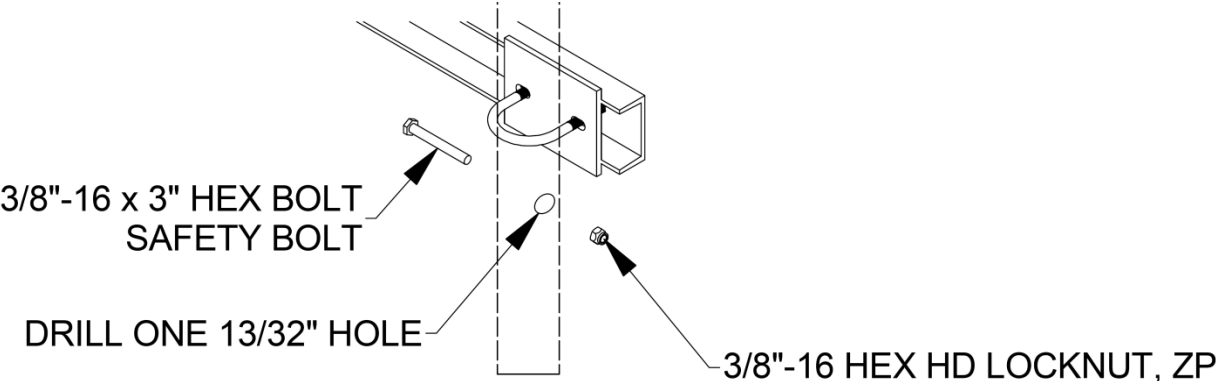
**FIGURE 9**

Assemble the Goal, Backboard and the Height Adjuster Goal Mount using the hardware supplied with the goal. (See Figure 9) Note the hardware orientation is different in the bottom from the top hardware.



## X. INSTALL SAFETY BOLT

Once the Height Adjuster and Glass Board have been installed onto the H-Frame, drill a 13/32 inch Diameter hole just below each of the lower U-Bolts. Install the Safety Bolts and Nut (see Figure 10). This is an important feature that should not be overlooked and failure to install may cause severe injuries. This must be done for both sides of the backboard.



**FIGURE 10**