

**PLEASE NOTE:**

- 1) FOR SAFE OPERATION AND CONTINUED HIGH PERFORMANCE FROM THIS EQUIPMENT, INSPECTION AND MAINTENANCE MUST BE PERFORMED BEFORE EACH USE
- 2) USE OF THIS EQUIPMENT OTHER THAN INTENDED, MAY BE HAZARDOUS.
- 3) ALTERATION OR MODIFICATION OF EQUIPMENT MAY BE HAZARDOUS. FOR REPAIR OR REPLACEMENT, PLEASE CALL YOUR DEALER

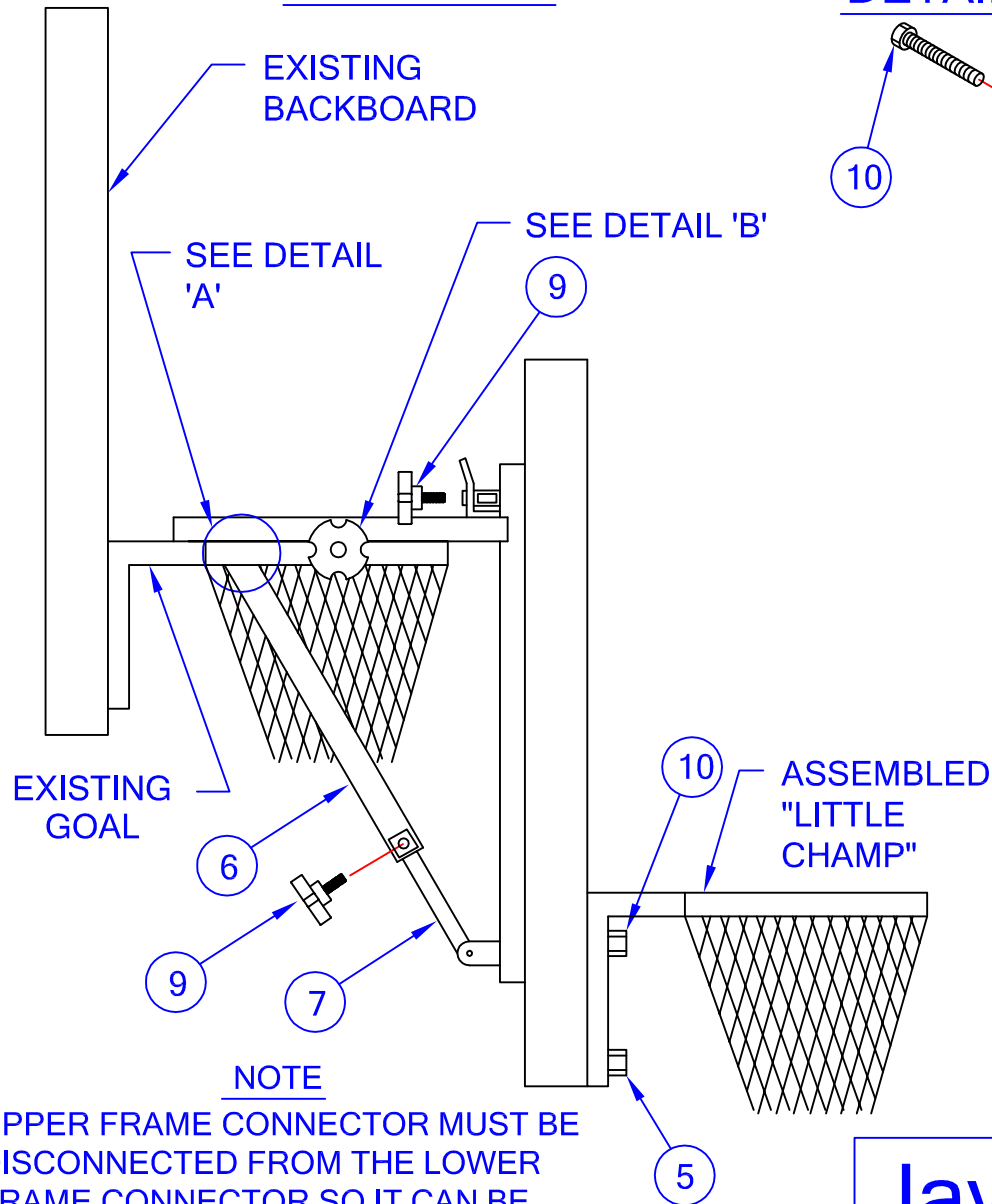
**CAUTION**

DO NOT ALLOW ANY PLAYER TO HANG FROM OR SLAM DUNK ON THIS GOAL. THIS IS DANGEROUS AND THE EXTRA WEIGHT MAY DAMAGE THE EQUIPMENT.

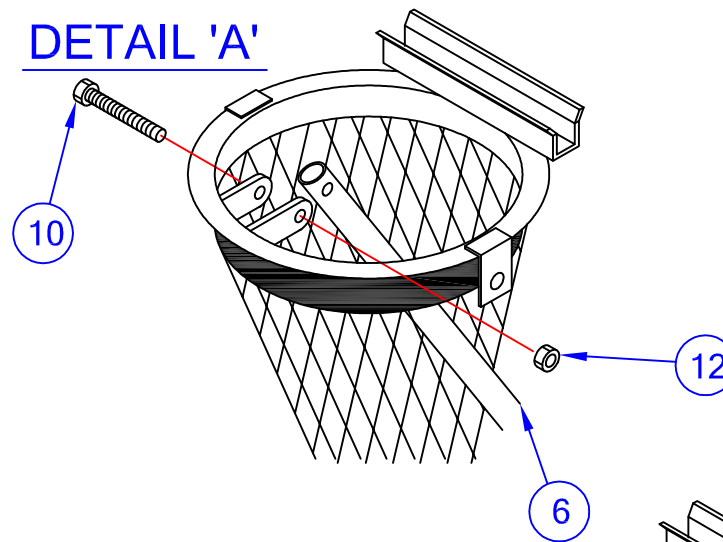
**Jaypro Sports**  
 976 Hartford Turnpike  
 Waterford, CT 06385 USA  
 (800)243-0533  
 (800)988-3363 Fax  
 www.jaypro.com

MODEL NO.: <b>LC-1</b>	
PRODUCT NAME: <b>LITTLE CHAMP</b>	
DRAWN BY: JAC	EFFECTIVE DATE: 5/24/2011

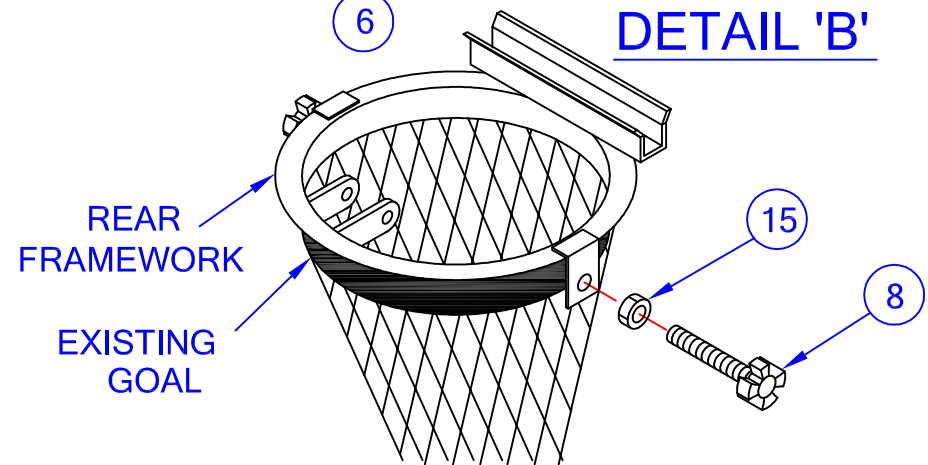
## DETAIL 'C'



## DETAIL 'A'



## DETAIL 'B'



### NOTE

TIGHTEN HANDKNOB FULLY SO IT FIRMLY GRIPS EXISTING GOAL. WITH A WRENCH, TIGHTEN M12 JAM NUT (15) AGAINST FLANGE TO LOCK HANDKNOB INTO PLACE.

# Jaypro Sports

976 Hartford Turnpike  
 Waterford, CT 06385 USA  
 (800)243-0533  
 (800)988-3363 Fax  
 www.jaypro.com

MODEL NO.:  
**LC-1**

PRODUCT NAME:  
**LITTLE CHAMP**

DRAWN BY: JAC

EFFECTIVE DATE:  
 5/31/2011

# JAYPRO SPORTS

LITTLE CHAMP BASKETBALL ADAPTER, LC-1

## LIST OF MATERIALS

<u>PIECE NO.</u>	<u>DESCRIPTION</u>	<u>QTY.</u>
1	BACKBOARD	1
2	GOAL	1
3	NET (PACKED WITH GOAL)	1
4	UPPER FRAME ASSEMBLY	1
5	HEX HEAD M8x45mm	2
6	UPPER FRAME CONNECTOR	1
7	LOWER FRAME CONNECTOR	1
8	HAND KNOB M12x45mm	2
9	HAND KNOB M10x20mm	2
10	HEX HEAD M8x65mm	4
11	M8 FLAT WASHER	6
12	M8 FLANGE NUT	10
13	CARRIAGE BOLT M8x60mm	4
14	BACKBOARD FRAME ASSEMBLY	1
15	M12 JAM NUT	2

### CAUTION

- DO NOT USE THIS UNIT WHEN SUBJECT TO THE POSSIBILITY OF USERS HANGING OR SLAM DUNKING. SERIOUS INJURY TO PLAYERS CAN RESULT.**
- UNIT IS DESIGNED FOR OFFICIAL "MINI-HOOPS" AND IS TO BE MOUNTED ON PERMANENT MOUNT INDOOR UNITS.**
- DO NOT INSTALL ON PORTABLE UNITS, UNLESS PORTABLE UNIT IS FASTENED TO FLOOR WITH SOME TYPE OF FLOOR PLATE.**
- DO NOT ALLOW ANY PLAYER TO HANG FROM OR SLAM DUNK ON THIS GOAL. THIS IS DANGEROUS AND THE EXTRA WEIGHT MAY DAMAGE THE EQUIPMENT.**
- HAND KNOBS MUST SAFELY SECURE THE UPPER FRAME ASSEMBLY TO YOUR EXISTING BASKETBALL GOAL. THE POINT OF THE HAND KNOB MUST CONTACT YOUR GOAL BENEATH THE WELDED SUPPORT FLANGE OR THE GOAL RIM IN ORDER TO PROPERLY LOCK IN PLACE. FAILURE TO SECURE HAND KNOBS IN POSITION COULD ALLOW UNIT TO FALL DURING USE. CHECK THIS ASSEMBLY CAREFULLY.**

### ASSEMBLY INSTRUCTIONS

One unit includes 1 backboard, 1 rim, 1 upper framework, 1 lower framework with hardware kit in 1 box. Check instructions and packing instructions to be certain no parts are missing.

- Using carriage bolts M8x60mm (13) and M8 flange nuts (12), assemble backboard frame (14) to backboard (1).
- Assemble net (3) to goal, then, assemble goal (2) to backboard (1) using 2 each of Hex Head M8x65mm (10) on top two holes and 2 each of Hex Head screws M8x45mm (5) on bottom two holes with M8 flat washers (11) and M8 flange nuts (12) as shown.
- Assemble lower frame connector (7) to backboard frame assembly (14) using M8x65mm hex head bolt (10), M8 flat washers (11), and M8 flange nut (12). Assemble upper frame connector (6) to upper frame (4) using hex head bolt M8x65mm (10), and M8 flange nuts see detail "A".
- Loosely thread hand knobs M12x45mm (8) with M12 jam nuts (15) into place as shown in detail 'B'. With the help of an assistant, place assembled unit onto permanent goal. Engage lower frame connector (7) into upper frame connector (6) as shown in illustration and tighten with hand knob M10x20mm (9). Secure unit into place as shown in detail 'B' and tighten fully with hand knob M12x45mm (8).

**NOTE:** UPPER FRAME CONNECTOR MUST BE DISCONNECTED FROM THE LOWER FRAME CONNECTOR SO IT CAN BE INSERTED THRU THE TOP OPENING OF THE EXISTING GOAL, THEN, RECONNECT AND TIGHTEN IN PLACE WITH THE HAND KNOB. USE THE UPPER AND LOWER FRAME CONNECTORS TO LEVEL BACKBOARD AND GOAL WITH PLAYING SURFACE.