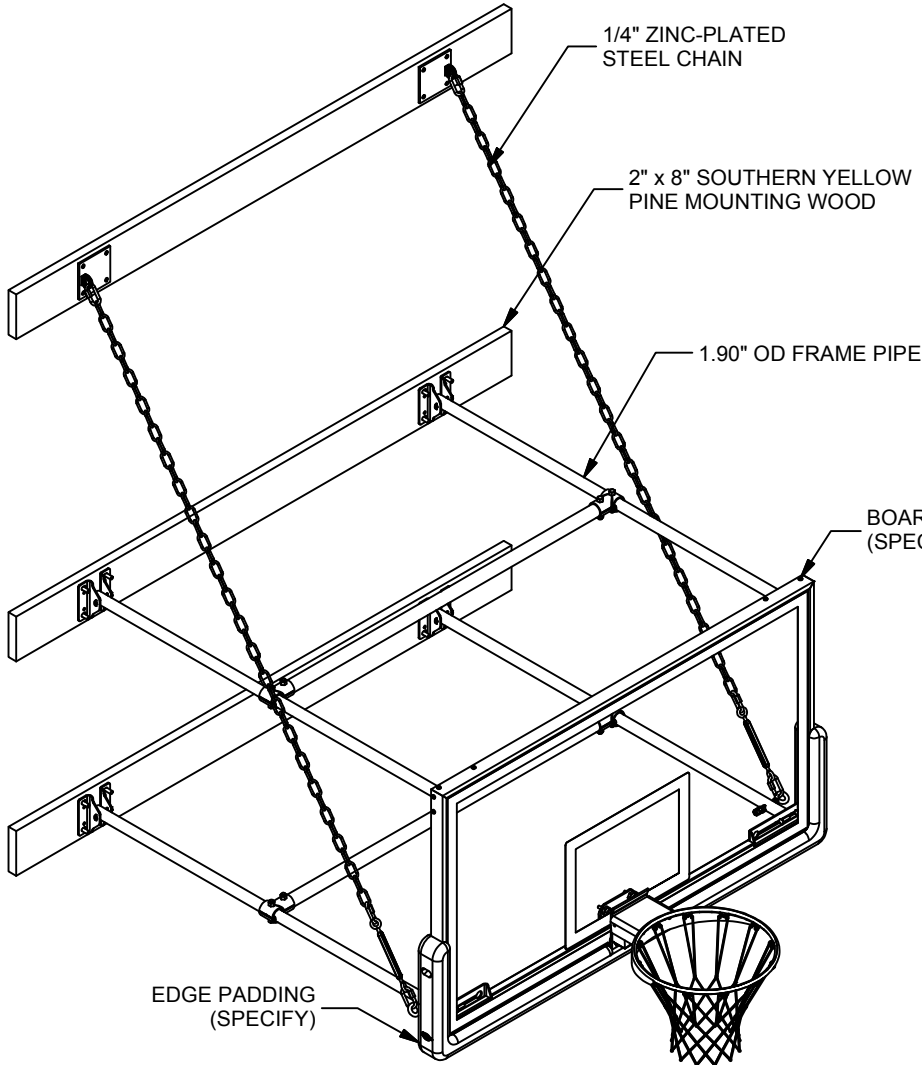
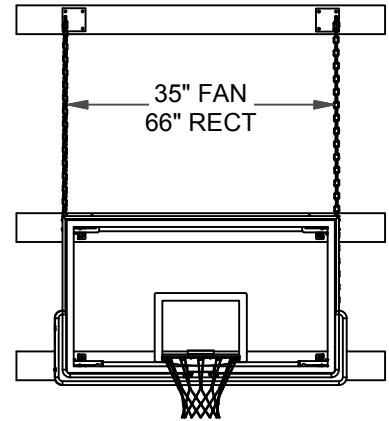




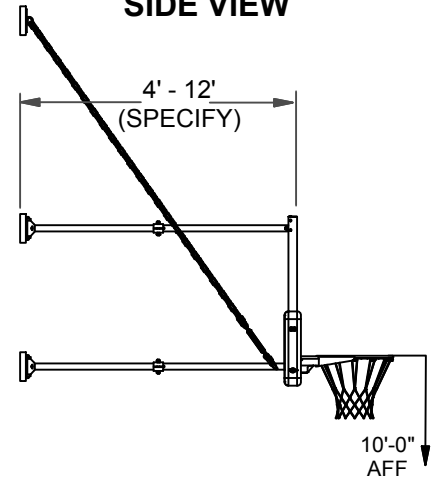
1310 - STATIONARY WALL MOUNTED BACKSTOP



FRONT VIEW



SIDE VIEW



REQUIRED INFORMATION

SPECIFY DISTANCE FROM FACE OF BANK TO WALL.
 SPECIFY TYPE OF BOARD TO BE USED.
 SPECIFY GOAL TO BE USED.
 SPECIFY IF HEIGHT ADJUSTER IS TO BE USED.

REQUIRED EQUIPMENT

BOARD: RECTANGULAR OR FAN (SPECIFY MATERIAL AND SIZE)
 GOAL: BREAKAWAY OR FIXED (SPECIFY)

OPTIONAL EQUIPMENT

EDGE PADDING: SPECIFY TYPE (BOLT-ON OR ADHESIVE) AND COLOR
 HEIGHT ADJUSTER: MANUAL (AHA-XX) OR ELECTRIC (EHA-XX)
 POWDER COAT FINISH

PROJECT NAME _____

PROJECT NUMBER _____

ARCHITECT _____

CONTRACTOR _____

NOTES _____



1310

STATIONARY WALL MOUNTED BACKSTOP

© COPYRIGHT 2014 JAYPRO SPORTS, LLC. ALL RIGHTS RESERVED
 THIS PRINT IS THE PROPERTY OF JAYPRO SPORTS, LLC. AND MAY
 NOT BE REPRODUCED WITHOUT WRITTEN PERMISSION

www.jaypro.com
 (800) 243-0533
 976 Hartford Turnpike
 Waterford, CT 06385 USA



SPECIFICATION SHEET

EXTENSION

Backstop shall be a wall mounted and wall braced style with the bank face being extended (48" to 144") from the supporting wall. Pipe extension frames shall be fabricated of 1.9" O.D. high strength galvanized pipe. Wall ends of frame shall terminate in heavy steel plates for attachment to wall pads. Attachment to bank shall be with use of special fabricated bracket.

BRACING

Frame shall be braced horizontally by use of 1.90" O.D. perpendicular bars terminating in clamped fittings for maximum rigidity. Intersection of the tensions bars shall be joined in the field by use of a hardened bolt.

SUPPORT

Backstop shall be wall mounted and supported. Unit shall have safety chains independently attached to wall for support and stability of the unit in the playing position. Installation requires CMU block walls for best support; non-CMU walls may require special fittings or designs. See table below for wall height requirements.

MOUNTING

All wall pads shall be southern yellow pine. All edges shall be chamfered and finished with two (2) coats of clear lacquer.

FINISH

Entire unit is powder coated black standard, with custom colors as an option. All metal fittings shall be packaged for protection during shipment. Custom colors include fully enclosed wrapping for added protection.

OPTIONS

- Safe-Pro™ Edge Padding (*Refer to MBBP-6 Specification Sheet*)
- Manual Height Adjuster (*Refer to AHA-XX Specification Sheet*)
- Electric Height Adjuster (*Refer to EHA-XX Specification Sheet*)

TABLE OF ATTACHMENT HEIGHTS:

FACE OF BANK	MINIMUM WALL HEIGHT
DIM A	DIM B
4'	164"
5'	176"
6'	188"
7'	200"
8'	212"
9'	224"
10'	236"
11'	248"
12'	260"

NOTE: Table is for reference only. Dimensions were determined using 42" glass backboard and may vary for other backboards.