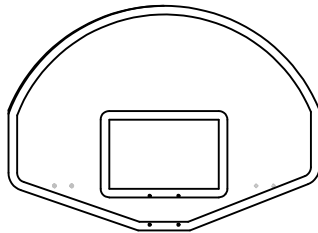


# 656

## OUTDOOR BASKETBALL

### ALUMINUM FAN / STEEL RECT / PERFORATED STEEL DIRECT MOUNT 6 Foot Extension

Rugged all galvanized steel 5 9/16 " Schedule 40 diameter post with direct mount welded to gooseneck for durability and stability, additionally two 1 5/16" diameter steel braces are provided with rectangular backboards. Easy to install and virtually maintenance free. See selection chart for backboard and goal combinations.



ALB-24BT  
(RED BORDER AND TARGET)  
\* NO REAR BRACING REQUIRED

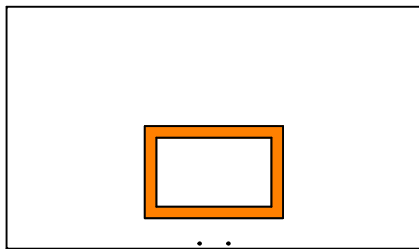
Actual dimensions may vary depending on choice of backboard used.

**Boards:**

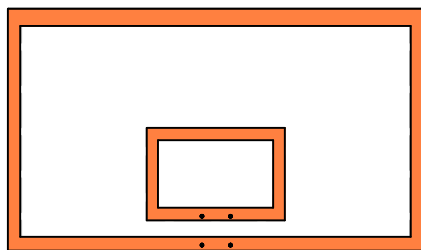
- ALB-24BT** - Fan Aluminum
- 850RB-BB** - Rectangular Steel
- SR-PERF** - Steel Perforated
- AL-PERF** - Aluminum Perforated

**Goals:**

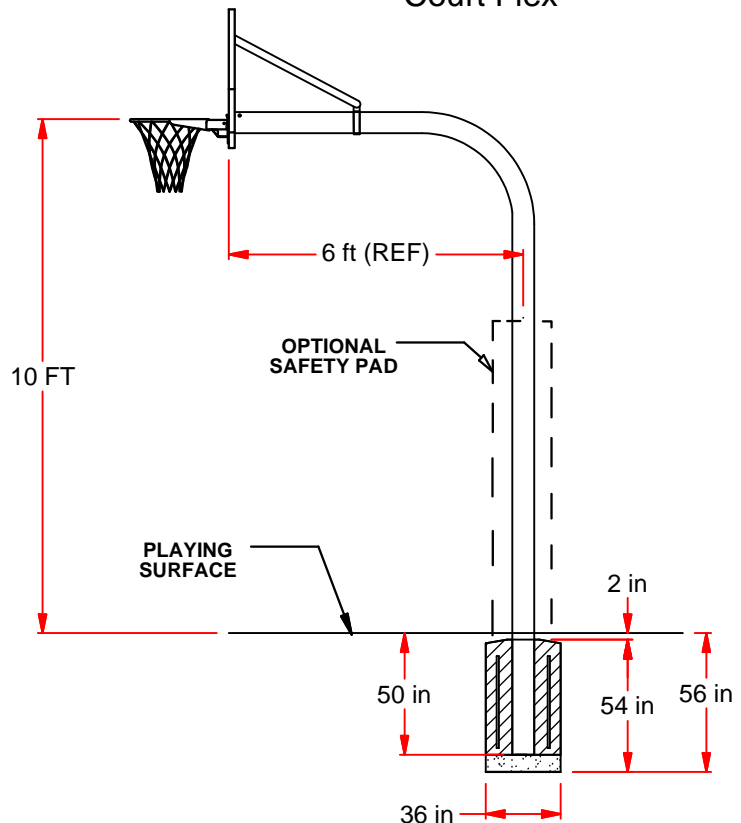
- GBSG-50** - Super Goal
- UBG-500** - Ultimate Playground
- GB-55FL** - Competitor Side Court Flex



RECTANGULAR STEEL  
REAR BRACING INCLUDED



ALUMINUM OR  
STEEL PERFORATED BOARD  
REAR BRACING INCLUDED



**656 GOOSE NECK**



PHONE:  
800.243.0533 (TOLL FREE)  
860.447.3001 (LOCAL)

FAX:  
860.444.1779 (SALES)  
860.440.0629 (ENG.)

DRAWING NAME / PART NUMBER:

**656**

DRAWN BY:

DONL

ISSUE DATE:

11/6/2009

CHK'D BY:

WVB

CHK DATE:

SHEET:

1 OF 1