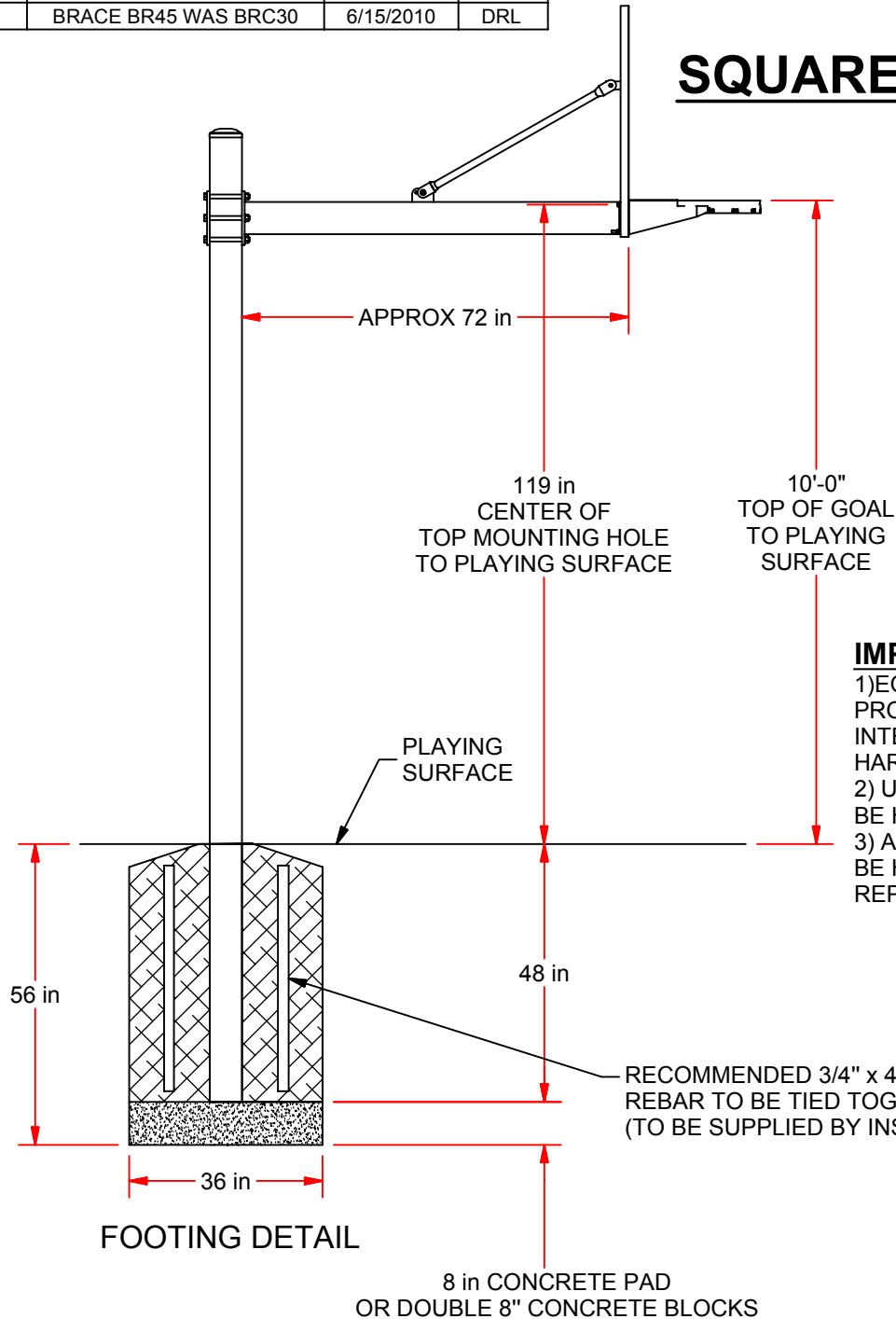
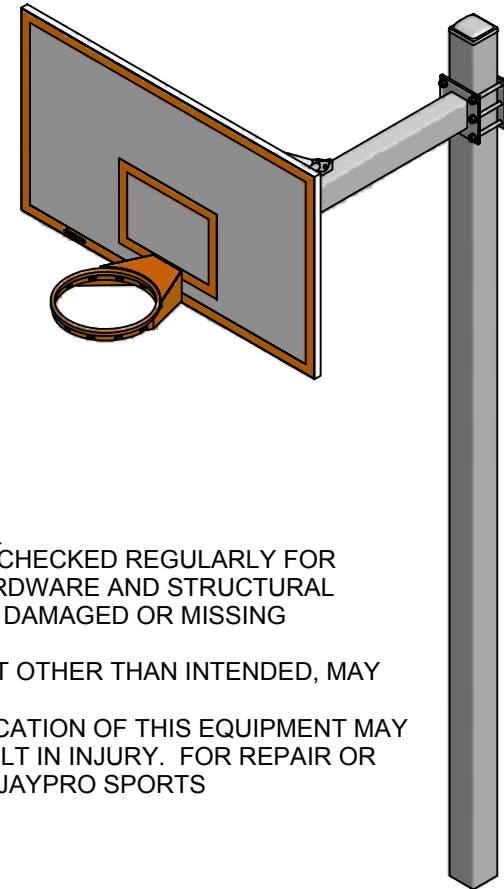


REV	DESCRIPTION	DATE	BY
B	BRACE BR45 WAS BRC30	6/15/2010	DRL


MODEL 660/770 SQUARE POST OUTDOOR BASKETBALL



IMPORTANT NOTICE:

- 1) EQUIPMENT SHOULD BE CHECKED REGULARLY FOR PROPER CONNECTING HARDWARE AND STRUCTURAL INTEGRITY. REPLACE ANY DAMAGED OR MISSING HARDWARE IMMEDIATELY
- 2) USE OF THIS EQUIPMENT OTHER THAN INTENDED, MAY BE HAZARDOUS.
- 3) ALTERATION OR MODIFICATION OF THIS EQUIPMENT MAY BE HAZARDOUS AND RESULT IN INJURY. FOR REPAIR OR REPLACEMENT, CONTACT JAYPRO SPORTS

RECOMMENDED 3/4" x 42" (4 PLACES)
REBAR TO BE TIED TOGETHER
(TO BE SUPPLIED BY INSTALLER)

PHONE: 800.243.0533 (TOLL FREE) 860.447.3001 (LOCAL)				FAX: 860.444.1779 (SALES) 860.440.0628 (ENG.)
JAYPRO SPORTS, LLC, 976 HARTFORD TURNPIKE, WATERFORD, CT 06385 USA www.jaypro.com				
DESCRIPTION 660/770 INSTALLATION INSTRUCTIONS				
PART NUMBER 660/770 INS		DWN BY DONL	CHKD BY WVB	
SIZE A	SCALE N/A	DATE 2/11/2010	REV B	SHEET 1 OF 5
THIS DRAWING IS THE SOLE PROPERTY OF JAYPRO SPORTS INC. AND MAY NOT BE REPRODUCED WITHOUT WRITTEN PERMISSION OR CONSENT				

MODEL 660/770 SQUARE POST OUTDOOR BASKETBALL ASSEMBLY INSTRUCTIONS

BEFORE YOU START

- A) UNPACK ALL PARTS AND CHECK AGAINST PARTS LIST TO ENSURE THAT ALL PARTS HAVE BEEN INCLUDED
B) INSPECT FOR DAMAGE. REPORT ALL DAMAGES TO TRUCKING COMPANY.

ITEM	QTY	PART NUMBER	DESCRIPTION	ITEM	QTY	PART NUMBER	DESCRIPTION
1	1	666U	UPRIGHT	10	3	HS287	3/8-16 x 1 1/4 HX HD CAP S
2	1	666R	OUTRIGGER	11	5	HW2050	3/8" FLAT WASHER, ZP
3	1	VARIOUS	BACKBOARD	12	9	HW334	3/8" MEDI SPLIT LOCK WASH
4	1	666-1A	666 MOUNTING PLATE	13	9	HN264	3/8"-16 HEX NUT, ZP
5	2	SR5370	ANGLE BRACKET	14	6	HS5061	3/4-10 x 8 HX HD CAP S GRD 5
6	2	BR45	BRACE 45 inches	15	12	HW343	3/4" SAE FLAT WASHER, ZP
7	2	SR5368	TAB PERF BOARD	16	6	HN5019	3/4-10 STOVER LOCKNUT
8	1	EC0033	CAP	17	2	HN5040	3/8-16 TEE NUT
9	2	HB5031	3/8"-16 x 1 1/2" CARRIAGE BOLT				

UPRIGHT INSTALLATION

- 1) CHECK LOCAL BUILDING CODES BEFORE STARTING THE FOOTING, AS BUILDING CODES MAY VARY. LOCAL BUILDING CODES SHOULD BE ADHEARED TO IF REQUIREMENTS ARE GREATER THAN THOSE OUTLINED HERE.
- 2) DIG HOLE 36 INCHES SQUARE OR ROUND TO A DEPTH ON 56 INCHES, POUR AN 8 INCH FOOTING AND ALLOW TO FULLY CURE OR PLACE UPRIGHT ON TWO 8 INCH CONCRETE BLOCKS.
- 3) INSTALL SQUARE CAP TO TOP OF POST WITH RUBBER Mallet. (BEFORE RAISING ONTO FOOTING)
- 4) POSITION AND SQUARE THE UPRIGHT ONTO THE FOOTING BASE. POUR THE REMAINDER OF THE FOOTING. ALLOW THE CONCRETE TO FULLY CURE, PER THE MANUFACTURER'S INSTRUCTIONS, BEFORE ATTACHING OUTRIGGER AND BACKBOARD.

FINAL ASSEMBLY

- 5) ATTACH OUTRIGGER TO UPRIGHT USING 3/4-10 HARDWARE PROVIDED (SEE DETAIL **A**). IF NEEDED, THE OUTRIGGER MAY BE LEVELED BY PLACING ALUMINUM FLASHING BEHIND THE MOUNTING PLATE LOCATED TOWARDS THE BOTTOM.

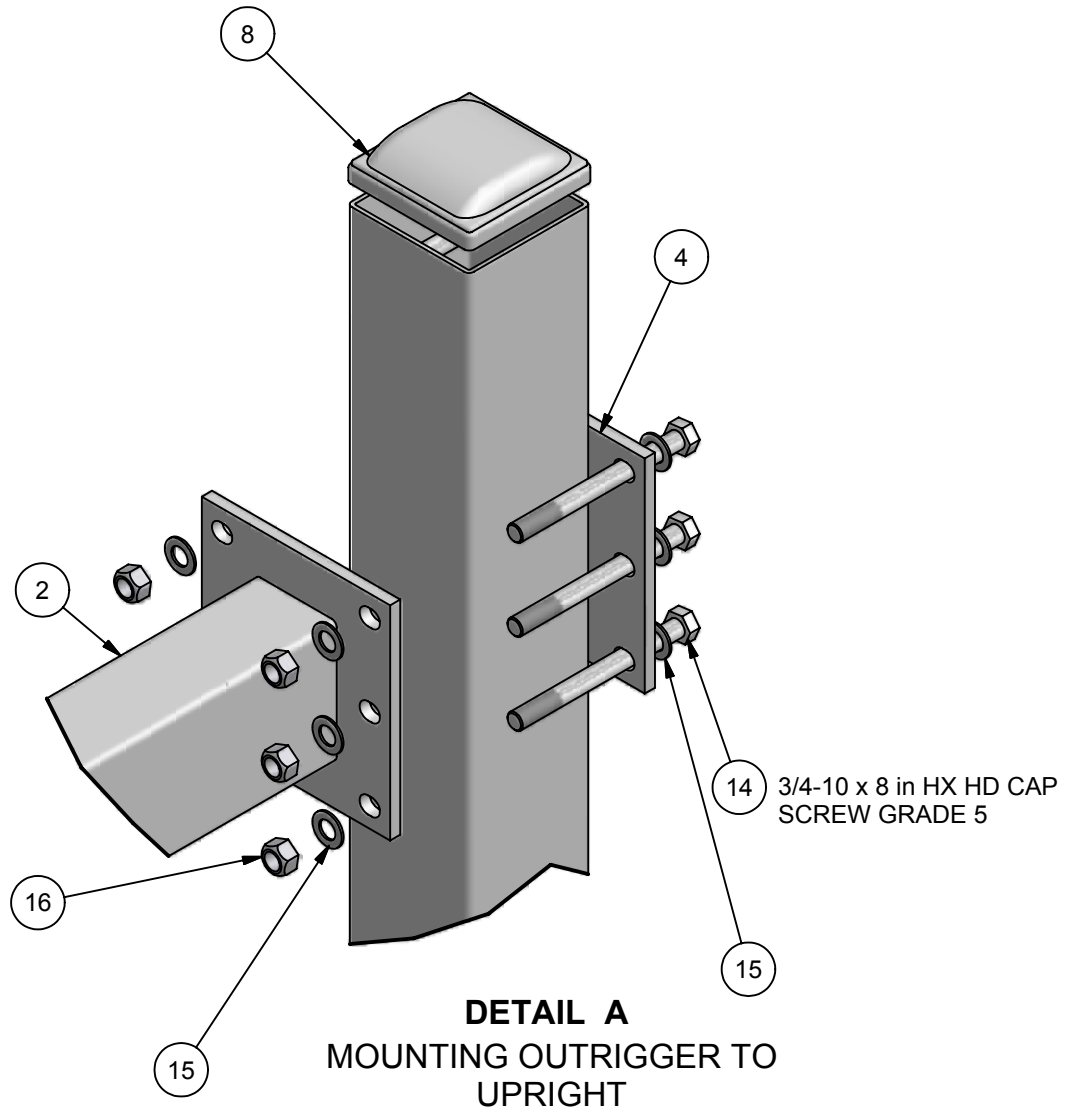
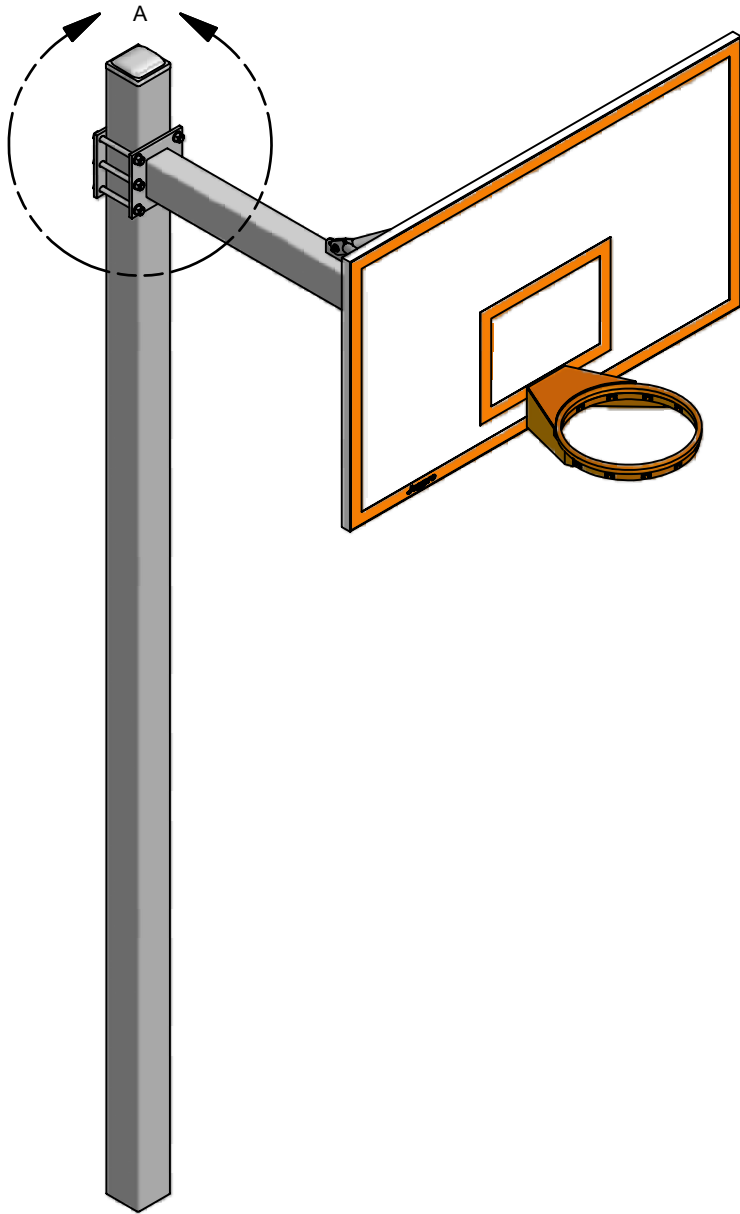
NOTE THE TOP HOLE OF THE BACKBOARD MOUNTING PLATE SHOULD BE 119 INCHES OFF THE PLAYING SURFACE.

- 6) ATTACH THE APPROPRIATE BRACE MOUNTING BRACKET TO THE BACK OF THE BACKBOARD, AS SHOWN IN DETAIL E. THE BRACKET WILL DEPEND ON THE BACKBOARD ORDERED. THE BRACKETS WILL EITHER BE INCLUDED WITH THE BACKBOARD OR FOUND IN THE GENERAL KIT. THE SPACING BETWEEN THE RIGHT ANGLE BRACKETS OF THE RECTANGULAR STEEL BACKBOARD IS APPROXMATLY 36 INCHES.
- 7) LIFT AND ATTACH THE BACKBOARD TO THE OUTRIGGER USING ONLY THE TOP TWO FASTENERS AND TEE NUTS SHOWN IN SECTION **B-B**. WHEN THE BACKBOARD IS INSTALLED THE TEE NUTS SHOULD BE UP AGAINST THE BACKBOARD AS SHOWN IN SEE DETAIL **C**. THE USE OF THE TEE NUTS ALLOW FOR EASY REPLACEMENT OF THE GOAL.
- 8) INSTALL THE 1 5/16 DIA SUPPORT BRACES TO THE BACKBOARD AND OUTRIGGER AS SHOWN IN DETAILS **F** AND **G**. PLUMB AND LEVEL THE BACKBOARD BEFORE TIGHTENING THE HARDWARE.
- 9) FINALLY ATTACH THE GOAL WITH THE REMAINING HARDWARE SHOWN IN SECTION **B-B**, MAKE CERTAIN THAT A WASHER IS PLACED BETWEEN THE BOARD AND THE GOAL IN THE LOWER TWO HOLES IN ORDER TO KEEP THE GOAL PERPENDICULAR WITH THE BACKBOARD. NOTE THE ORIENTATION OF THE LOWER TWO BOLTS. FOR ADDED SAFETY, THE EXPOSED THREADS AND NUTS SHOULD BE PLACED ON THE BACKSIDE OF THE BACKBOARD, AS SHOWN IN DETAIL **D**.

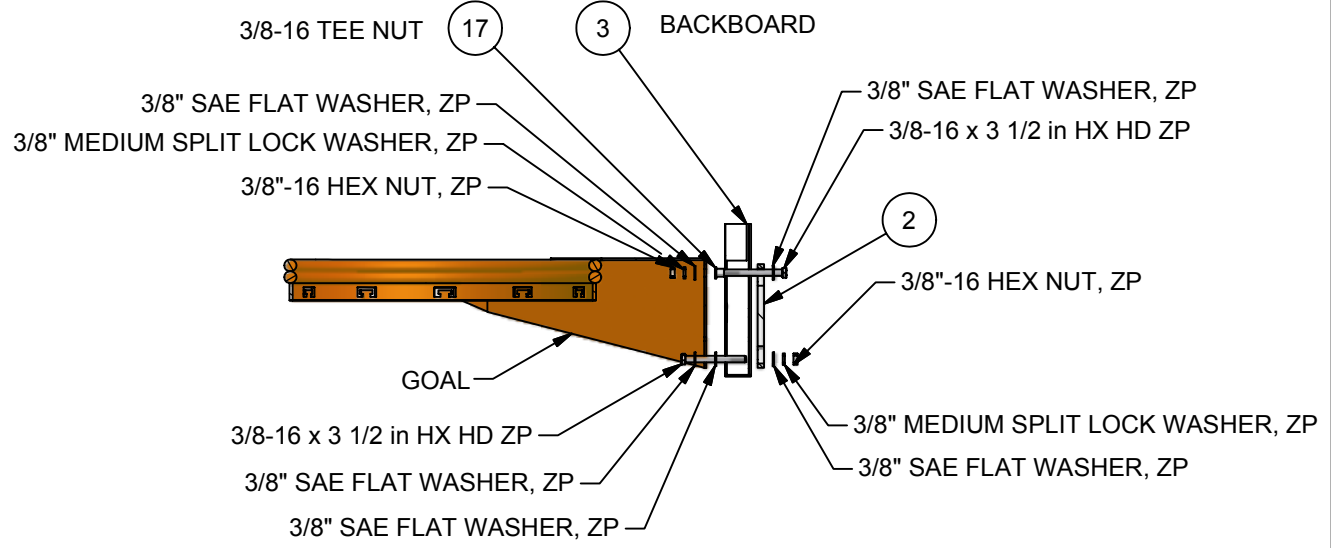
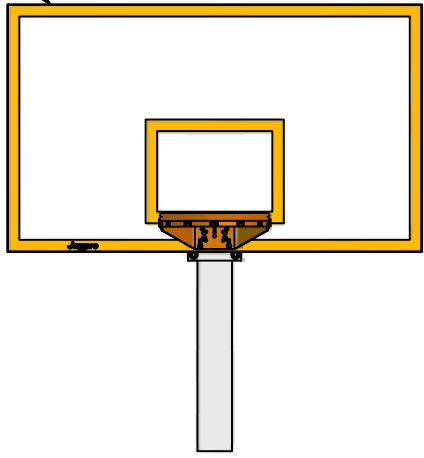
TOOLS REQUIRED:

- 1 1/8 in Socket Wrench and Combination Wrench
- 9/16 in Socket Wrench and Combination Wrench
- Rubber Mallet

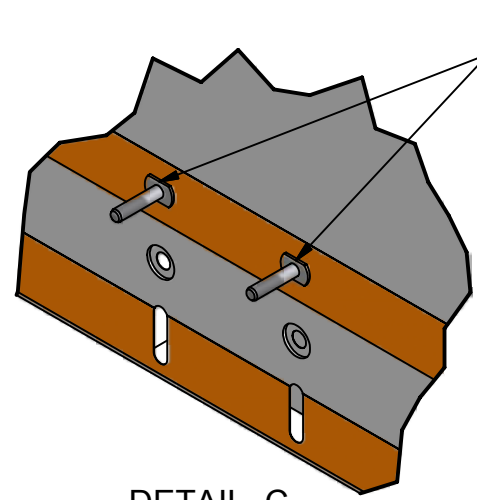
MODEL 660/770 SQUARE POST OUTDOOR UPRIGHT



(RECTANGULAR STEEL BOARD SHOWN)

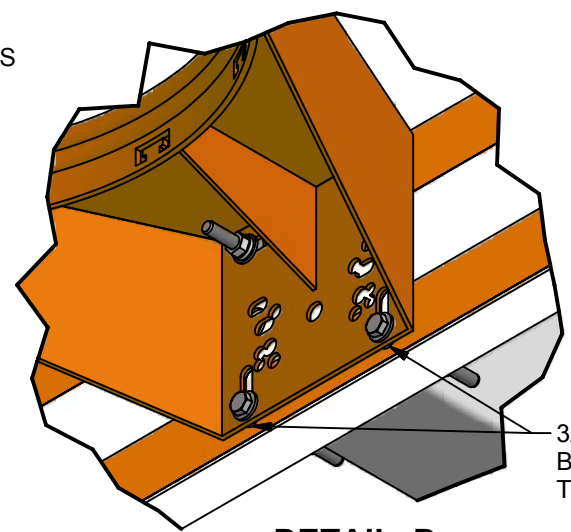


SECTION B-B
BACKBOARD MOUNTING
 ALL THE HARDWARE IN THIS DETAIL EXCEPT FOR
 THE TEE NUTS IS SUPPLIED WITH THE GOAL



DETAIL C
BACKBOARD TEE NUTS

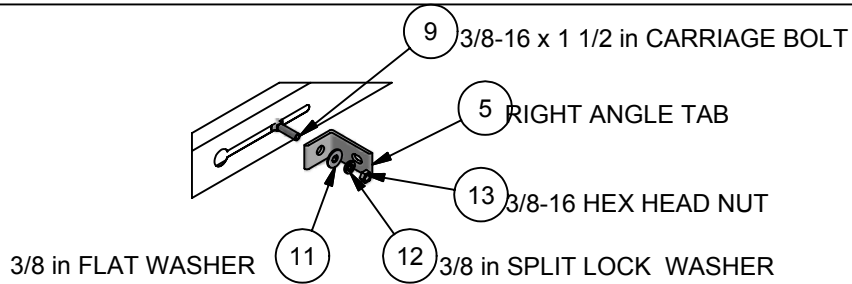
(17) TEE NUTS



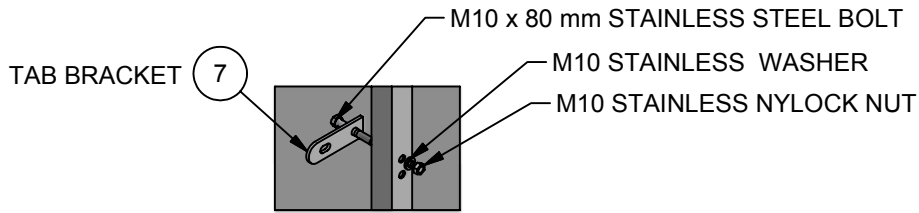
DETAIL D
GOAL ATTACHMENT

3/8 in FLAT WASHER PLACED
 BETWEEN THE GOAL AND
 THE BACKBOARD

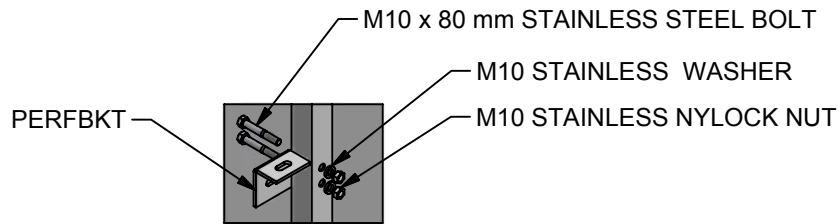
DETAIL E
BRACE TO BOARD MOUNTING OPTIONS



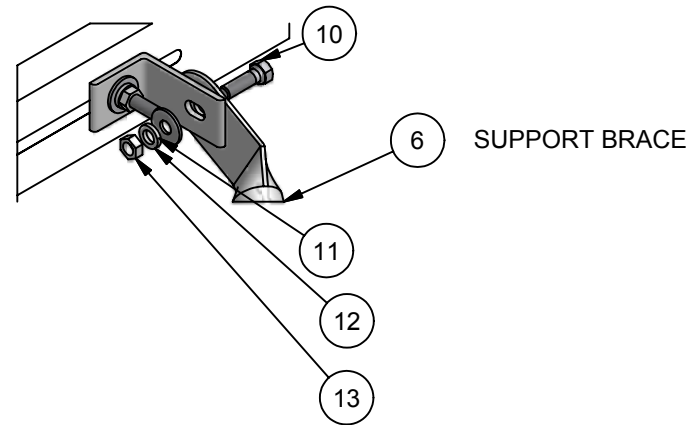
E1
RIGHT ANGLE TAB
RECTANGULAR STEEL BOARD
850RB-BB



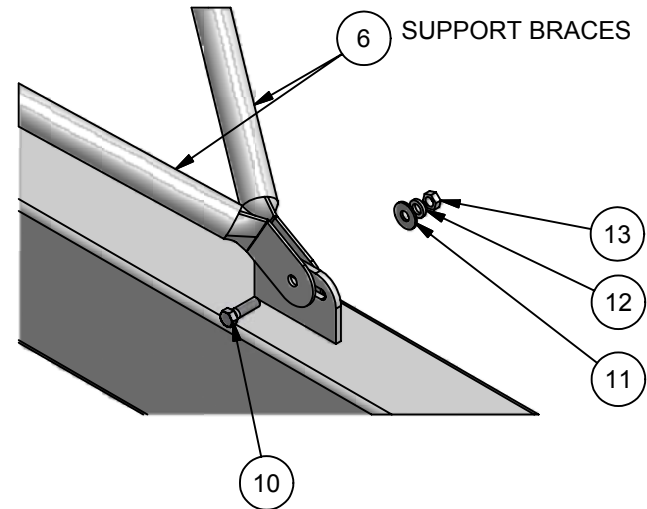
E2
TAB BRACKET
PERFORATED BOARDS
SR-PERF AND AL-PERF
(HARDWARE PROVIDED W/BOARD)



E3
PERFBKT
PERFORATED BOARDS
SR-PERF AND AL-PERF
OR ACRYLIC BOARDS ACRB-72
(BRACKET & HARDWARE PROVIDED W/BOARD)



DETAIL F
UPPER BRACE ATTACHMENT



DETAIL G
BRACES TO OUTRIGGER ATTACHMENT