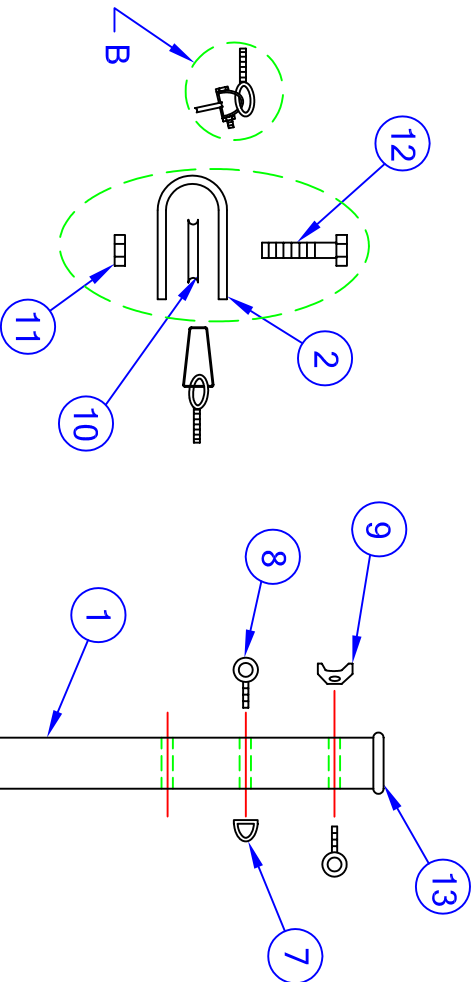


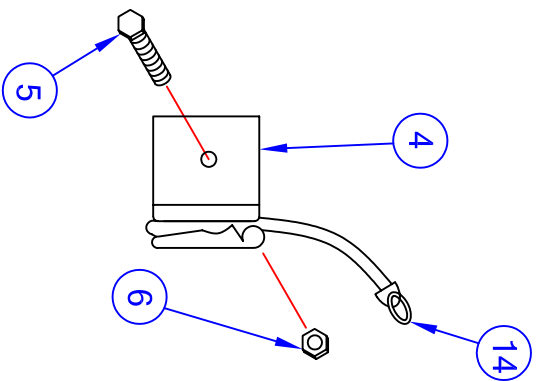
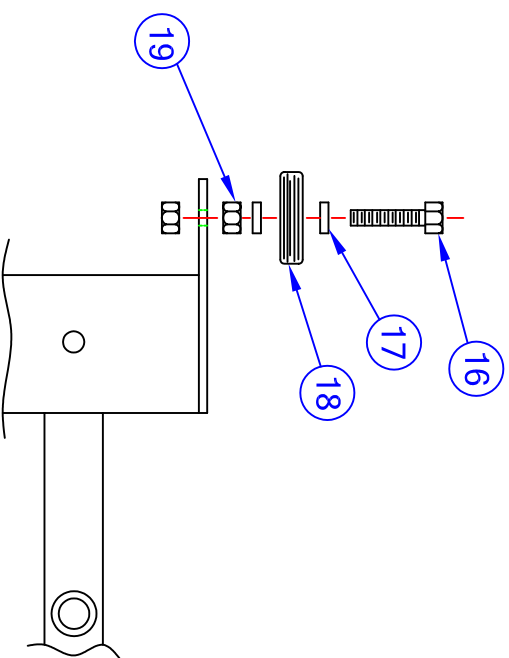
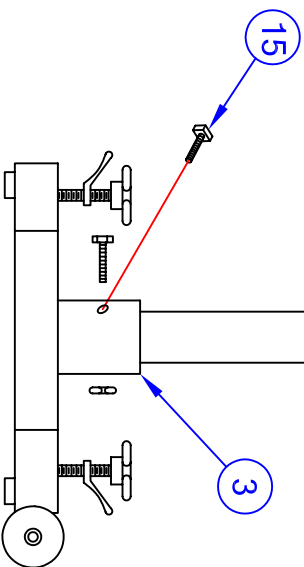
PLEASE NOTE:

- 1) FOR SAFE OPERATION AND CONTINUED HIGH PERFORMANCE FROM THIS EQUIPMENT, INSPECTION AND MAINTENANCE MUST BE PERFORMED BEFORE EACH USE
- 2) USE OF THIS EQUIPMENT OTHER THAN INTENDED, MAY BE HAZARDOUS.
- 3) ALTERATION OR MODIFICATION OF EQUIPMENT MAY BE HAZARDOUS. FOR REPAIR OR REPLACEMENT, PLEASE CALL YOUR DEALER

VIEW B EXPLODED AND ENLARGED FOR CLARITY



MOVE TO OUTSIDE UPRIGHT



MOVE COLLAR ASSY. TO AN OUTSIDE UPRIGHT

Jaypro Sports

976 Hartford Turnpike
 Waterford, CT 06385 USA
 (800)243-0533
 (800)988-3363 Fax
 www.jaypro.com

MODEL NO.:
ASC-301

PRODUCT NAME:
 T-BASE CENTER STANDARD

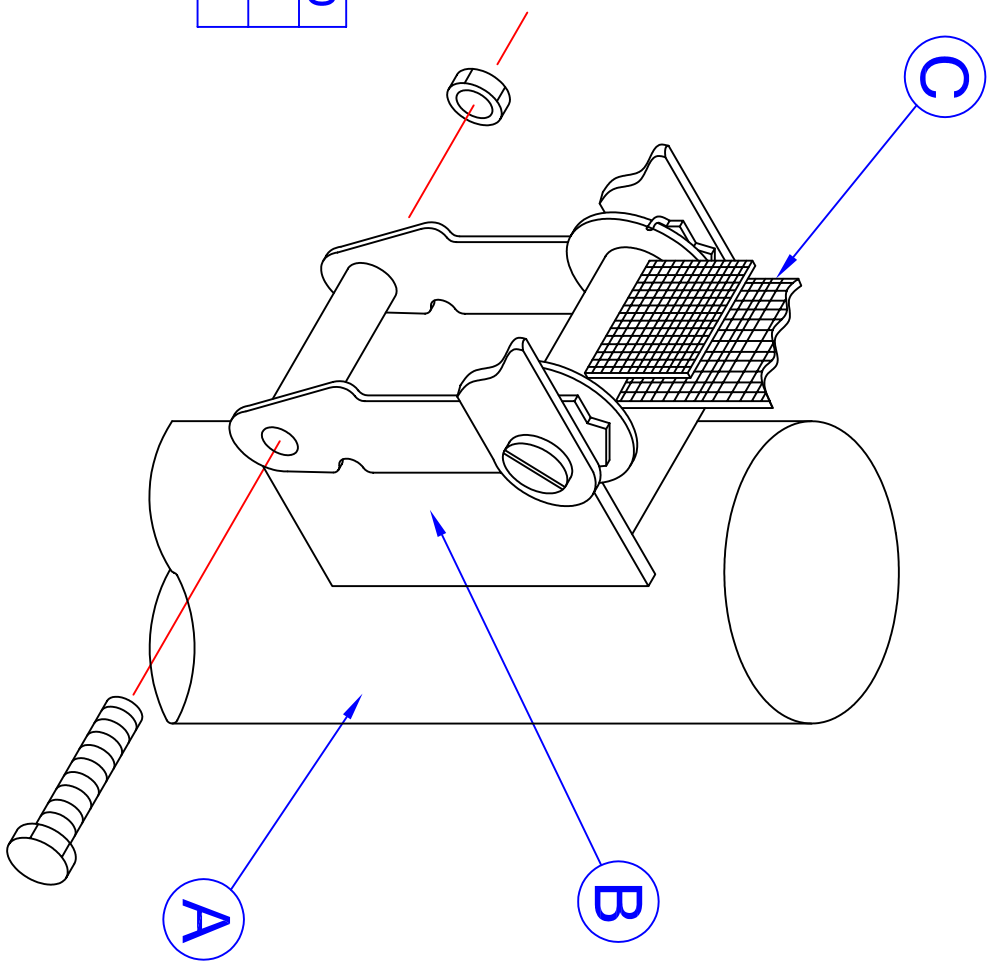
DRAWN BY: JAC

EFFECTIVE DATE:
 3-31-03

LARGE BUCKLE

NOTE:
HEX HEAD SCREW
LOCKS UNDER PIN
ON MOUNTING
BRACKET.

A	VOLLEYBALL STANDARD
B	BUCKLE
C	LEADER STRAP



BUCKLE ASSEMBLY INSTRUCTIONS

REMOVE NUT AND BOLT ASSEMBLY FROM BUCKLE (B). SLIDE BUCKLE UNDER TAB ON MOUNTING BRACKET (A). POSITION BUCKLE, INSERT BOLT AND REPLACE NUT. TIGHTEN SECURELY.

Jaypro Sports

976 Hartford Turnpike
Waterford, CT 06385 USA
(800)243-0533
(800)988-3363 Fax
www.jaypro.com

MODEL NO.:

PRODUCT NAME:
BUCKLE ASSEMBLY

DRAWN BY: JAC
EFFECTIVE DATE:
3-31-03

JAYPRO SPORTS
COMBINATION CENTER STANDARD, ASC-301
LIST OF MATERIALS

<u>PIECE NO.</u>	<u>PART NO.</u>	<u>DESCRIPTION</u>	<u>QTY.</u>
1	AS301	UPRIGHT	1
2	HM225	PULLEY HANGER	1
3	ASC30B	BASE ASSEMBLY	1
4	AS302	CABLE BUCKLE ASSEMBLY	1
5	HS1243	3/8"-16 x 3 1/4" HEX HEAD	2
6	HN265	3/8"-16 LOCKNUT	2
7	HN262	5/16"-18 EYE NUT	2
8	HB201	5/16"-18 x 4" EYEBOLT	4
9	HN263	5/16"-18 WING NUT	2
10	AF737	PULLEY SHEAVE	1
11	HN265	1/4"-20 LOCKNUT	1
12	HS278	1/4"-20 x 1 1/4" HEX HEAD	1
13	RP1222	TOP CAP	1
14	HM5054	5/16" SNAP HOOK	2
15	HS323	3/8"-16 x 1/2" SQUARE HEAD SET	2
16	HS5015	5/16"-18 x 2 1/4" HEX HEAD	2
17	HW2049	5/16" FLAT WASHER	4
18	RW5003	WHEEL	2
19	HN260	5/16"-18 HEX NUT	4

ASSEMBLY INSTRUCTIONS

TOOLS REQUIRED: 1/2" BOX WRENCH
9/16" BOX WRENCH (2) OR
ADJUSTABLE WRENCH (2)

IMPORTANT NOTE:

This unit is designed for practice use only. Any attempt to gain competition net height through excessive cable tension may damage the equipment. Read all instructions carefully before using this unit.

Set your floor plates as per the installation instructions. Allow the grout to cure for a minimum of 12 hours before using the floor plates. The center-to-center spacing for the asc-301 center standard base is 12".

- 1) The complete pulley assembly (see view 'b') and cable buckle assembly (4) are to be assembled to the remaining outside standard so that the side-by-side nets are tensioned from the center upright outward to each of the outside uprights.
- 2) See the as-300 combination game standards assembly instructions for complete installation details. Note that the center upright does not require a guy cable assembly. For best results when using the center upright, always tension the adjoining nets simultaneously to avoid excessive loading of the center upright. Never apply complete net tension to one court only.