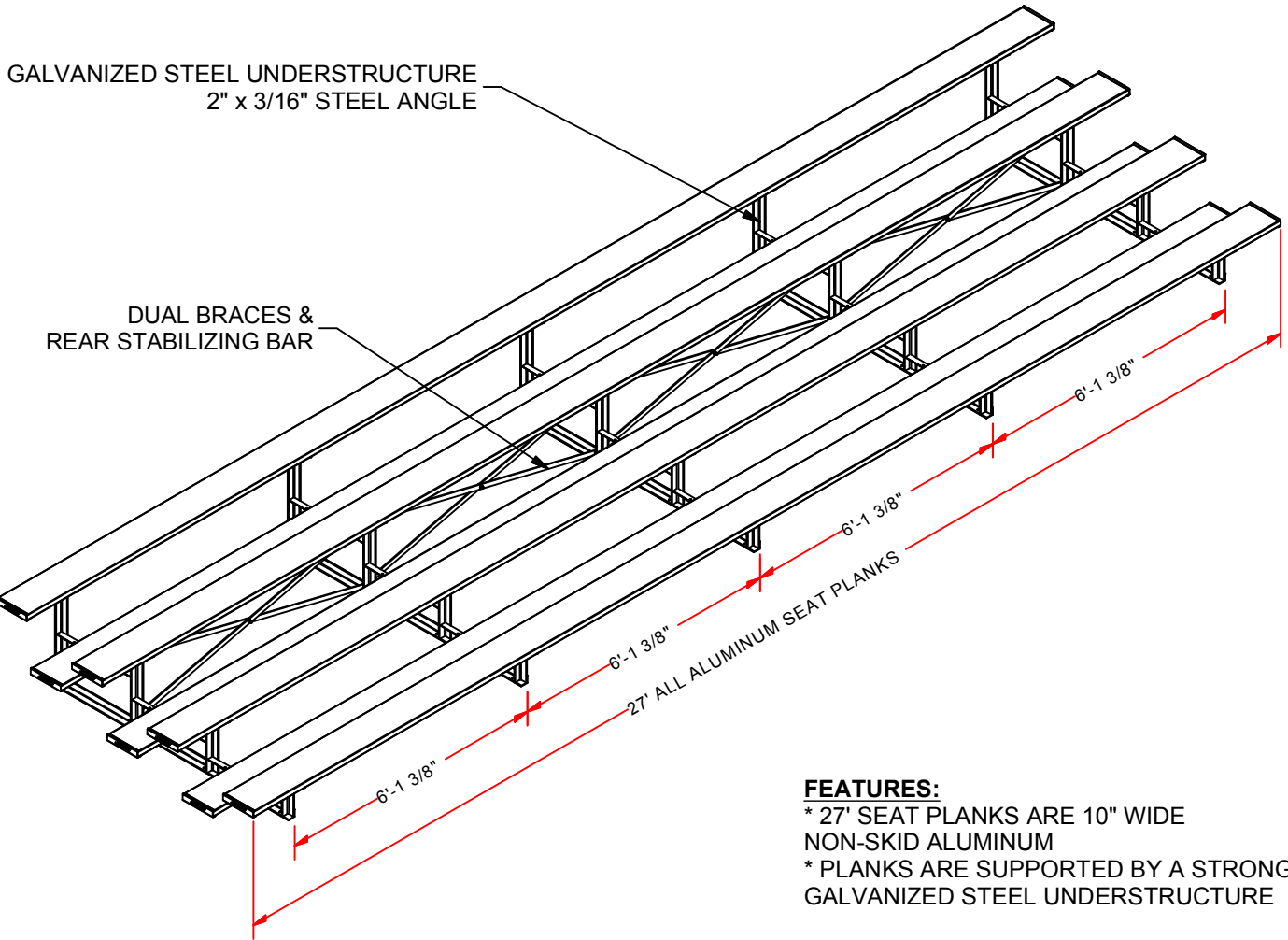
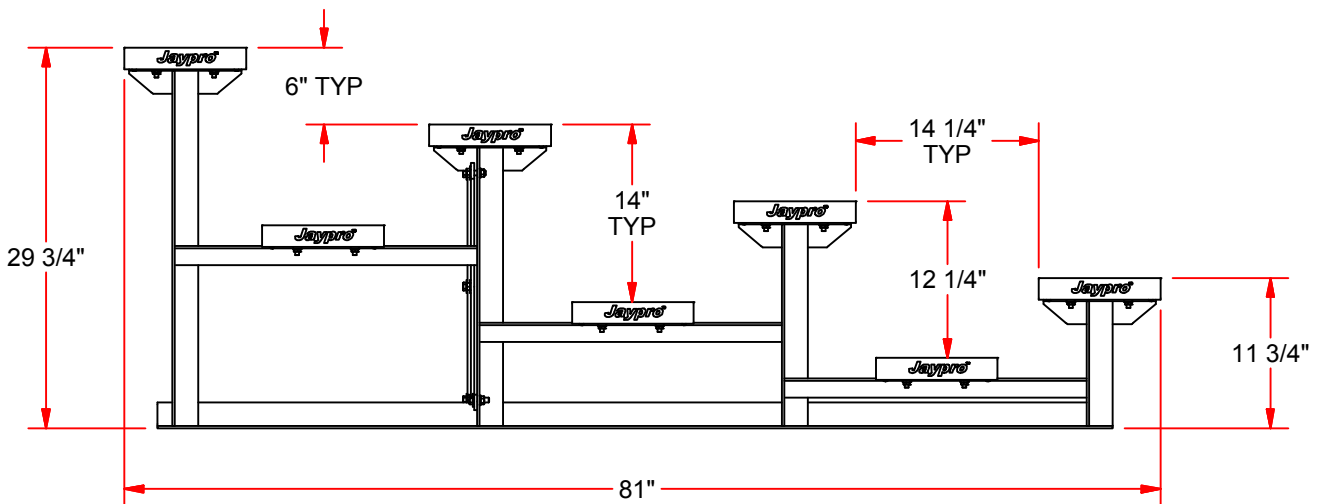


BLCH-427

27' ALUMINUM SEAT W/ GALVANIZED STEEL UNDERSTRUCTURE



OPTIONS:
 * CUSTOM POWDER COATED COLORS



REV.	DESCRIPTION	DATE	BY
-	INITIAL RELEASE	1/11	MT

COPYRIGHT 2006
 JAYPRO SPORTS, LLC.
 ALL RIGHTS RESERVED

BLCH-427
 27' ALUMINUM SEAT W/
 GALVANIZED STEEL UNDERSTRUCTURE

THIS PRINT IS THE PROPERTY OF JAYPRO SPORTS, LLC.
 AND MAY NOT BE REPRODUCED WITHOUT WRITTEN PERMISSION

www.jaypro.com

FAX:
 860.444.1779 (SALES)
 860.440.0628 (ENG.)

PHONE:
 800.243.0533 (TOLL FREE)
 860.447.3001 (LOCAL)

JAYPRO SPORTS, LLC, 976 HARTFORD TURNPIKE, WATERFORD, CT 06385 USA

DRAWING NAME / PART NUMBER: BLCH-427	
DRAWN BY: Moune T.	ISSUE DATE: 1/25/2011
CHK'D BY: WVB	CHK'D DATE: 1/25/2011
SHEET: 1 OF 1	REV. -