



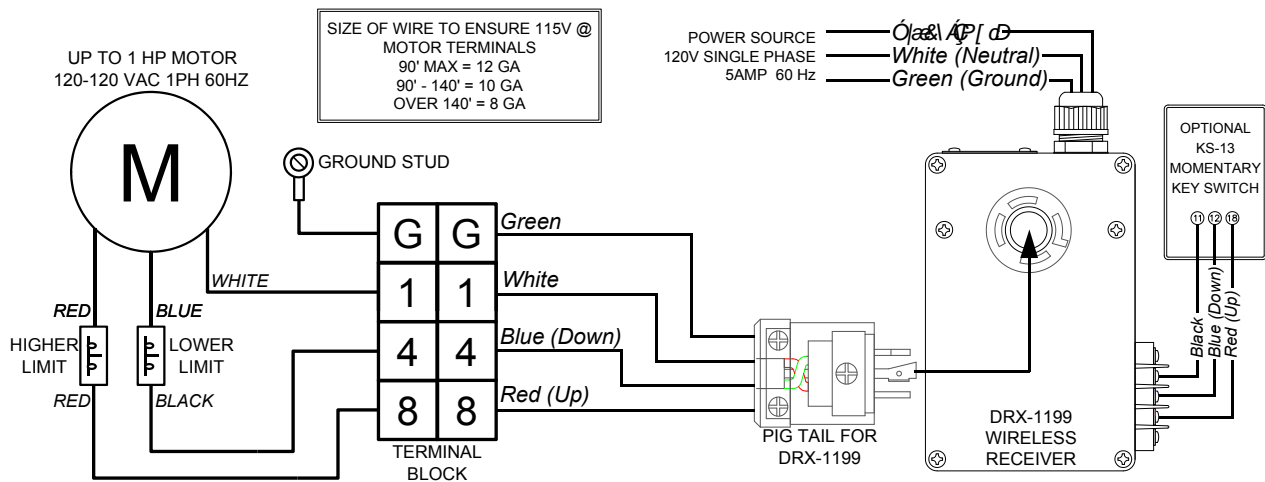
# DRX-1199 WIRELESS REMOTE RECEIVER



**DRX-1199**  
(WIRELESS REMOTE RECEIVER)



**PIG TAIL FOR DRX-1199**



**WIRING DIAGRAM**

## FEATURES:

- Wireless remote receiver is a commercial type 100-120VAC receiver with a coding switch for individual operation by the portable transmitter (Jaypro Model TMX-RFT022-99G)
- Radio control system eliminates control wiring, wall boxes, and individual key switches as used on conventional remote control key systems.
- Receiver can accommodate wall mounted key switch if desired.
- Shall be capable of operating one electric motor for backstop, curtain, or height adjuster with up to a 1HP rating.
- Each electric motor must be equipped with a DRX-1199 receiver.
- Pig tail for DRX-1199 included.
- DRX-1199 shall have a one (1) year warranty from date of purchase.

PROJECT NAME

PROJECT NUMBER

ARCHITECT

CONTRACTOR

NOTES



INNOVATION, PERFORMANCE  
AND COMMITMENT SINCE 1953

## DRX-1199

WIRELESS REMOTE RECEIVER

© COPYRIGHT 2014 JAYPRO SPORTS, LLC. ALL RIGHTS RESERVED  
THIS PRINT IS THE PROPERTY OF JAYPRO SPORTS, LLC. AND MAY  
NOT BE REPRODUCED WITHOUT WRITTEN PERMISSION

www.jaypro.com  
(800) 243-0533  
976 Hartford Turnpike  
Waterford, CT 06385 USA

Sheet 1 of 1