

FBPROK

Pro Kicking Cage

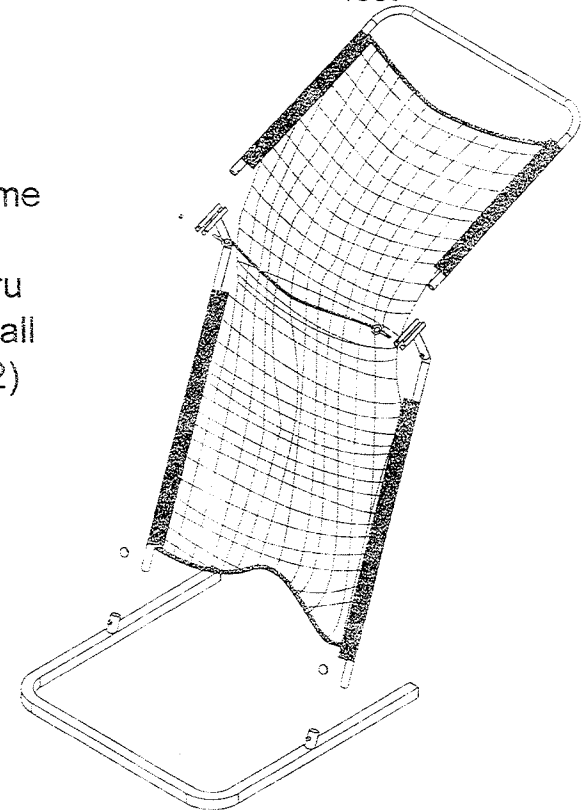
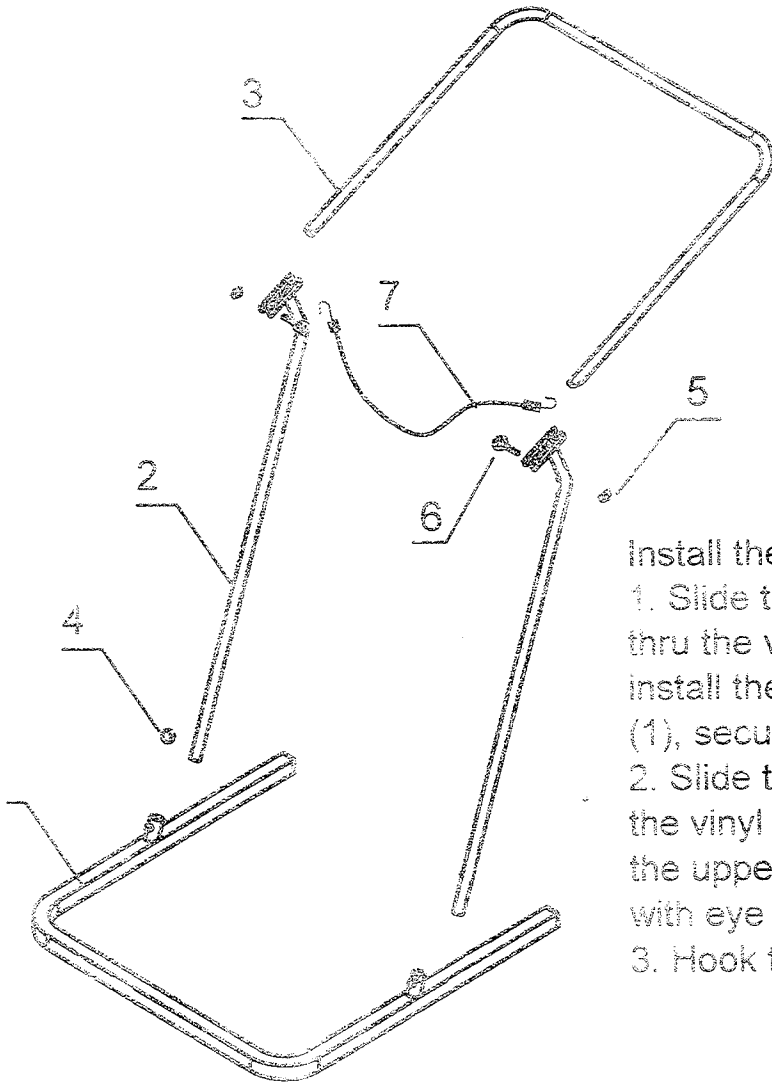
Service No: 800-243-0533

PARTS LIST

1	Base frame	1EA
2	Support frame	2EA
3	Upper U shaped frame	1EA
4	Knob M12x25mm	2EA
5	Hex nut M10	2EA
6	Eye bolt M10x60mm	2EA
7	Elastic Cord	1EA
8	Net	1set

Install the unit:

1. Slide the support frame (2) all the way thru the vinyl edge of net as shown, then install the support frame (2) to Base frame (1), secure them with Tension Knob (4).
2. Slide the upper U shaped frame (3) thru the vinyl edge of top part of net, then install the upper U frame (3) to support frame (2) with eye bolts (6) and hex nuts (5).
3. Hook the bungee cord to eye bolt (6).





FBPROK
Pro Kicking Cage



FBPROK components



FBPROK Base



Rear bungee w/eyes



Slide each upright into the base



Complete both sides



Attach eye/w bungee to top



Put net on top over-hang



Completed unit