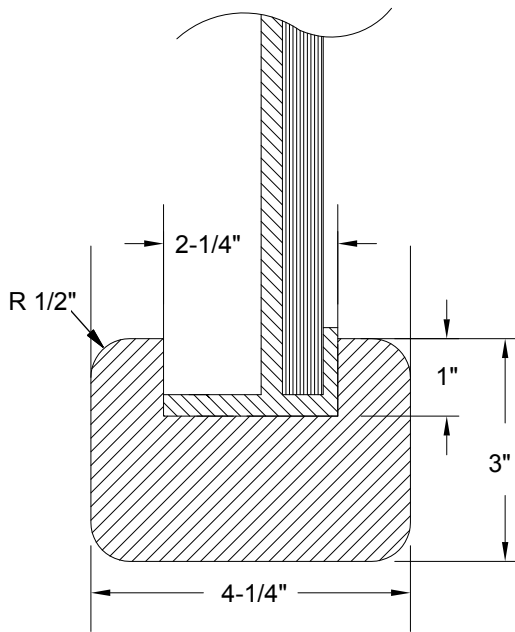
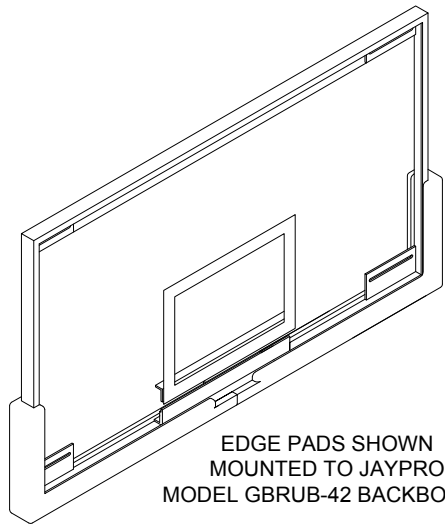
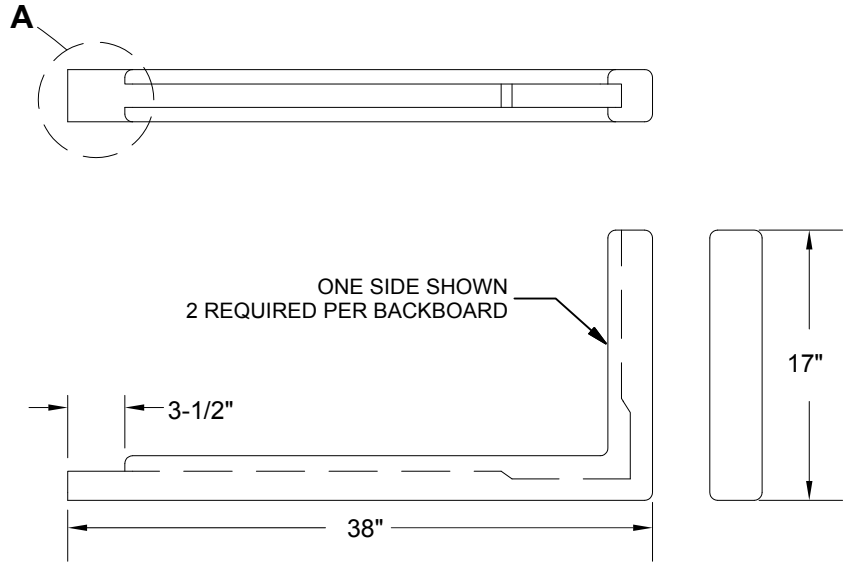




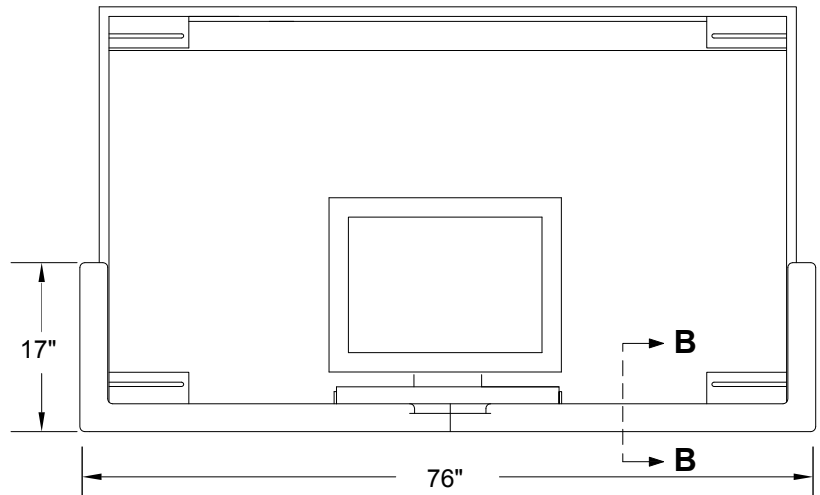
GBB-2 GLUE-ON EDGE PADDING



SECTION B-B



EDGE PADS SHOWN MOUNTED TO JAYPRO MODEL GBRUB-42 BACKBOARD



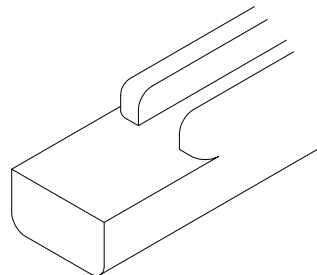
PROJECT NAME _____

PROJECT NUMBER _____

ARCHITECT _____

CONTRACTOR _____

NOTES _____



DETAIL A

AVAILABLE IN GRAY COLOR



GBB-2

GLUE-ON EDGE PADDING

© COPYRIGHT 2014 JAYPRO SPORTS, LLC. ALL RIGHTS RESERVED
 THIS PRINT IS THE PROPERTY OF JAYPRO SPORTS, LLC. AND MAY NOT BE REPRODUCED WITHOUT WRITTEN PERMISSION

www.jaypro.com
 (800) 243-0533
 976 Hartford Turnpike
 Waterford, CT 06385 USA



SPECIFICATION SHEET

The GBB-2 edge padding shall meet all the requirements/recommendations of the NCAA, NFSHSA, WNBA, and NBA. The padding shall cover the bottom surface of the board and the side surface to a distance of 15" and be not less than 2" thick. The front and back surface shall be covered to a minimum distance of ¾" up from the bottom and be not less than 1" in thickness. The padding shall be 1" thick from the front and back surfaces of the backboard.

Competition series glue on backboard edge guards are for 72" wide glass backboards. Molded from color matched self-skinning urethane foam in two-piece design. The exterior of the GBB-2 pads are of a tough molded urethane skin to provide the exterior with a uniform colored appearance. GBB-2 edge padding is available in gray color.

Packaged in pairs, one pair will complete one backboard. Contact Cement is provided for attachment of the padding to the board.

WARRANTY

GBB-2 shall be warranted free from manufacturing defects for a period of (1) one year.