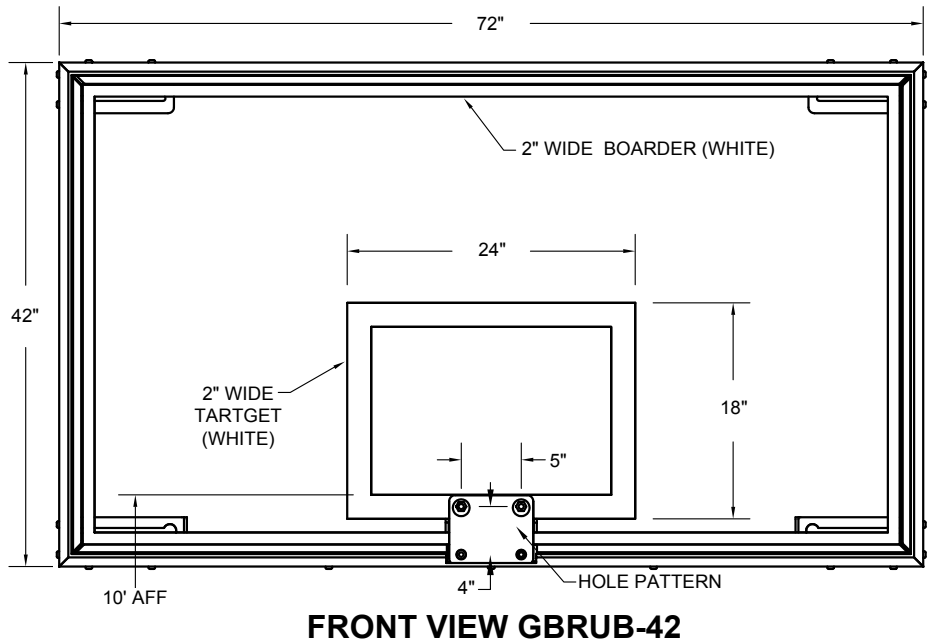
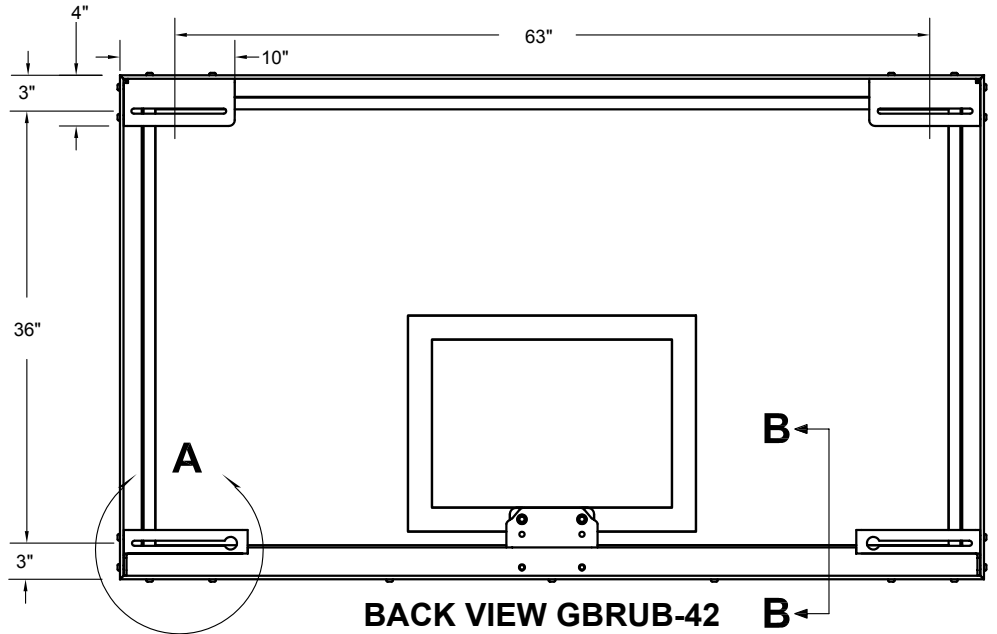
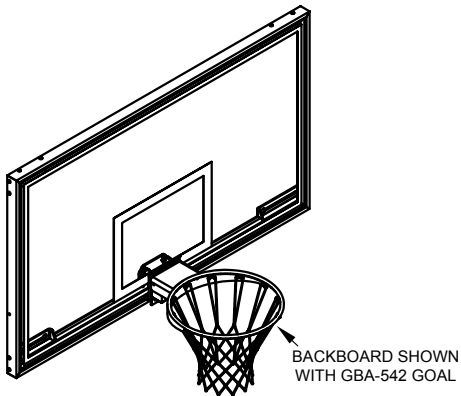
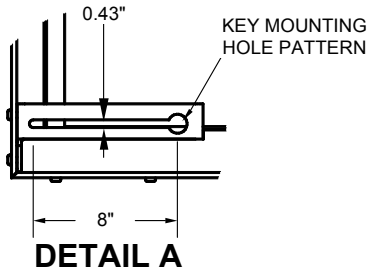
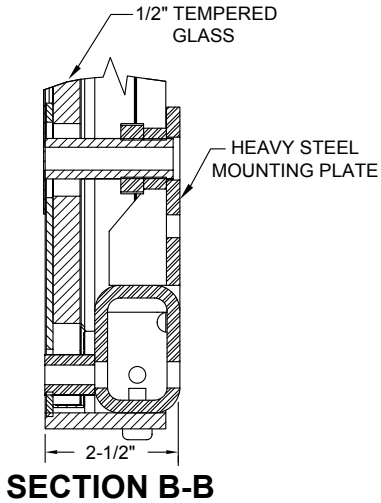




GBRUB-42 42" x 72" TEMPERED GLASS RECTANGULAR BACKBOARD



PROJECT NAME _____

PROJECT NUMBER _____

ARCHITECT _____

CONTRACTOR _____

NOTES _____

OPTIONAL EQUIPMENT:

GOAL: BREAKAWAY OR FIXED (SPECIFY) WITH FRONT MOUNT 4" x 5" HOLE PATTERN

EDGE PADDING: BOLT-ON (Safe-Pro™ MBBP-6) ADHESIVE (GGB-2)



GBRUB-42

42" x 72" TEMPERED GLASS RECTANGULAR BACKBOARD WITH REINFORCED ALUMINUM FRAME

© COPYRIGHT 2014 JAYPRO SPORTS, LLC. ALL RIGHTS RESERVED THIS PRINT IS THE PROPERTY OF JAYPRO SPORTS, LLC. AND MAY NOT BE REPRODUCED WITHOUT WRITTEN PERMISSION

www.jaypro.com
 (800) 243-0533
 976 Hartford Turnpike
 Waterford, CT 06385 USA



SPECIFICATION SHEET

BACKBOARD

Backboard shall be 42" x 72" to meet all NCAA, NFHSA, WNBA and NBA requirements. ½" tempered glass cushioned within a shock absorbing vinyl gasket. Constructed of high strength clear anodized aluminum channel outer frame with engineered lower reinforced steel member. Designed to transfer impact load on goal directly to support structure, without imparting any stress on the glass. May be used with either direct mount or four-corner-mounting applications. Standard mounting slots provided at 36" x 62"/66" on the rear corners of the board. Pre-drilled for Safe-Pro™ bolt-on edge padding. Official "white" border and target to be permanently fused into the face of the glass.

GOAL MOUNTING

Goal mounting pattern is 4" x 5". Goal mounting plate is offset from glass to eliminate direct contact and eliminate stress. Added feature provides independent leveling of the goal.

WEIGHT

200 lbs.

WARRANTY

The GBRUB-42 Glass Backboard has a limited lifetime warranty. This warranty warrants the end user against breaks and/or cracks in the Glass Backboard for the lifetime of the product, when subjected to normal use and conditions.

OPTIONS

Goals with a 4" x 5" mounting pattern, Edge Padding (MBBP-6, Safe-Pro™ Bolt-On Edge Padding or GBB-2, Glue-On Edge Padding)