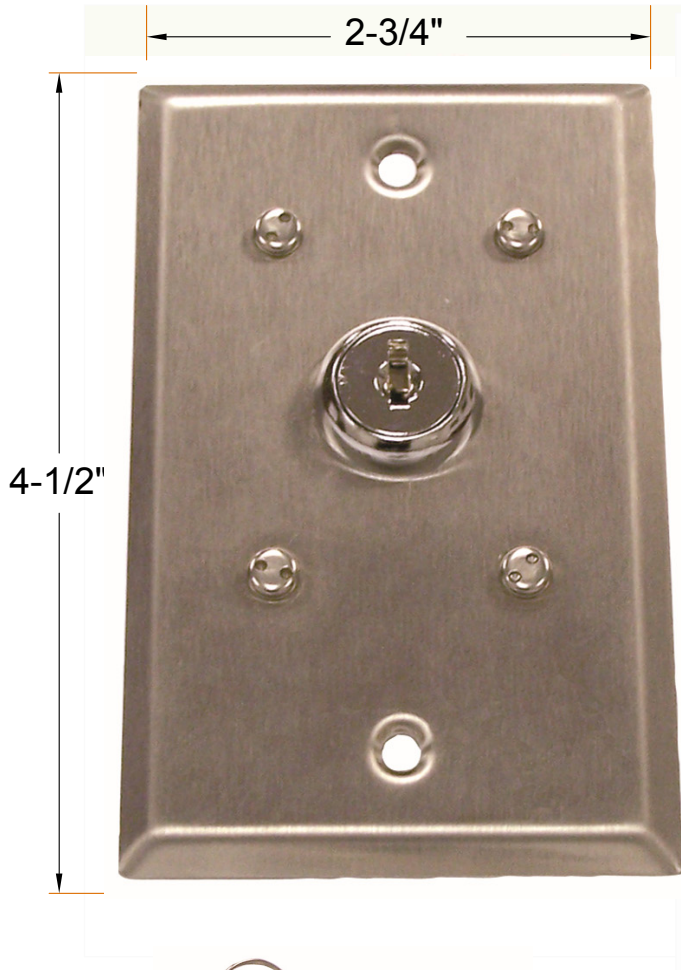




KS-13 MOMENTARY CONTACT KEY SWITCH

FRONT VIEW

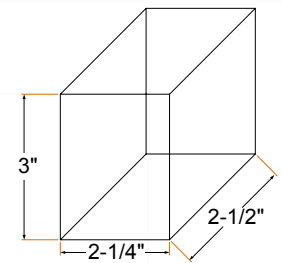


SIDE VIEW

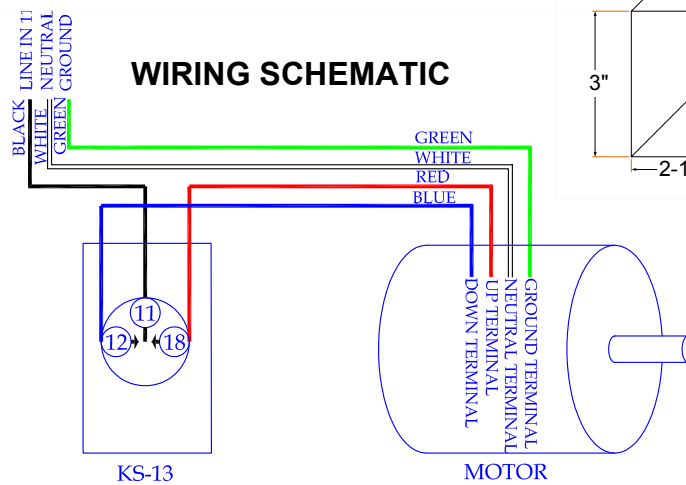


2 KEYS PROVIDED PER SWITCH

ELECTRICAL DEVICE BOX (SUPPLIED BY OTHERS)



WIRING SCHEMATIC



PROJECT NAME _____

PROJECT NUMBER _____

ARCHITECT _____

CONTRACTOR _____

NOTES _____



KS-13

MOMENTARY CONTACT KEY SWITCH

© COPYRIGHT 2014 JAYPRO SPORTS, LLC. ALL RIGHTS RESERVED
THIS PRINT IS THE PROPERTY OF JAYPRO SPORTS, LLC. AND MAY NOT BE REPRODUCED WITHOUT WRITTEN PERMISSION

www.jaypro.com
(800) 243-0533
976 Hartford Turnpike
Waterford, CT 06385 USA

Sheet 1 of 2



SPECIFICATION SHEET

Momentary Contact Three Position Key Switch KS-13 mounted on a stainless steel cover comes standard with two keys. Key switch is designed to control a 110V/15A Backstop winch (TW-2000 / SBBW-4), Curtain winch (CW-1800 / TR-2500CV / SBCW-3), Mat hoist (MW4600 / MWS4600), or Electric Height Adjuster (EHA-XX). Key switch is spring loaded with automatic return to OFF. Two momentary positions, UP and DOWN are provided utilizing the same key. The allows the operator to instantly reverse the direction of the device during operation. The key switch should only be used with winches offering this advantage.

Key switch should be mounted into a device box, supplied by others, that is at least 3" x 2-1/4" x 2-1/2" (H x W x D) and a minimum of 15 cubic inches in capacity. Key switch should be mounted in clear view of the operated equipment to ensure of unobstructed view during operation. All wires, device boxes and wiring shall be done to local codes by the electrical contractor.

The UL recognized KS-13 is rated at 15A at 125VAC. Three solder less connectors are provided for attaching wires to the terminals.

Multiple gage operations are available from 2-6 gage plates. Refer to GPWKS specification for additional information.