

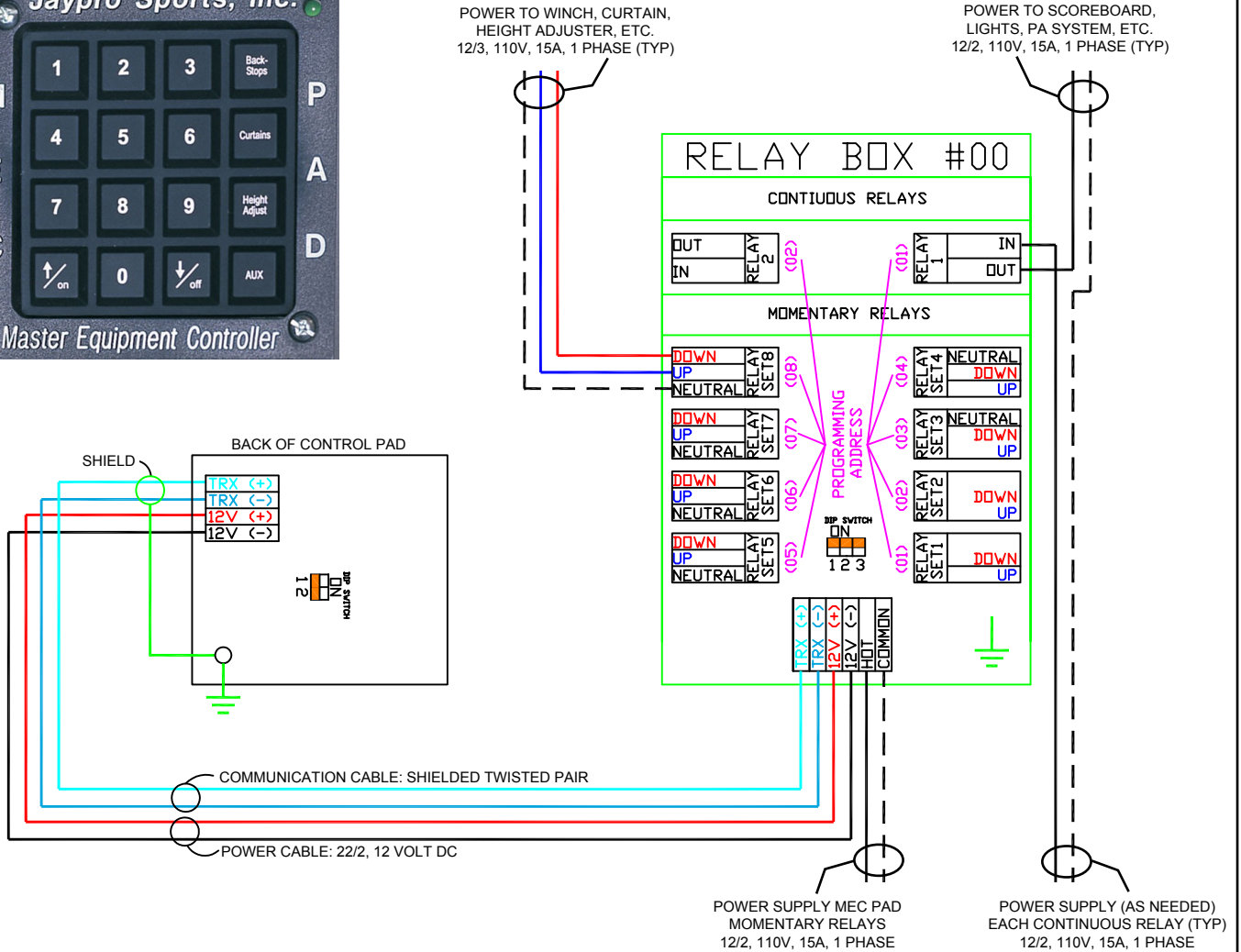


MEC-99-XX MASTER EQUIPMENT CONTROLLER

TOUCH PAD



MEC-99-XX SIMPLE WIRING SCHEMATIC



RELAY BOX



PROJECT NAME _____

PROJECT NUMBER _____

ARCHITECT _____

CONTRACTOR _____

NOTES _____



INNOVATION, PERFORMANCE AND COMMITMENT SINCE 1953

MEC-99-XX

MASTER EQUIPMENT CONTROLLER

© COPYRIGHT 2014 JAYPRO SPORTS, LLC. ALL RIGHTS RESERVED THIS PRINT IS THE PROPERTY OF JAYPRO SPORTS, LLC. AND MAY NOT BE REPRODUCED WITHOUT WRITTEN PERMISSION

www.jaypro.com
(800) 243-0533
976 Hartford Turnpike
Waterford, CT 06385 USA

Sheet 1 of 2



SPECIFICATION SHEET

The Jaypro Master Equipment Controller (MEC-99-XX) is a gymnasium equipment controller that replaces the need for key switches to operate equipment. The system consists of a keypad manufactured of heavy duty screened rubber touch pad and an electrical enclosure that houses a printed relay circuit board. The low voltage touch pad, 12V DC, is to be mounted at such a position in the gymnasium as to allow a clear line of site to all the equipment under the control of the system. The touch pad fits into a standard 4" x 4" electrical box with diagonal mounting holes. The system shall be protected by a fully programmable 4-digit security code entered at the touch pad. The touch pad will provide communication to the relay box enclosure.

The Relay box shall distribute voltage to the appropriate winch that is to be operated as a result of a code being sent from the touch pad to the relay box. The Relay box comes standard with 8 sets of momentary contact relay pairs as well as two auxiliary relays. The momentary contact relay pairs are for controlling the UP and Down functions of gymnasium equipment. The auxiliary relays are to control separate circuits to control continuous contact items such as stage lights, PA systems, Shot clocks or Scoreboards.

Relay boxes may be used in conjunction with each other thereby allowing for additional pieces of equipment to be operated by the same touch pad. Momentary relays are powered one at a time. This configuration allows all winches to utilize the same power source (120V, 15A max, Single phase). Continuous relays require their own dedicated power source, (120V, 15A max, Single phase).

Relay boxes should be mounted in accessible locations.

The MEC-99 system shall be warranted for a period of one year to be free from manufacturing defects. The wire, wiring and programming shall be the responsibility of the electrical contractor. Jaypro does not warrant any of the electrical work done by others. Any damage caused by faulty wiring or electrical problems shall not be the responsibility of Jaypro Sports, LLC.

The MEC-99 system shall be UL listed. Any control system that is not UL listed shall not be considered equal.