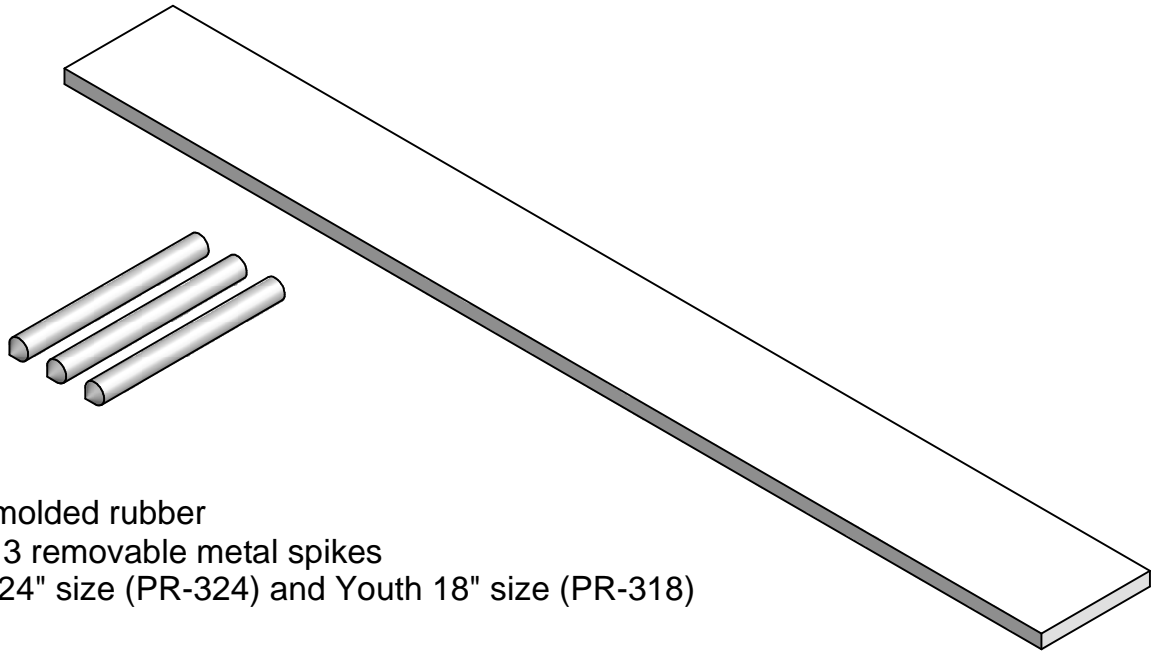
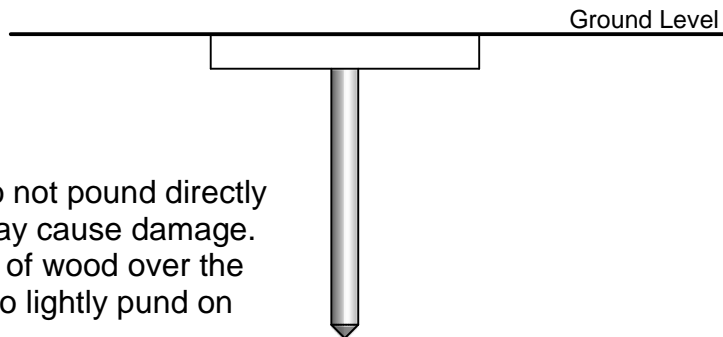


PR-324/PR-318

Pitcher's Plate with Spikes




- Heavy molded rubber
- Include 3 removable metal spikes
- Official 24" size (PR-324) and Youth 18" size (PR-318)



NOTE: When installing do not pound directly on the plate because it may cause damage. Place a 2 inch thick piece of wood over the plate and use a hammer to lightly pund on the block of wood.

CAUTION

Installer should make sure pitcher's plate is level with playing surface.

REV.	DESCRIPTION	DATE	BY		www.jaypro.com	DRAWING NAME / PART NUMBER: PR-324/PR-318	
				PR-324/PR-318		DRAWN BY: DC	ISSUE DATE: 6/12/2006
				Pitcher's Plate w/ Spikes		CHK'D BY: BTS	SHEET: 1 OF 1
<small>COPYRIGHT 2006 JAYPRO SPORTS, LLC. ALL RIGHTS RESERVED</small>				<small>THIS PRINT IS THE PROPERTY OF JAYPRO SPORTS, LLC. AND MAY NOT BE REPRODUCED WITHOUT WRITTEN PERMISSION</small>		<small>JAYPRO SPORTS, LLC, 976 HARTFORD TURNPIKE, WATERFORD, CT 06385 USA</small>	