



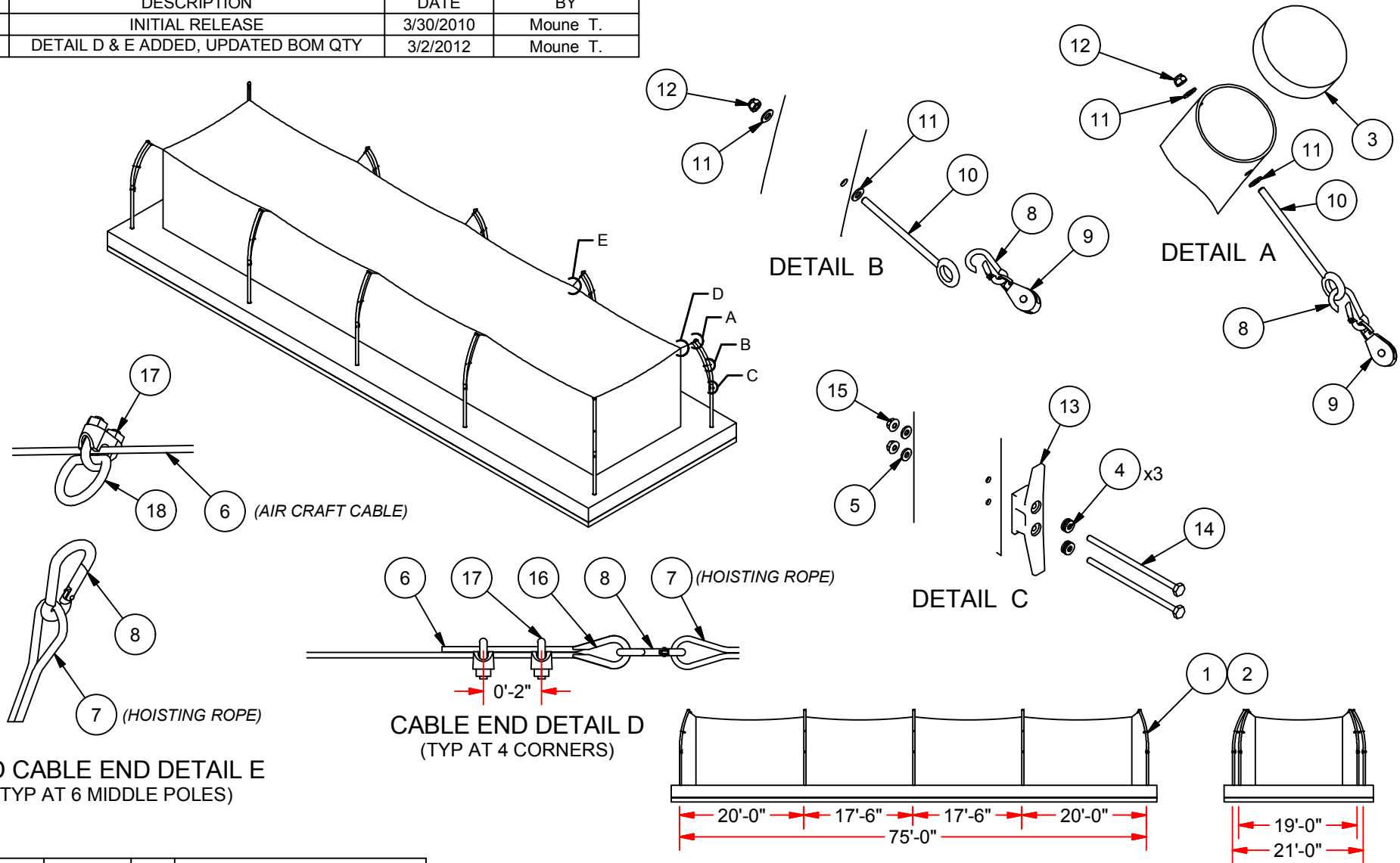
**--- PROTf-70 / PROTf-55 ---**  
**(PROFESSIONAL BATTING TUNNEL)**  
**Installation Instructions**




Call Jaypro Sports Equipment at 1-800-243-0533  
during regular business hours for technical support.

[www.jaypro.com](http://www.jaypro.com)

REV	DESCRIPTION	DATE	BY
-	INITIAL RELEASE	3/30/2010	Moune T.
A	DETAIL D & E ADDED, UPDATED BOM QTY	3/2/2012	Moune T.



ITEM	QTY	PART #	REV	DESCRIPTION	ITEM	QTY	PART #	REV	DESCRIPTION
10	20	HB5012	N/A	3/8"-16 x 5" LONG THREADED EYEBOLT, ZP	1	10	PROTF-1	-	4" OD CURVED BATTING TUNNEL TUBE
11	40	HW2050	N/A	3/8" FLAT WASHER SAE, ZP	2	10	SGP-445G	B	4" OD GROUND SLEEVE
12	20	HN265	N/A	3/8"-16 HEX HD LOCKNUT, ZP	3	10	EP0027	N/A	4" PLASTIC PIPE CAPS, BLACK
13	10	HM6331	N/A	6" LONG GALV. STEEL CLEAT	4	60	HW781	N/A	1/4" WASHER LOCK MD STL, SS
14	20	HS5077	N/A	1/4"-20 x 5 1/2" HEX HD SCREW, ZP	5	20	HW2093	N/A	1/4" SAE FLAT WASHER, ZP
15	20	HN256	N/A	1/4"-20 NYLON LOCKNUT, ZP	6	2	RC5012	N/A	3/16" GALV. AIRCRAFT CABLE x 76 FT
16	4	HM251	N/A	3/16" CABLE THIMBLES	7	10	CR0017	N/A	5/16 - #10 POLYESTER WHITE BRAIDED HOISTING ROPE x 20 FT
17	14	HM218	N/A	3/16" CABLE CLAMPS					
18	6	HM6022	N/A	1/8" x 1" DIA STEEL RINGS	8	30	HM5013	N/A	1/4" x 2 3/8" SNAP HOOK
19	200	RP5013	N/A	PLASTIC ZIP TIES HEAVY DUTY, BLACK	9	20	HM6226	N/A	1 1/2" SWIVEL PULLEY



976 Hartford Turnpike  
Waterford, CT 06385 USA  
(800)243-0533 Fax: (800)988-3363  
www.jaypro.com

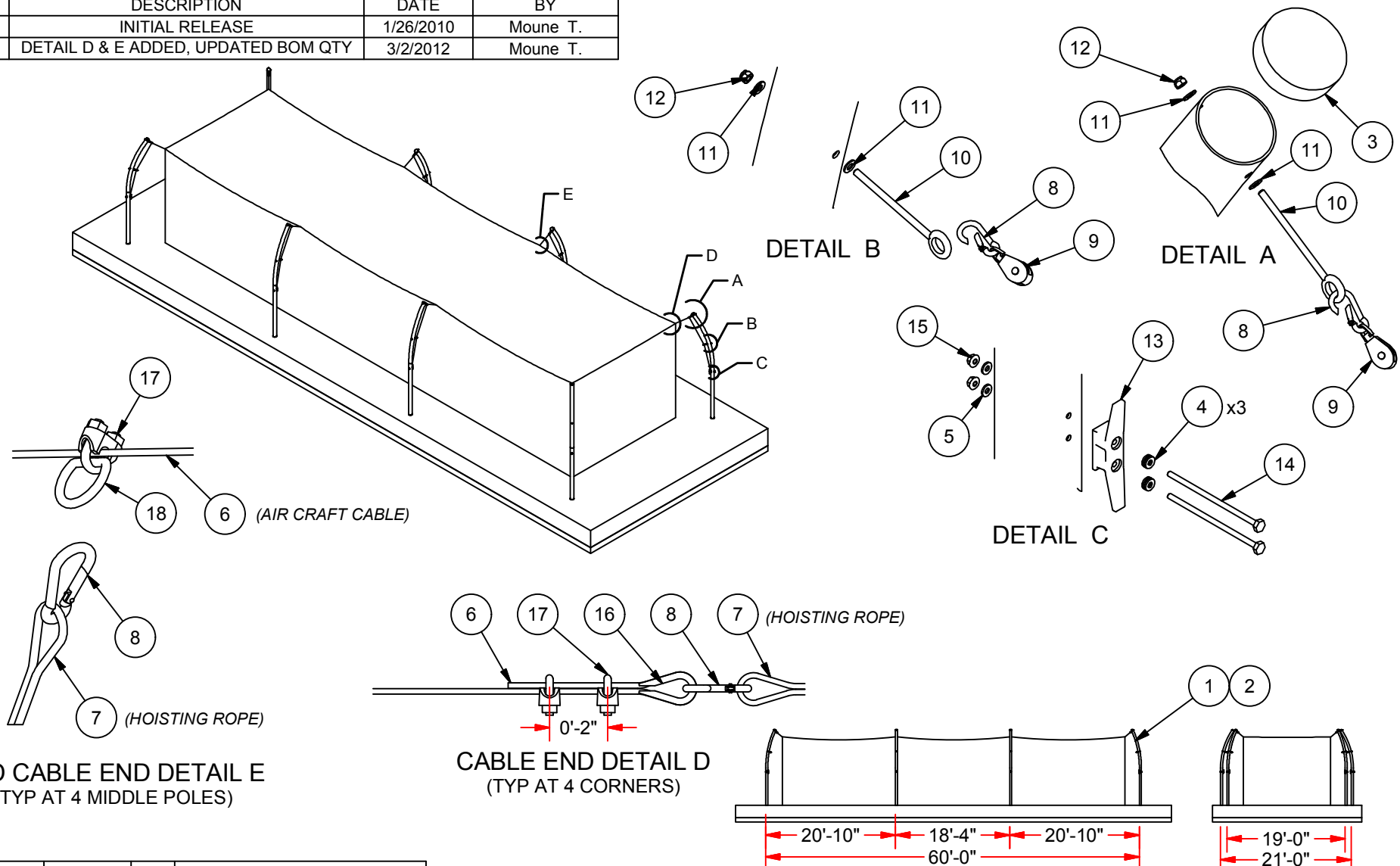
MODEL NUMBER: **PROTF-70**

PRODUCT NAME:  
**70 FT NET PROFESSIONAL OUTDOOR BATTING TUNNEL FRAMES**

DATE: 3/30/2010    REV: A    DRAWN BY: Moune T.

CHECKED BY:  
WVB


REV	DESCRIPTION	DATE	BY
-	INITIAL RELEASE	1/26/2010	Moune T.
A	DETAIL D & E ADDED, UPDATED BOM QTY	3/2/2012	Moune T.



MID CABLE END DETAIL E  
(TYP AT 4 MIDDLE POLES)

CABLE END DETAIL D  
(TYP AT 4 CORNERS)

ITEM	QTY	PART #	REV	DESCRIPTION	ITEM	QTY	PART #	REV	DESCRIPTION
10	16	HB5012	N/A	3/8"-16 x 5" LONG THREADED EYEBOLT, ZP	1	8	PROTF-1	-	4" OD CURVED BATTING TUNNEL TUBE
11	32	HW2050	N/A	3/8" FLAT WASHER SAE, ZP	2	8	SGP-445G	B	4" OD GROUND SLEEVE
12	16	HN265	N/A	3/8"-16 HEX HD LOCKNUT, ZP	3	8	EP0027	N/A	4" PLASTIC PIPE CAPS, BLACK
13	8	HM6331	N/A	6" LONG GALV. STEEL CLEAT	4	48	HW781	N/A	1/4" WASHER LOCK MD STL, SS
14	16	HS5077	N/A	1/4"-20 x 5 1/2" HEX HD SCREW, ZP	5	16	HW2093	N/A	1/4" SAE FLAT WASHER, ZP
15	16	HN256	N/A	1/4"-20 NYLON LOCKNUT, ZP	6	2	RC5012	N/A	3/16" GALV. AIRCRAFT CABLE x 61 FT
16	4	HM251	N/A	3/16" CABLE THIMBLES	7	8	CR0017	N/A	5/16 - #10 POLYESTER WHITE BRAIDED HOISTING ROPE x 20 FT
17	14	HM218	N/A	3/16" CABLE CLAMPS					
18	4	HM6022	N/A	1/8" x 1" DIA STEEL RINGS	8	24	HM5013	N/A	1/4" x 2 3/8" SNAP HOOK
19	150	RP5013	N/A	PLASTIC ZIP TIES HEAVY DUTY, BLACK	9	16	HM6226	N/A	1 1/2" SWIVEL PULLEY



976 Hartford Turnpike  
Waterford, CT 06385 USA  
(800)243-0533 Fax: (800)988-3363  
www.jaypro.com

MODEL NUMBER: **PROTF-55**

PRODUCT NAME:  
**55 FT NET PROFESSIONAL OUTDOOR BATTING TUNNEL FRAMES**

DATE: 1/6/2010    REV: A    DRAWN BY: Moune T.

CHECKED BY:  
WVB

**JAYPRO SPORTS**  
PROTF-70 & PROTF-55, PROFESSIONAL BATTING TUNNEL

**IMPORTANT NOTICE:**

- 1) BEFORE EACH USE CHECK EQUIPMENT FOR PROPER CONNECTING HARDWARE AND STRUCTURAL INTEGRITY. REPLACE DAMAGED OR MISSING HARDWARE IMMEDIATELY.
- 2) USE OF THIS EQUIPMENT OTHER THAN INTENDED, MAY BE HAZARDOUS.
- 3) ALTERATION OR MODIFICATION OF THIS EQUIPMENT MAY BE HAZARDOUS AND RESULT IN INJURY. FOR REPAIR OR REPLACEMENT, CONTACT YOUR DEALER OR JAYPRO SPORTS.

ASSEMBLY INSTRUCTIONS

**TOOLS REQUIRED:**

- (1) 7/16" and 9/16" Socket Wrench and Box Wrench
- (1) 7/16" Nut Driver
- (1) Rubber Mallet

- 1) Unpack all parts and check against parts list to ensure that all have been included.
- 2) Inspect all parts for damage. Report any damages to the trucking company.
- 3) Select a site for the tunnel frame that is flat and clear of obstructions. The ground should be level and free of debris. The area required for a PROTF-55 is 62 ft x 23 ft. The area required for a PROTF-70 frame is 78 ft x 23 ft.
- 4) Layout the ground sleeves as shown in Figure 1. (Note: the PROTF-55 frame is designed for a 55 ft long net, and the PROTF-70 is designed for a 70 ft long net. If frame is being installed for a different length net, the overall length of the frame should be 4 ft longer and wider than the net.)
- 5) Dig footing holes and install the ground sleeves as shown in Figure 2. Allow the concrete to cure.
- 6) Install hardware on each pole as shown in Figure 3. Attach the hoisting ropes by feeding them through the pulleys. Attach a spring clip (#8) to the end of each hoisting rope as shown in Figure 4. Tie a bowline knot in the other end of the rope.
- 7) Insert a pole in each sleeve. Note that the corner poles are angled at 45 degrees towards the corner of the net
- 8) Make up the ends of the cable as shown in Figure 5. The cables should measure roughly 56 ft or 71 ft, from thimble to thimble.
- 9) Roll out the net inside the frame. Center it and spread it out flat.
- 10) Lay the two cables along the top two outer edges of the net. Attach both cables to the net binding with zip ties, spaced roughly every 12".
- 11) Lower the hoisting ropes on the four corner poles and attach the cable ends and net to each. Hoist each line so the net is approximately 4 to 5 feet above the ground.

- 12) Lower the other hoisting ropes and attach the spring clips to the cable.
- 13) Evenly raise the net to its maximum height. You may need to adjust where the intermediate hoisting ropes are attached, from one side of a zip tie to the other.
- 14) Adjust the position of the net so it is centered. Now lower the net to about 4 ft above the ground and attach a D-ring (#18) at each intermediate attachment point, as shown in figure 6. This will make future installation of the net a snap. Attach the spring clip onto the D-ring.
- 15) Fully raise the net and cleat-off the hoisting rope. Tie off the corners of the net by attaching a chord from the corner to the cable thimble.

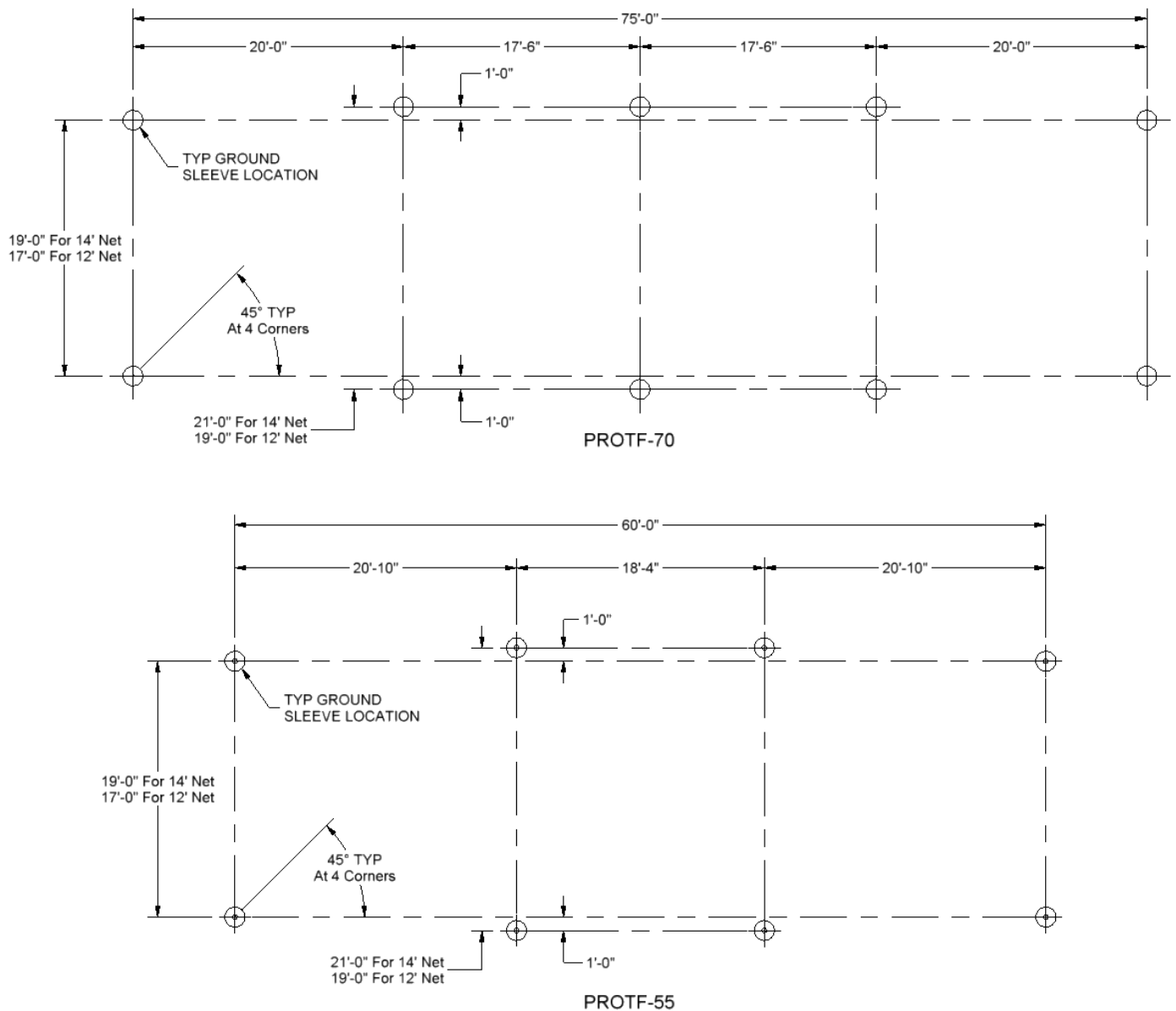


FIGURE: 1 - FRAME LAYOUT

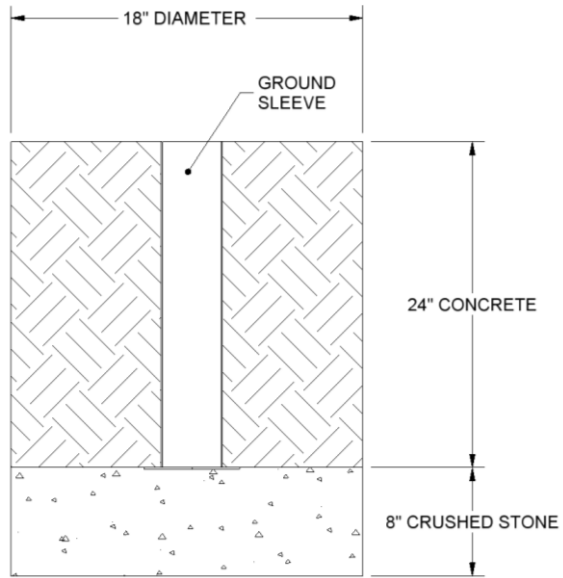


FIGURE: 2 – FOOTING DETAIL

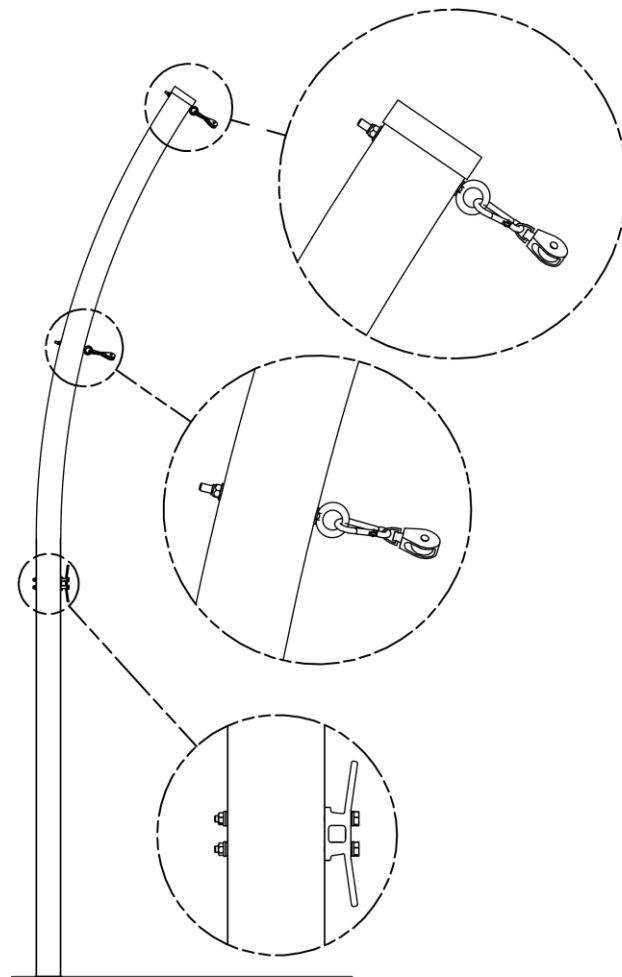
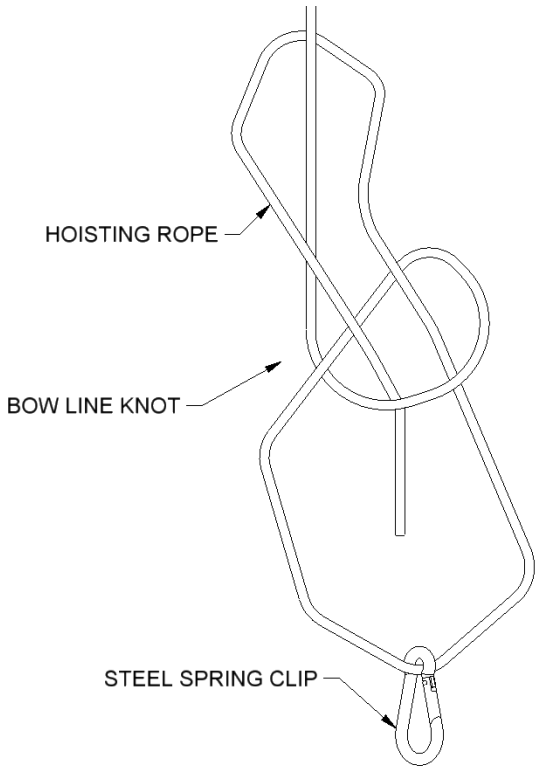
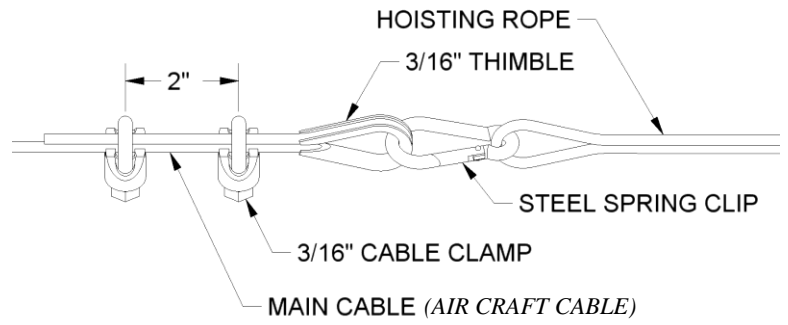


FIGURE: 3



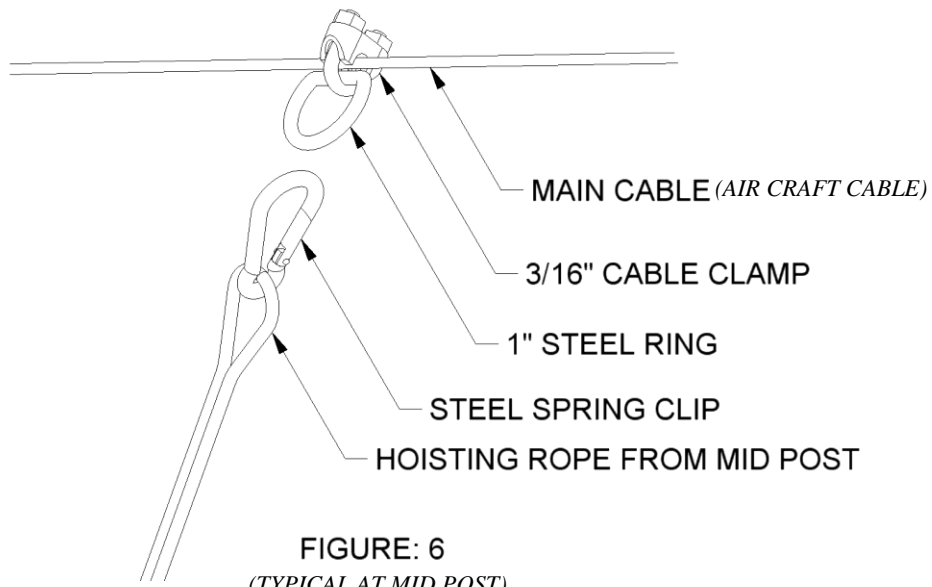
**FIGURE: 4**

(ATTACHES TO FIGURE: 5 THIMBLE OR FIGURE: 6 STEEL RING)



**FIGURE: 5**

(TYPICAL AT 4 CORNERS)



**FIGURE: 6**

(TYPICAL AT MID POST)