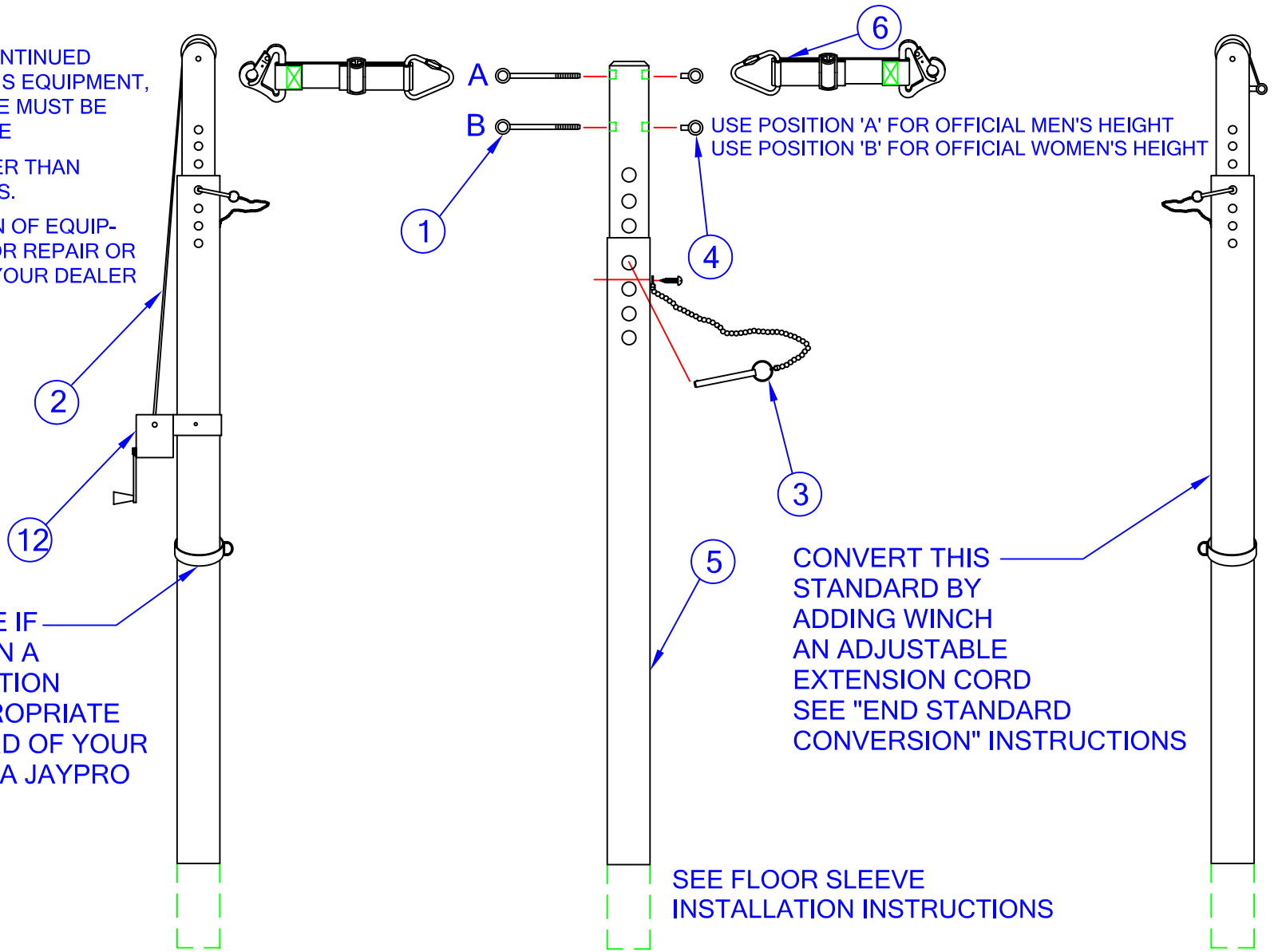


PLEASE NOTE:

- 1) FOR SAFE OPERATION AND CONTINUED HIGH PERFORMANCE FROM THIS EQUIPMENT, INSPECTION AND MAINTENANCE MUST BE PERFORMED BEFORE EACH USE
- 2) USE OF THIS EQUIPMENT OTHER THAN INTENDED, MAY BE HAZARDOUS.
- 3) ALTERATION OR MODIFICATION OF EQUIPMENT MAY BE HAZARDOUS. FOR REPAIR OR REPLACEMENT, PLEASE CALL YOUR DEALER

FOR YOUR CONVENIENCE IF USING A NET OTHER THAN A JAYPRO "FLEX NET"-POSITION 'D' RING STRAPS AS APPROPRIATE TO FASTEN BOTTOM CORD OF YOUR NET. NOT USED IF USING A JAYPRO "FLEX NET" (PVBN-6)



IMPORTANT

THE SIDE BY SIDE SYSTEMS MUST BE TENSIONED SIMULTANEOUSLY TO PREVENT OVER TENSIONING THE END STANDARDS

# Jaypro Sports

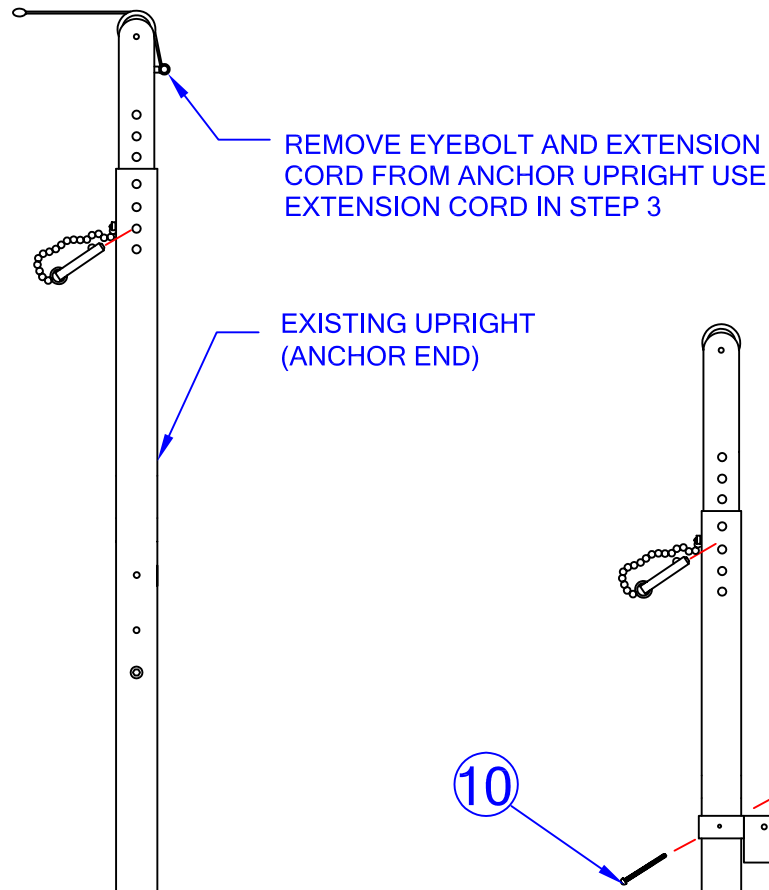
976 Hartford Turnpike  
Waterford, CT 06385 USA  
(800)243-0533  
(800)988-3363 Fax  
www.jaypro.com

MODEL NO.:  
**PVB-300C**

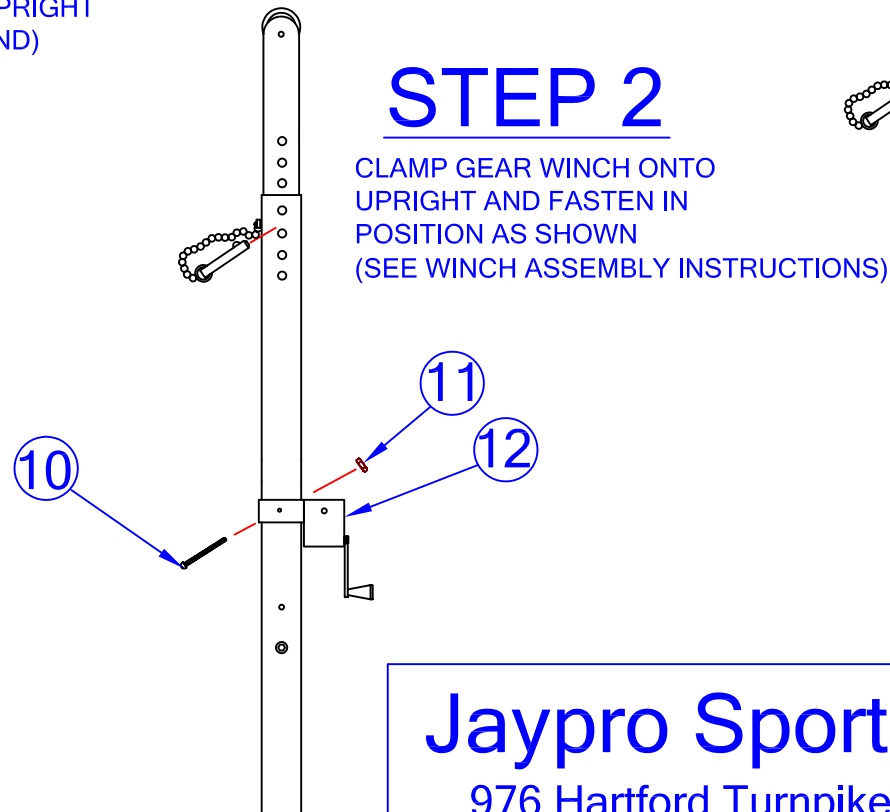
PRODUCT NAME:  
**CLASSIC VOLLEYBALL  
CENTER STANDARD**

DRAWN BY: JAC      EFFECTIVE DATE:  
**6-2-03**

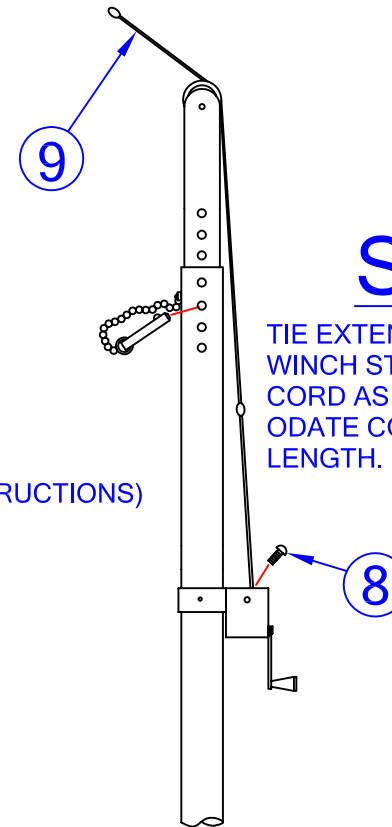
# ILLUSTRATION # 23 STEPS TO CONVERT EXISTING ANCHOR END UPRIGHT TO WINCH END



## STEP 1

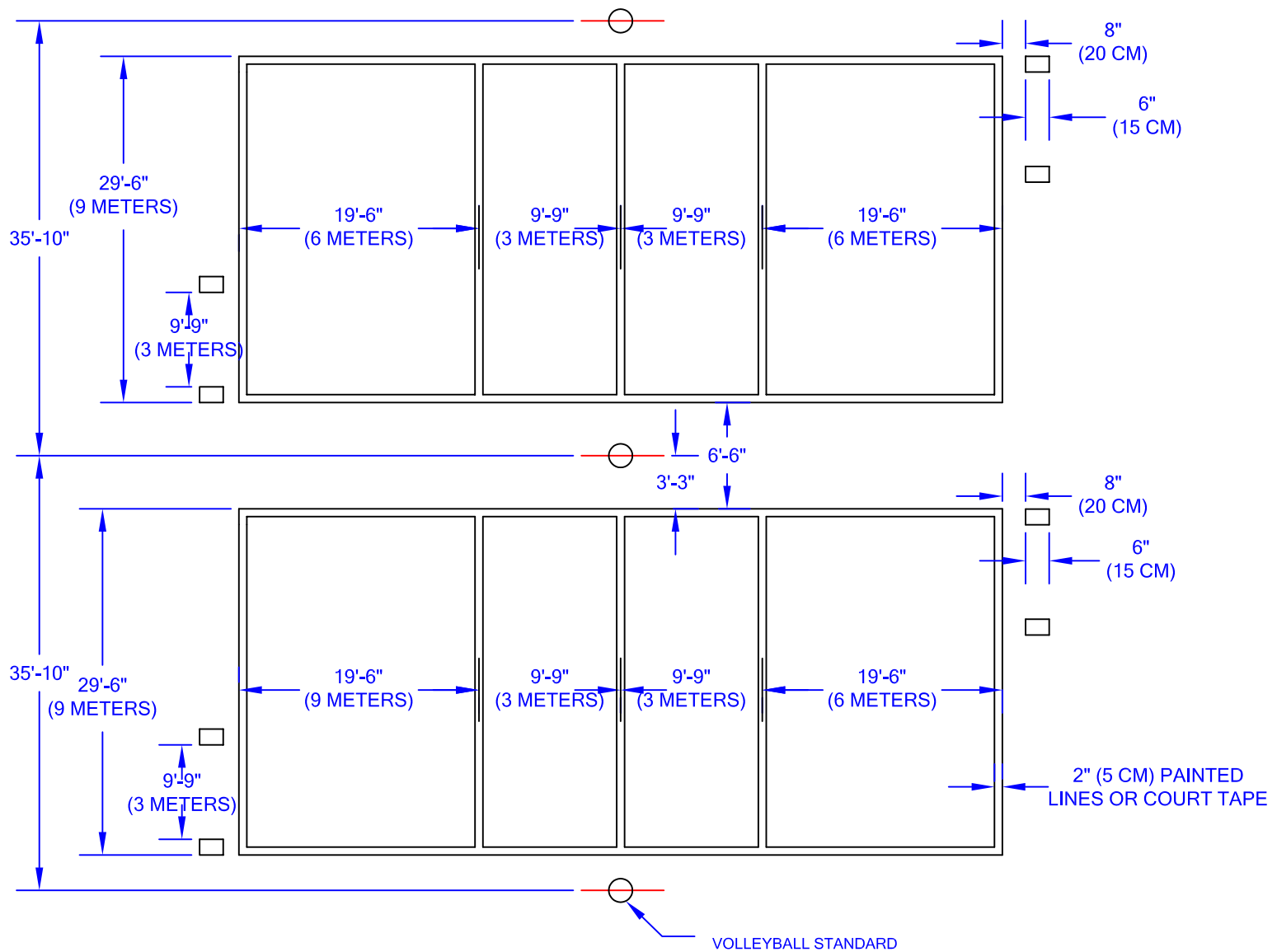


## STEP 2



## STEP 3

<b>Jaypro Sports</b> 976 Hartford Turnpike Waterford, CT 06385 USA (800)243-0533 (800)988-3363 Fax www.jaypro.com	MODEL NO.: <b>PVB-300C</b>	
	PRODUCT NAME: CLASSIC VOLLEYBALL END STANDARD CONVERSION	
	DRAWN BY: JAC	EFFECTIVE DATE: <b>3-24-03</b>



**IMPORTANT**

COURT DIMENSIONS SHOWN COMPLY WITH SPECIFICATIONS FOR:

- U.S.V.B.A.
- F.I.V.B.
- N.C.A.A.

COURT SIZE SPECIFICATIONS FOR THE N.F.S.H.S.A. ARE

- 30'W x 60'L.
- CENTER LINE TO BE 4" WIDE.
- SPIKE LINE TO BE 10' FROM CENTER LINE.
- SERVING AREA TO BE 10' LONG.

# Jaypro Sports

976 Hartford Turnpike  
 Waterford, CT 06385 USA  
 (800)243-0533  
 (800)988-3363 Fax  
 www.jaypro.com

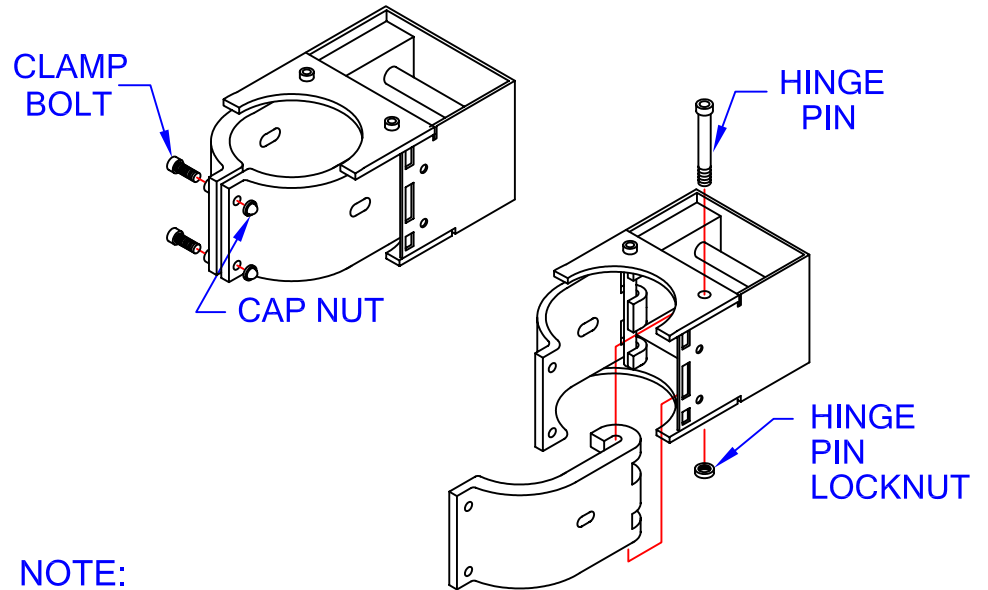
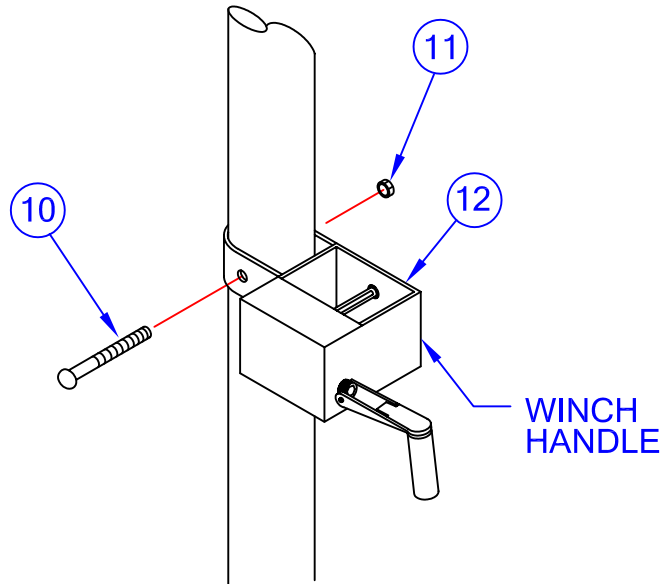
MODEL NO.:  
**PVB-300C**

PRODUCT NAME:  
**CLASSIC VOLLEYBALL  
 DOUBLE COURT LAYOUT**

DRAWN BY: JAC

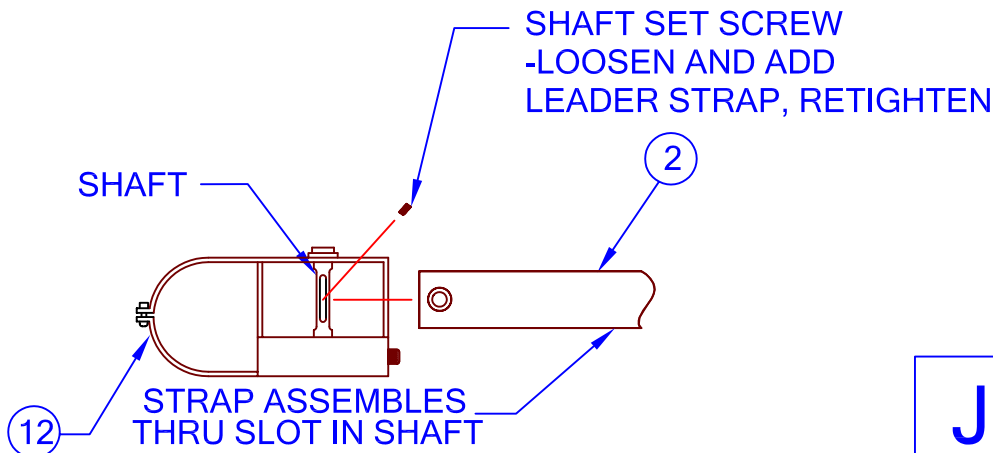
EFFECTIVE DATE:  
**3-20-03**

### 3" UPRIGHT



#### NOTE:

- ALIGN THE CLAMP BRACKETS TO THE INSIDE OF THE WINCH HOUSING, SLIP THE HINGE PIN THRU THE HINGE TABS OF THE CLAMP BRACKET, THEN SECURELY FASTEN WITH THE HINGE PIN LOCKNUT.
- SLIDE THE WINCH ASSEMBLY ONTO THE VOLLEYBALL STANCHION AND ALIGN SLOT IN CLAMP BRACKET WITH MOUNTING HOLES ON STANCHION.
- FIRMLY SECURE THE CLAMP BOLTS THEN ADD THE CAP NUTS TO COVER THE ENDS OF EACH CLAMP BOLT.



WINCH STRAP REPLACEMENT

## Jaypro Sports

976 Hartford Turnpike  
Waterford, CT 06385 USA  
(800)243-0533  
(800)988-3363 Fax  
www.jaypro.com

MODEL NO.:  
**PVB-300C**

PRODUCT NAME:  
CLASSIC VOLLEYBALL SYSTEM  
WINCH ASSEMBLY

DRAWN BY: JAC

EFFECTIVE DATE:  
3-20-03

# JAYPRO SPORTS

## CLASSIC VOLLEYBALL SYSTEM CENTER STANDARD, PVB-300C LIST OF MATERIALS

<u>PIECE NO.</u>	<u>PART NO.</u>	<u>DESCRIPTION</u>	<u>QTY</u>
1	HB5028	3/8"-16 x 3" EYEBOLT	2
2	VBU303	LEADER STRAP ASSEMBLY	1
3	VBU31	ADJUSTMENT PIN	2
4	HN2949	EYENUT 3/8"-16	2
5	PVB301C	VOLLEYBALL STANDARD	2
6	PVB600C2	ADJUSTABLE CENTER STRAP	2
10	HS782	HEX HEAD BOLT 3/8" x 3 1/2"	1
11	HN1230	LOCKNUT 3/8"-16	1
12	VBWINCH	WINCH ASSEMBLY	1

### SAFE USE AND HANDLING

- 1) Use protective padding around the standards when using this volleyball system.
- 2) Before every use, check all fasteners, clips and straps to look for worn or damaged parts.
- 3) These uprights are very heavy and we recommend that they be moved only with two qualified adults.
- 4) It is not necessary to apply excessive top cable tension to achieve the correct net height and playability. Much of that net tension is as a result of the Velcro bottom straps.

### ASSEMBLY INSTRUCTIONS

- 1) Unpack unit and check to see if unit is undamaged and complete as shown on the customer drawing. Read all assembly instructions and caution labels carefully.
- 2) Unit is designed to fit a 3" diameter and 10" deep sleeve of various manufacturers'. Refer to the Double Court Layout Illustration for location of Floor Sleeves.
- 3) Uprights are heavy and it is imperative to have two persons lift and place into floor sleeve. Final configuration will have Gear Winch Assembly on each outside standard. Refer to Illustration #1.
- 4) Gear Winch Assembly (12) supplied with your PVB-300C must be assembled to your existing anchor upright of your PVB-3000 Classic Volleyball System. Refer to Illustration #2 for assembly details. (Step 1)\* Clamp Gear Winch Assembly over existing Anchor Upright and assemble using 3/8"-16 X 3 1/2" Hex Head Screw (10) and 3/8" Locknut (11).  
(Step 2)\* Attach Leader Strap Assembly (2) to Gear Winch Assembly using Set Screw provided in Winch Shaft. The long strap on the winch assembly must first be removed.
- 5) Assemble Captive Strap Assembly (6) with 3/8"-16 X 3" Eye Bolts (1) and 3/8"-16 Eye Nuts (4) to Center Standard Upright (5). Refer to Illustration #1. Use position 'A' for official men's height and position 'B' for official women's height.
- 6) Loop extension cords (provided with end standards only). Can now be securely tied to the short winch straps now located on the two outside standards. Adjust the length of these cords depending on court width and net length.

**NOTE: SEE "NET ATTACHMENT" INSTRUCTIONS**