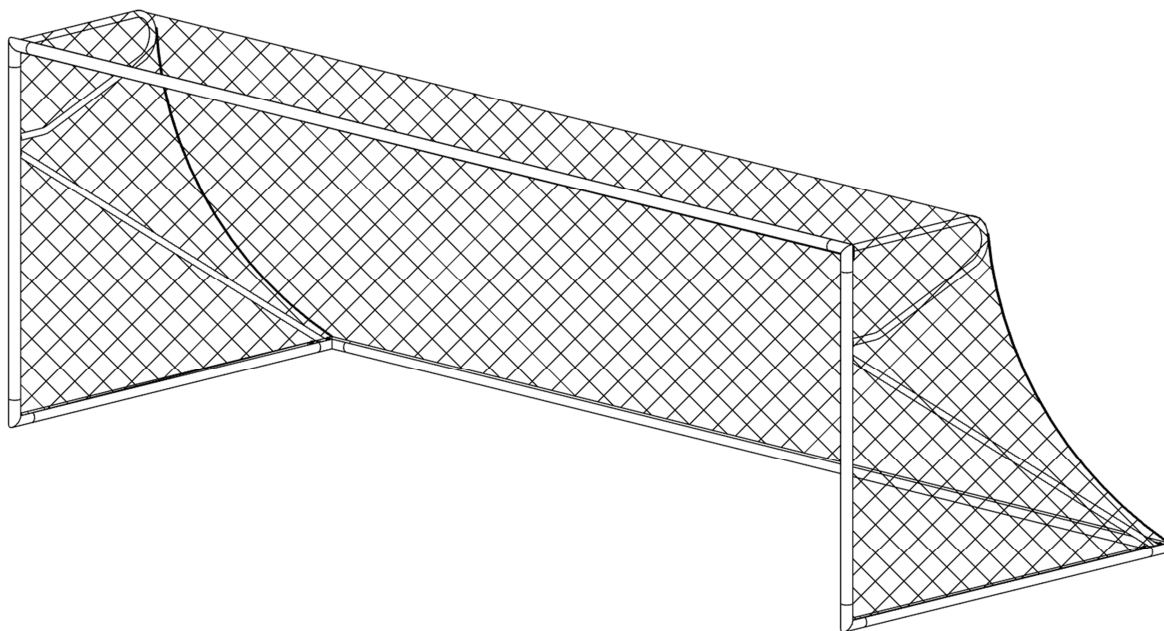




-- CLUB GOALS --
(NOVA CLUB™ ROUND)
Installation Instructions

NOVA CLUB™ ROUND:
RCG-24S

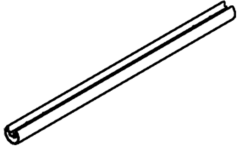
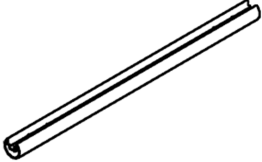
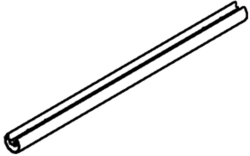
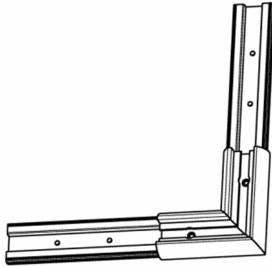
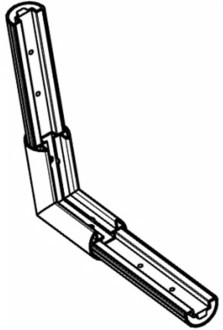
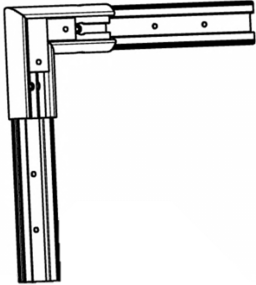


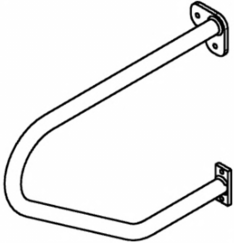
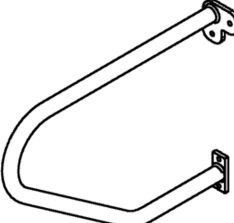


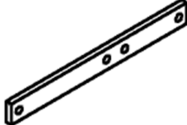
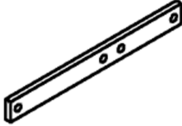


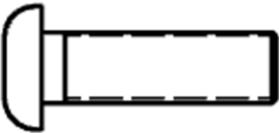
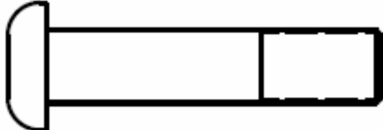
Ground anchors are recommended to meet High School and College regulations. Jaypro also strongly recommends ground anchors for youth goals.

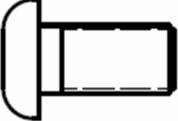
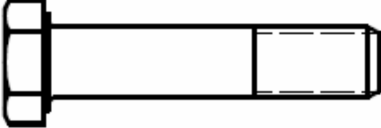
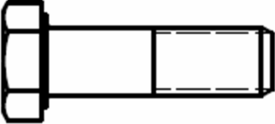
Call Jaypro Sports Equipment at 1-800-243-0533 during regular business hours for technical support.

www.jaypro.com

JAYPRO SPORTS
NOVA CLUB™ ROUND
RCG-24S (QTY: SINGLE GOAL)

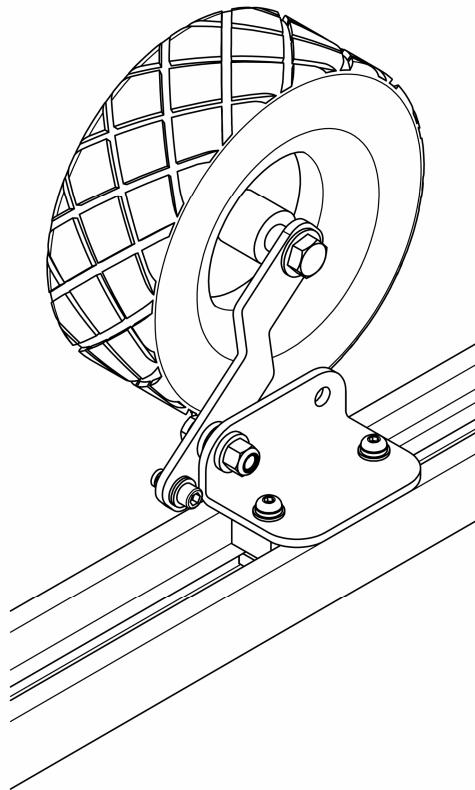
ITEM	IMAGE	DESCRIPTION	QTY
1		3" SOCCER UPRIGHT x 85" LONG	2
2		3" SOCCER CROSSBAR x 280" LONG	2
3		3" SOCCER BASE x 100" LONG	2
4		3" LOWER CORNER FITTING	2
5		3" BOTTOM CORNER FITTING	2
6		3" CORNER PLATE FITTING	2
ITEM	IMAGE	DESCRIPTION	QTY

ITEM	IMAGE	DESCRIPTION	QTY
7		EUROPEAN BACKSTAY LEFT	1
8		EUROPEAN BACKSTAY RIGHT	1
9		AUXILIARY SOCCER BACKSTAY	2
10		7" LONG NUT BAR	2
11		8-1/2" LONG SPACER BLOCK	2
12		8-1/2" LONG NUT BAR	2
13		3/8" FLAT SAE, SS	50
14		3/8" MEDIUM SPLIT LOCK WASHER, SS	50
15		3/8"-16 x 1 1/4" BUTTON HEAD, SS	6
16		3/8"-16 x 1 3/4" BUTTON HEAD, SS	6
ITEM	IMAGE	DESCRIPTION	QTY

ITEM	IMAGE	DESCRIPTION	QTY
17		3/8"-16 x 3/4" BUTTON HEAD, SS	34
18		3/8"-16 x 1 3/4" HEX HD, SS	2
19		3/8"-16 x 1 1/4" HEX HD, SS	2
ITEM	IMAGE	DESCRIPTION	QTY

- Unpack all parts and check against parts list to ensure that all have been included.
- Inspect all parts for damage. Report any damages to the trucking company.

OPTIONAL WHEEL KIT FOR SOCCER GOAL



FOUR WHEEL MOUNTS FOR ONE SOCCER GOAL (P/N: SGP-NWK)

IMPORTANT NOTICE:

- 1) BEFORE EACH USE CHECK EQUIPMENT FOR PROPER CONNECTING HARDWARE AND STRUCTURAL INTEGRITY. REPLACE DAMAGED OR MISSING HARDWARE IMMEDIATELY.
- 2) USE OF THIS EQUIPMENT OTHER THAN INTENDED, MAY BE HAZARDOUS.
- 3) ALTERATION OR MODIFICATION OF THIS EQUIPMENT MAY BE HAZARDOUS AND RESULT IN INJURY. FOR REPAIR OR REPLACEMENT, CONTACT YOUR DEALER OR JAYPRO SPORTS.

***** ASSEMBLY INSTRUCTIONS REQUIRES 3 PEOPLE *****

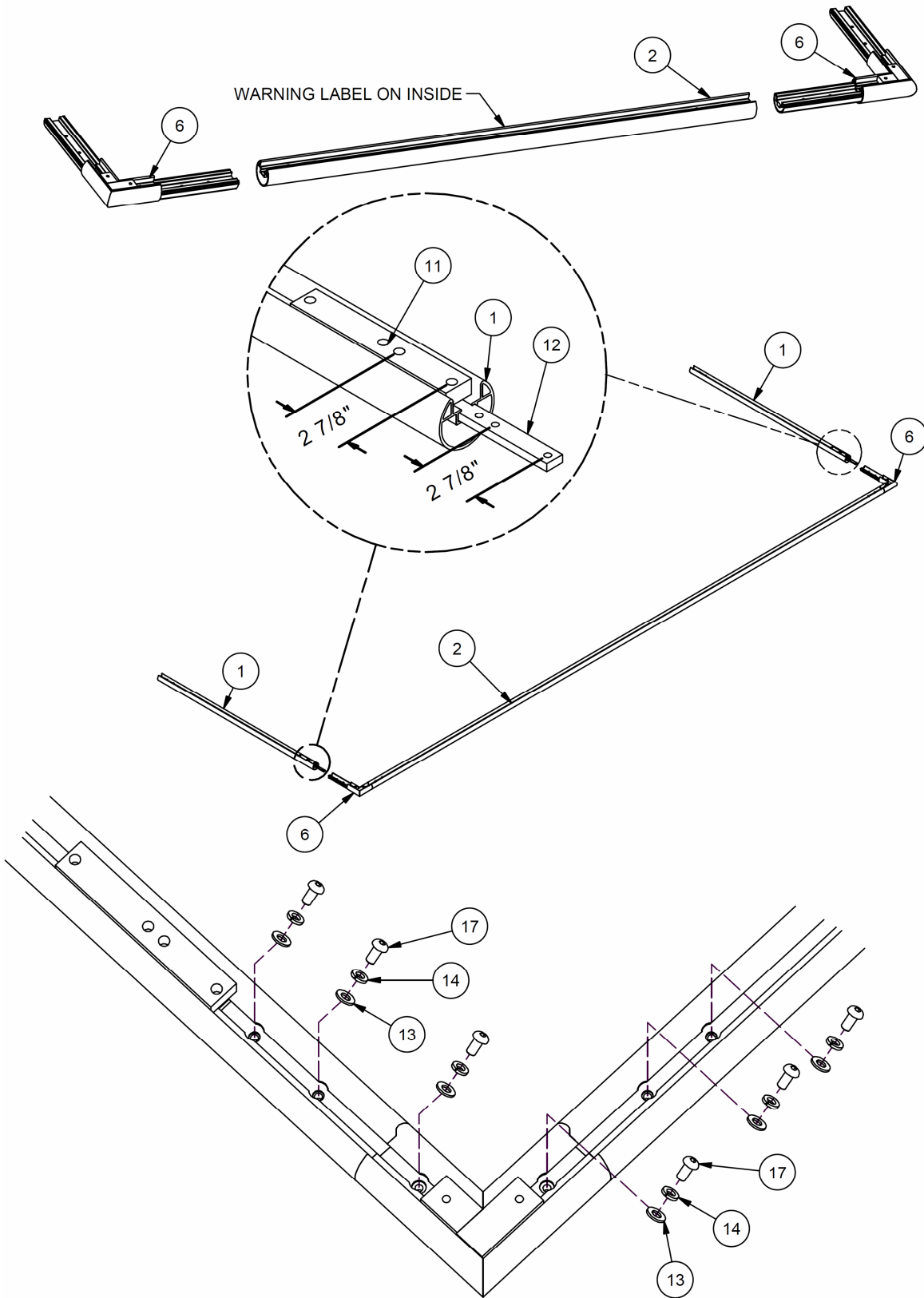
TOOLS REQUIRED:

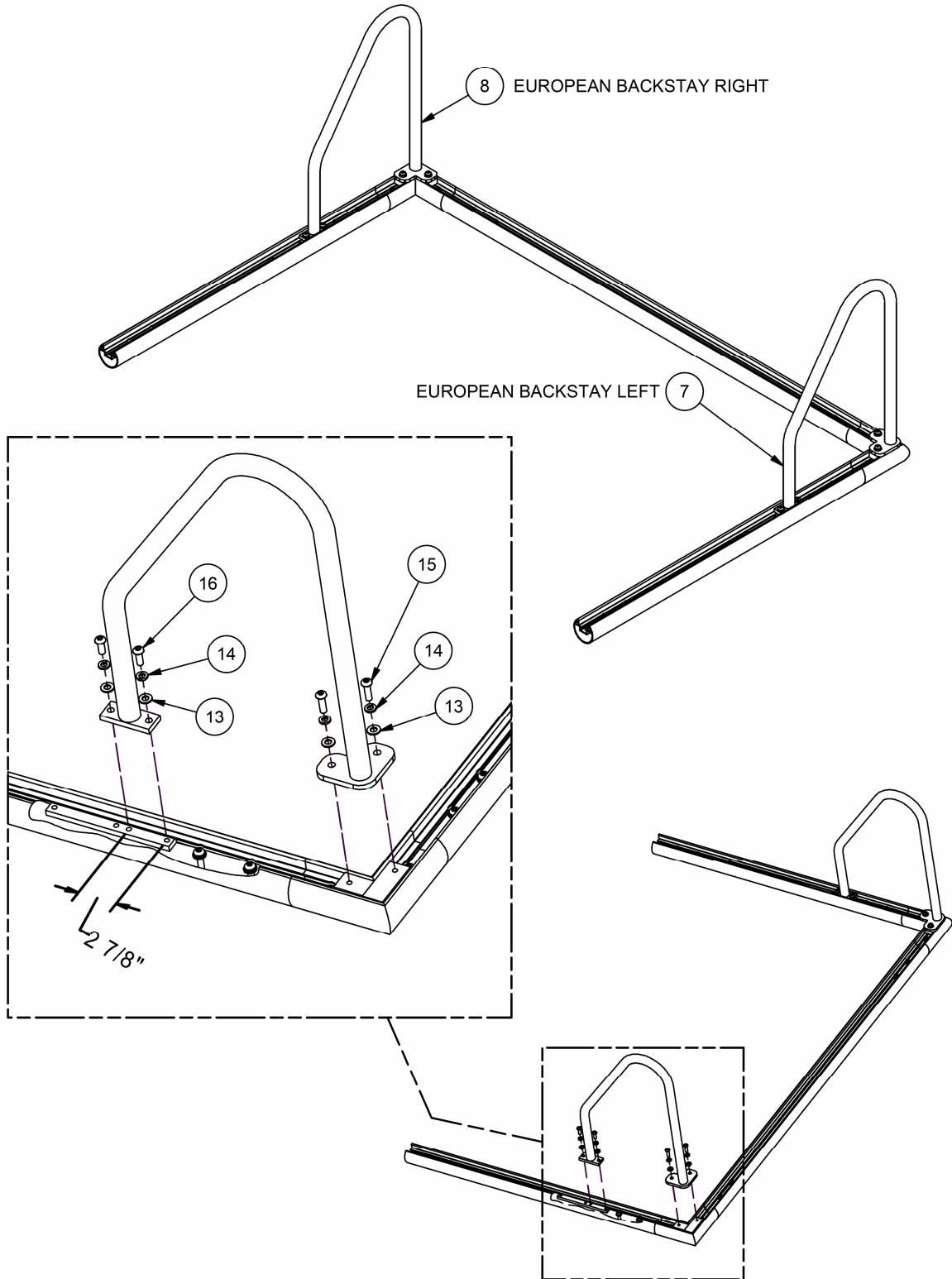
- (1) 9/16" Socket Wrench and Box Wrench
- (1) 7/32" Allen Wrench
- (1) Rubber Mallet
- (1) Step Ladder

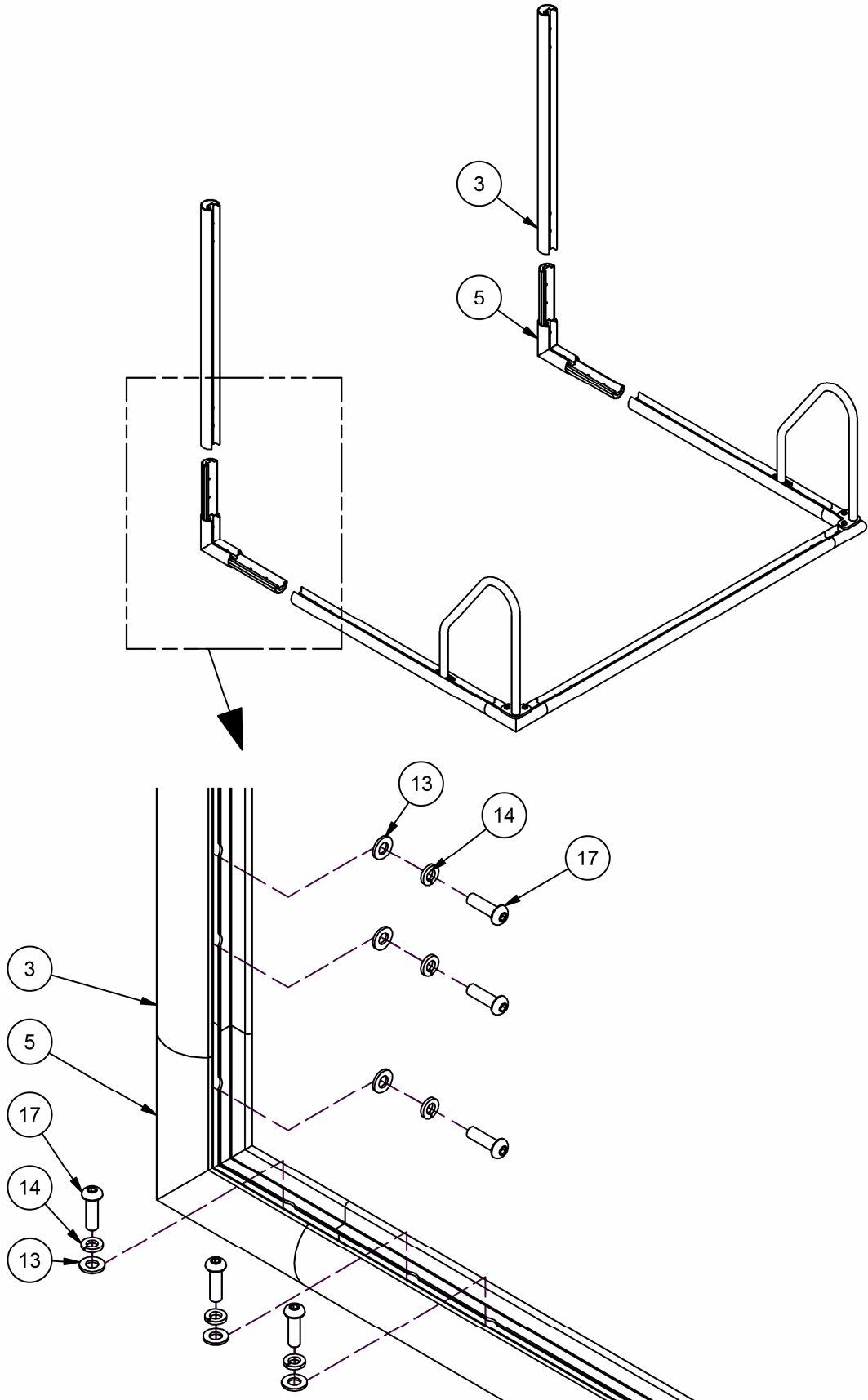
- Unpack all parts and check against parts list to ensure that all have been included.
- Inspect all parts for damage. Report any damages to the trucking company.

Front Goal Face Assembly:

1. Insert both corner plate fittings (6) into soccer crossbar (2).
2. Install hardware loosely, as shown.
3. Slide both 8-1/2" long nut & spacer block (11 & 12) into the soccer upright (1) channel and insert uprights (1) into both corner plate fittings (6).
4. Install hardware loosely.
5. Attach both European left & right backstays (7 & 8) on corner plate fittings as shown on uprights (1).
6. Install hardware loosely, as shown.
7. Insert bottom corner fittings (5) into both uprights (1). Slide base (3) onto bottom corner fittings (5).
8. Install hardware loosely, as shown.
9. Align parts and tighten hardware.

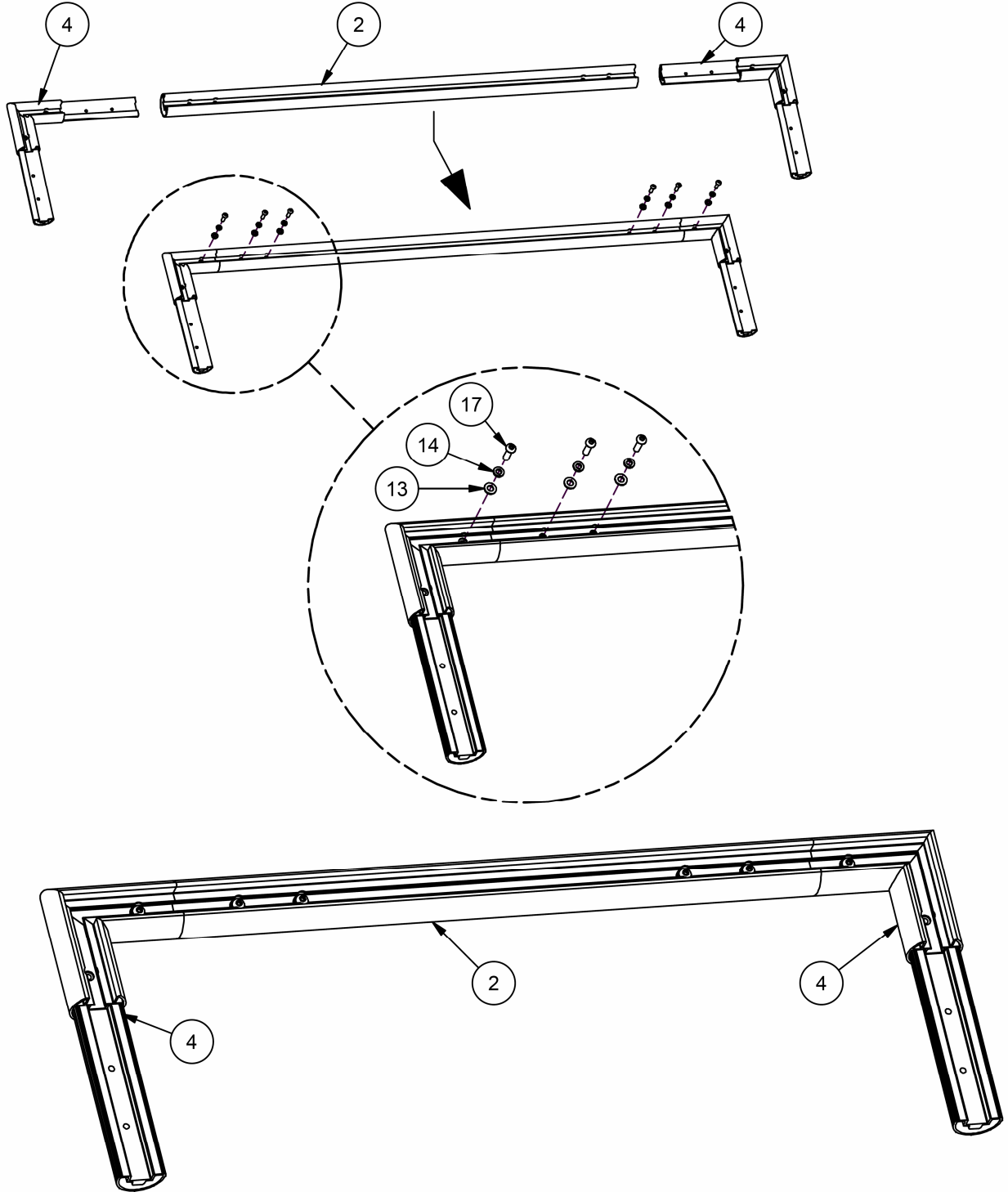






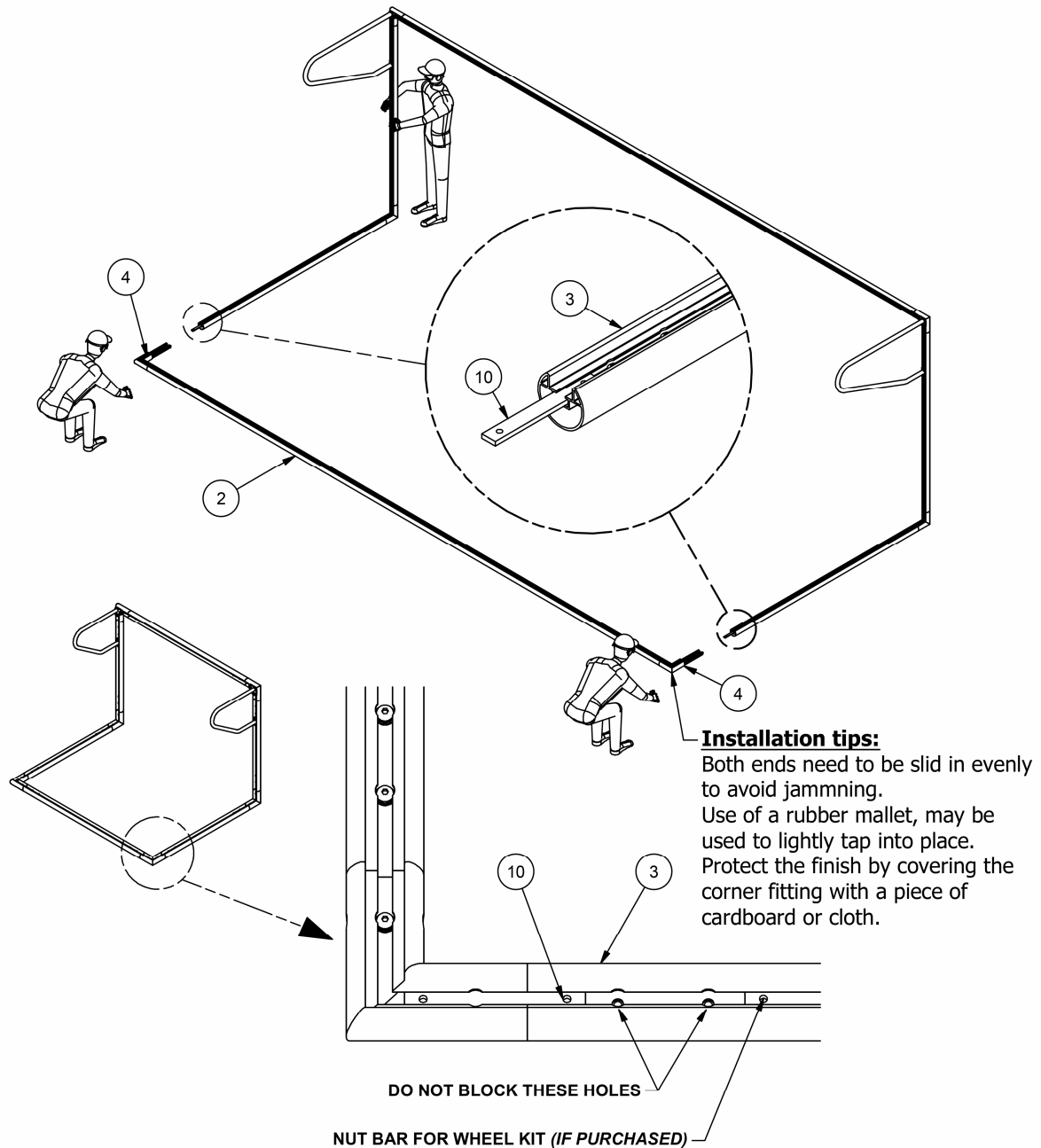
Bottom Goal Assembly:

1. Insert one lower corner fittings into each end of soccer crossbar (2).
2. Install hardware loosely, as shown.



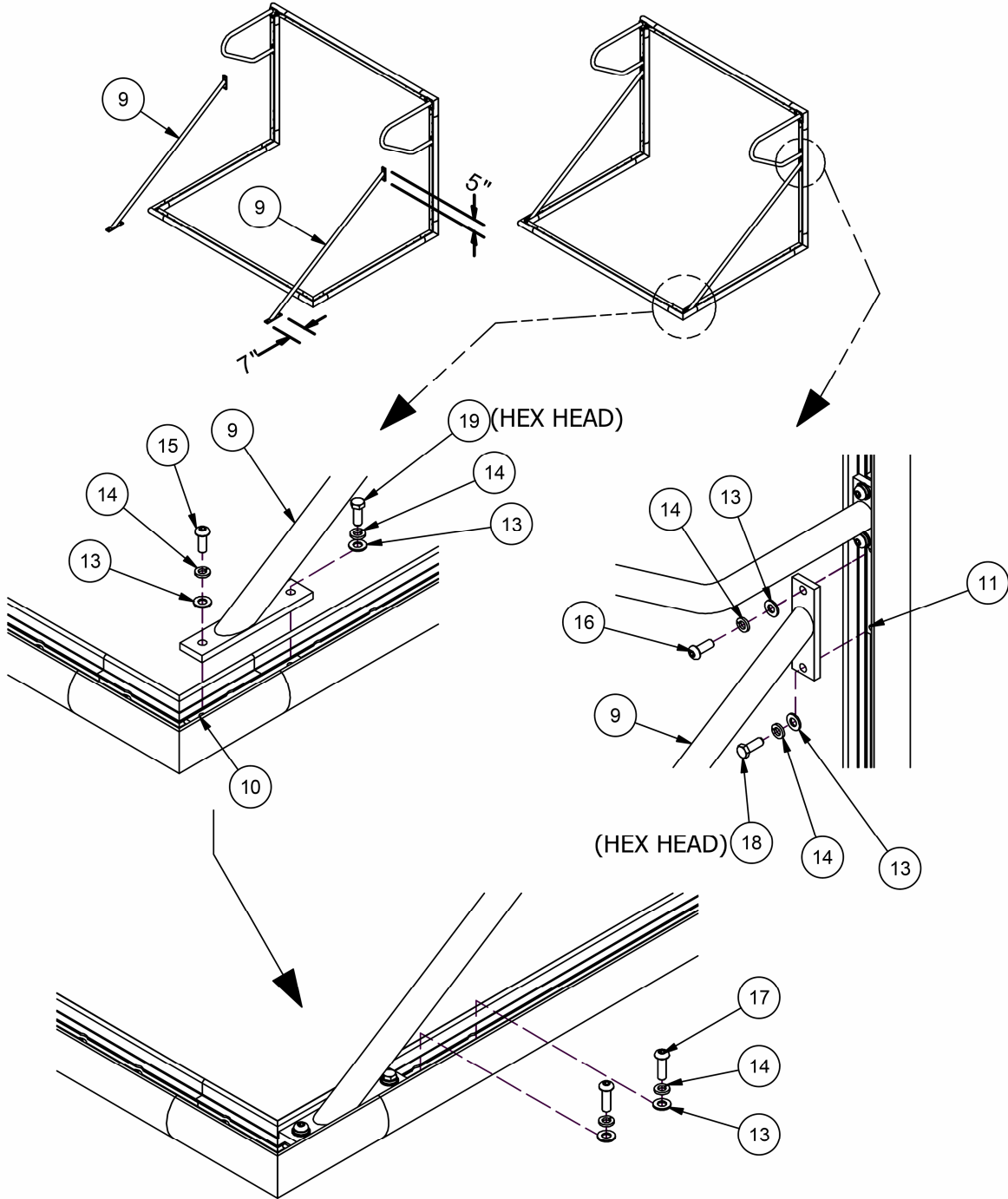
Bottom Goal Assembly:

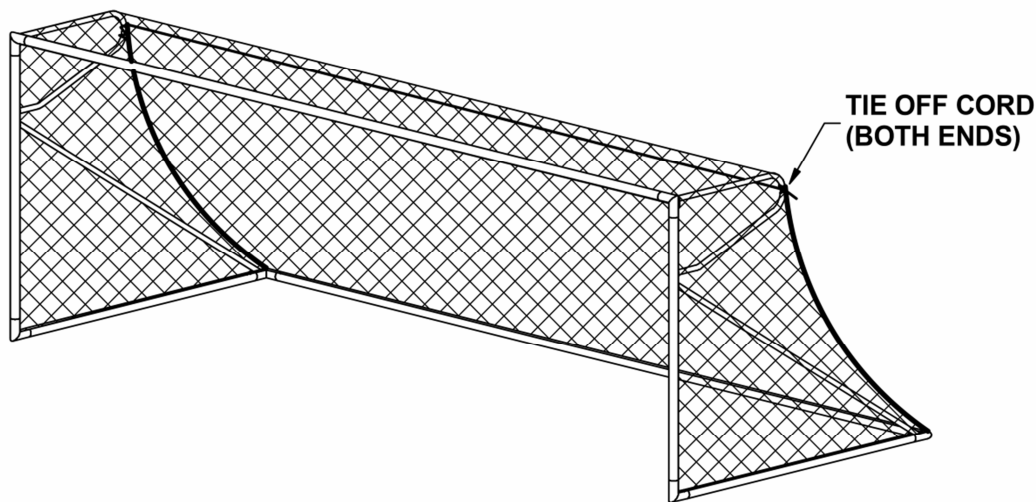
3. Stand front of soccer goal into the upright position.
 - a. **Note:** If wheel kit is to be installed, slide nut bars for wheel kit into each base member.
4. Slide one 7" long nut bar (10) into each base member.
5. Carefully insert the rear crossbar into the base members and install hardware as shown.



Bottom Goal Assembly:

6. Install auxiliary soccer backstay, line up nut bar. Note if the plates don't line up, flip the auxiliary soccer backstay. Install hardware loosely; once parts are aligned tighten all hardware.





Final Adjustments:

- Checks to make sure the soccer goal frame is properly aligned and square. Securely tightened all button head and hex head hardware.
- With goal fully assemble attach the net using the “*Easy Clip*” net attachment system. Use a step ladder to attach the net to the crossbar. Once complete, move the goal into the final playing position.
- Anchor soccer goal frame using sand bags or ground anchors.

IMPORTANT NOTICE

The United States consumer product safety commission has adopted and published “*Guidelines For Movable Soccer Goal Safety*”. These guidelines offer information on the installation, use, and storage of full-size portable soccer goals and through these guidelines; it is the commission’s intent to help prevent serious injuries or death resulting from accidental soccer goal tip over.

Securely anchoring portable soccer goals, at all times, is one important and effective way to improve soccer goal safety. The proper selection of appropriate anchoring devices is dependent upon a number of factors and is unique to individual circumstances. Key elements to consider are:

- 1) Goal weight, inherent stability and type of construction;
- 2) Local field conditions and soil moisture content;
- 3) Expected usage level and overall degree of field supervision;
- 4) The need to relocate or remove the goal on a regular or continuing basis.

As a charter member of the **Coalition To Promote Soccer Goal Safety**, Jaypro endorses the efforts of the commission and others in this cause. Our trained sales staff is available to discuss the variety of goal anchors that we offer and to help you in making the best choice for your individual application.