

LIST OF MATERIALS			
PIECE NO.	PART NO.	DESCRIPTION	QTY.
1	SGP-35X	CROSSBAR	2
2	SGP35981	UPRIGHT/SIDE FRAME-LEFT SIDE	2
3	SGP35982	UPRIGHT/SIDE FRAME-RIGHT SIDE	2
4	HB5010	CRG BOLT 3/8"-16 x 4 1/2", SS	8
5	HN5003	3/8"-16 NYLON LOCK NUT, SS	8
6	HW2151	3/8" FLAT WASHER, SS	8

CAUTION
 DO NOT HANG ON CROSSBAR.
 THIS IS DANGEROUS AND
 MAY CAUSE THE GOAL
 TO TIP OVER

FOR INSTALLATION
 OF NET CLIPS, SEE "NET CLIP
 INSTALLATION" DIAGRAM

IMPORTANT NOTES:

1. FOR SAFE OPERATION AND CONTINUED HIGH PERFORMANCE FROM THIS EQUIPMENT, INSPECTION AND MAINTENANCE MUST BE PERFORMED BEFORE EACH USE
2. USE OF THIS EQUIPMENT OTHER THAN INTENDED, MAY BE HAZARDOUS.
3. ALTERATION OR MODIFICATION OF EQUIPMENT MAY BE HAZARDOUS. FOR REPAIR OR REPLACEMENT, PLEASE CALL YOUR DEALER.

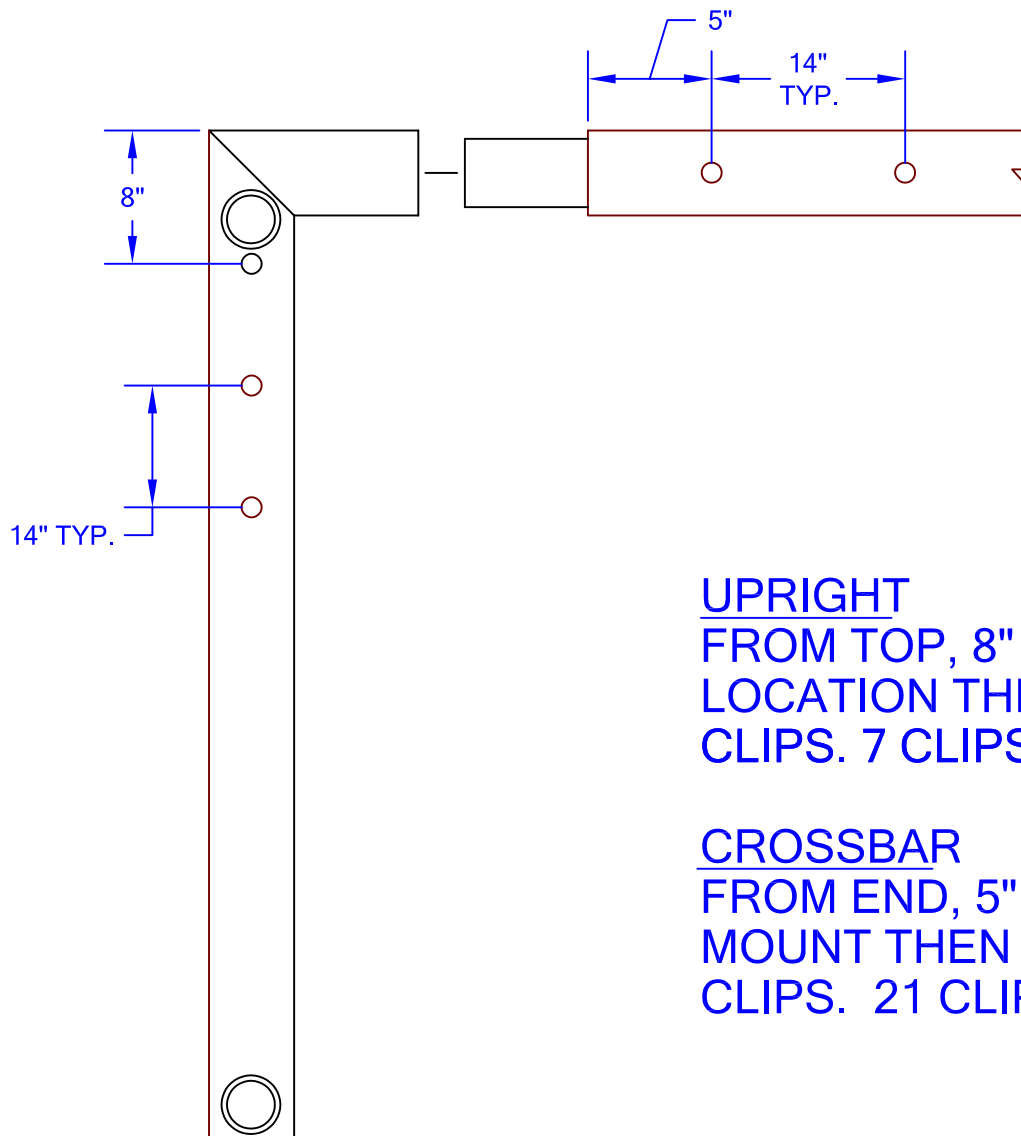
**JAYPRO
SPORTS**

976 HARTFORD TURNPIKE
 WATERFORD, CT 06385 USA
 PHONE (800) 243-0533
 FAX (800) 988-3363
 WWW.JAYPRO.COM

DRAWN BY: J.C. / A.T. DATE: 10-14-03

PRODUCT NAME:
SOCCER GOAL ASSEMBLY

MODEL NO:
SGP-3500



USE THIS NET CLIP
DIMENSIONAL LAY-OUT
DIAGRAM FOR MODEL
SGP-3500 ONLY

UPRIGHT
FROM TOP, 8" TO FIRST CLIP
LOCATION THEN 14" BETWEEN
CLIPS. 7 CLIPS TOTAL PER UPRIGHT.

CROSSBAR
FROM END, 5" TO FIRST CLIP
MOUNT THEN 14" BETWEEN
CLIPS. 21 CLIPS PER CROSSBAR.

Jaypro Sports

976 Hartford Turnpike
Waterford, CT 06385 USA
(800)243-0533
(800)988-3363 Fax
www.jaypro.com

MODEL NO.:
SGP35NC1

PRODUCT NAME:
NET CLIP
INSTALLATION DIAGRAM

DRAWN BY: JAC

EFFECTIVE DATE:
5-29-03

JAYPRO SPORTS
SGP-3500
4" ROUND ALUMINUM SOCCER GOAL

CAUTION

DO NOT HANG ON THE CROSSBAR. THIS IS DANGEROUS AND THE ADDITIONAL WEIGHT MAY DAMAGE YOUR EQUIPMENT.

IMPORTANT NOTICE

THE UNITED STATES CONSUMER PRODUCTS SAFETY COMMISSION HAS RECENTLY ADOPTED AND PUBLISHED "GUIDELINES FOR MOVABLE SOCCER GOAL SAFETY." THESE GUIDELINES OFFER INFORMATION ON THE INSTALLATION, USE AND STORAGE OF FULL-SIZE PORTABLE SOCCER GOALS AND, THROUGH THESE GUIDELINES, IT IS THE COMMISSION'S INTENT TO HELP PREVENT SERIOUS INJURIES OR DEATH RESULTING FROM ACCIDENTAL SOCCER GOAL TIP OVER.

SECURELY ANCHORING PORTABLE SOCCER GOALS, AT ALL TIMES, IS ONE IMPORTANT AND EFFECTIVE WAY TO IMPROVE SOCCER GOAL SAFETY. THE PROPER SELECTION OF APPROPRIATE ANCHORING DEVICES IS DEPENDENT ON THE NUMBER OF FACTORS AND IS UNIQUE TO INDIVIDUAL CIRCUMSTANCES. KEY ELEMENTS TO CONSIDER ARE:

- 1) GOAL WEIGHT, INHERENT STABILITY AND TYPE OF CONSTRUCTION
- 2) LOCAL FIELD CONDITIONS AND SOIL MOISTURE CONTENT
- 3) EXPECTED USAGE LEVEL AND OVERALL DEGREE OF FIELD SUPERVISION
- 4) THE NEED TO RELOCATE OR REMOVE THE GOAL ON A REGULAR AND CONTINUING BASIS

AS A CHARTER MEMBER OF THE COALITION TO PROMOTE SOCCER GOAL SAFETY, JAYPRO ENDORSES THE EFFORTS OF THE COMMISSION AND OTHERS IN THIS CAUSE. OUR TRAINED SALES STAFF IS AVAILABLE TO DISCUSS THE VARIETY OF GOAL ANCHORS THAT WE OFFER AND TO HELP YOU IN MAKING THE BEST CHOICE FOR YOUR INDIVIDUAL APPLICATION.