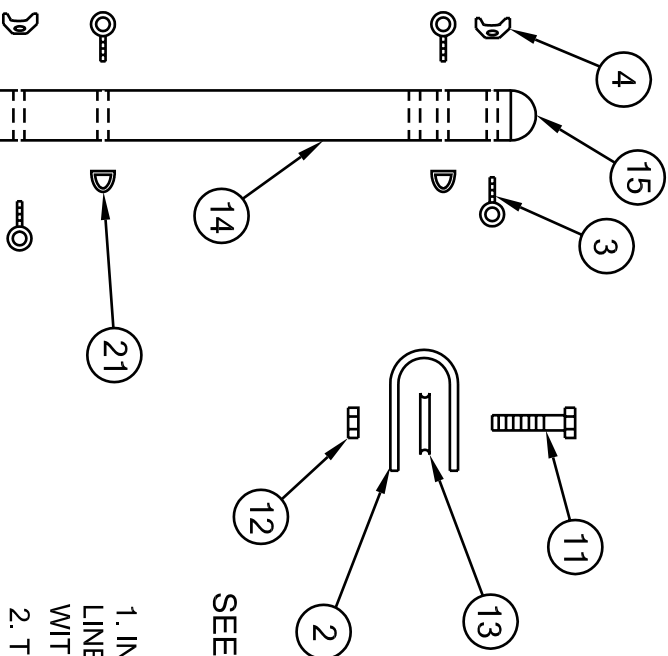


MOVE COLLAR ASSEMBLY
TO AN OUTSIDE UPRIGHT



FOR BASE
ASSEMBLY
SEE BASE
DRAWING

SEE SAFETY INSTRUCTIONS BELOW

IMPORTANT

SAFETY BOLT INSTRUCTIONS

1. INSERT UPRIGHT INTO BASE HUB AND LINE UP SAFETY BOLT HOLE IN UPRIGHT WITH CENTER HOLE OF HUB.
2. THREAD JAM NUT UP THE ENTIRE LENGTH OF SPECIAL SAFETY BOLT.
3. SCREW SAFETY BOLT INTO CENTER SAFETY BOLT HOLE UNTIL BOLT HITS THE INSIDE WALL OF THE UPRIGHT.
4. AT THIS POINT FIRMLY TIGHTEN SAFETY BOLT AGAINST THE INNER WALL OF THE UPRIGHT. (SEE NO. 3)
5. NOW THREAD THE JAM NUT UP AGAINST THE WALL OF THE HUB AND TIGHTEN IT AGAINST THE WALL SECURELY (AS PER DRAWING).
6. INSERT SQUARE HEAD SET SCREWS INTO THE OTHER 2 HOLES IN THE HUB AND TIGHTEN THEM DOWN SECURELY.

MODEL NO.:
SSC-321R

PRODUCT NAME:
CENTER STANDARD

DRAWN BY: JAC

EFFECTIVE DATE:
6-2-03

PLEASE NOTE:
1) FOR SAFE OPERATION AND CONTINUED HIGH PERFORMANCE FROM THIS EQUIPMENT, INSPECTION AND MAINTENANCE MUST BE PERFORMED BEFORE EACH USE

2) USE OF THIS EQUIPMENT OTHER THAN INTENDED, MAY BE HAZARDOUS.

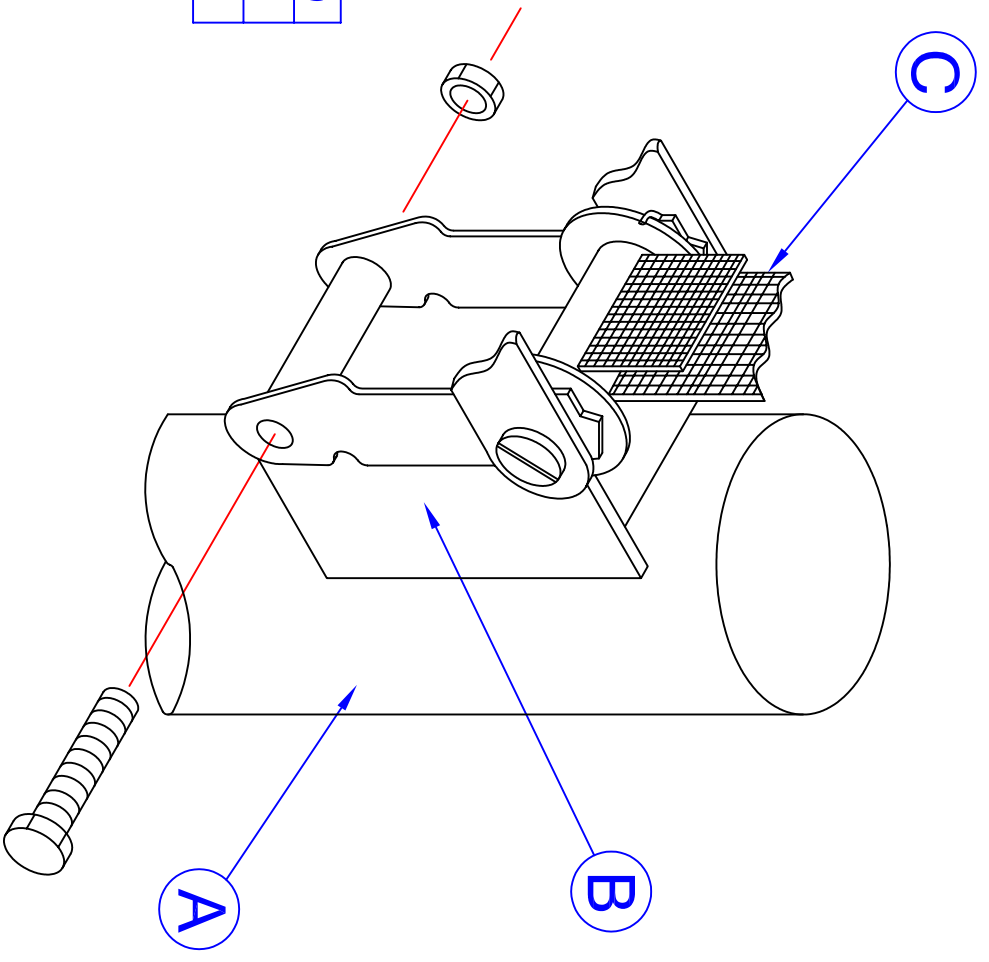
3) ALTERATION OR MODIFICATION OF EQUIPMENT MAY BE HAZARDOUS. FOR REPAIR OR REPLACEMENT, PLEASE CALL YOUR DEALER

-3363 Fax

LARGE BUCKLE

NOTE:
HEX HEAD SCREW
LOCKS UNDER PIN
ON MOUNTING
BRACKET.

A	VOLLEYBALL STANDARD
B	BUCKLE
C	LEADER STRAP



BUCKLE ASSEMBLY INSTRUCTIONS

REMOVE NUT AND BOLT ASSEMBLY FROM BUCKLE (B). SLIDE BUCKLE UNDER TAB ON MOUNTING BRACKET (A). POSITION BUCKLE, INSERT BOLT AND REPLACE NUT. TIGHTEN SECURELY.

MODEL NO.:

Jaypro Sports

976 Hartford Turnpike
Waterford, CT 06385 USA
(800)243-0533
(800)988-3363 Fax
www.jaypro.com

PRODUCT NAME:

BUCKLE ASSEMBLY

DRAWN BY: JAC

EFFECTIVE DATE:
3-31-03

JAYPRO SPORTS

COMBINATION CENTER STANDARD, SSC-321R

LIST OF MATERIALS

<u>PIECE NO.</u>	<u>PART NO.</u>	<u>DESCRIPTION</u>	<u>QTY.</u>
1	HM5044	RATCHET	1
2	HM225	PULLEY HANGER	1
3	HB201	EYEBOLT 5/16"-18 x 4"	4
4	HN263	WING NUT 5/16"-18	2
5	HS1243	HEX HEAD CAP SCREW 3/8"-16 x 3 1/4"	1
6	HN265	LOCKNUT 3/8"-16	1
7	HS323	SQUARE HEAD SET SCREW 3/8"-16 x 1/2"	2
8	HS4081	SAFETY BOLT 3/8"-16 x 3"	1
9	HN808	JAM NUT 3/8"-16 x 3"	1
10	RM1421	BASE	1
11	HS278	HEX HEAD SCREW 1/4"-20 x 1 1/4"	1
12	HN256	LOCKNUT 1/4"-20	1
13	AF737	PULLEY	1
14	SS3201	UPRIGHT	1
15	RP1222	TOP CAP	1
16	IS24	2" BUCKLE STRAP	1
17	HS2726	HEX HEAD SCREW 1/2"-13 x 2 1/2"	2
18	HN269	JAM NUT 1/2"-13	2
19	RW494	WHEEL	2
20	HN2951	LOCK NUT 1/2"	2
21	HN262	EYE BOLT	2

ASSEMBLY INSTRUCTIONS

TOOLS REQUIRED: 9/16" Box Wrench (2) Or,
Adjustable Wrench (2)

IMPORTANT NOTE:

This unit is designed for practice use only. Any attempt to gain competition net height through excessive cable tension may damage the equipment. Read all instructions carefully before using this unit.

Set your floor as per the separate installation instructions. Allow grout to cure a minimum of 12 hours before using the floor plates. The center-to-center spacing for the two handknobs on the ssc-321r center standard base is 26".

- 1) The complete pulley assembly (see view b) and cable buckle assembly (4) are to be assembled to the remaining outside standard so that the side-by-side nets are tensioned from the center upright outward to each outside upright.
- 2) See the combination game standards assembly instructions for complete installation details. Note that the center upright does not require a guy cable assembly. For best results when using the center upright, always tension the adjoining nets simultaneously to avoid excessive loading of the center uprights. Never apply complete tension to one court only.