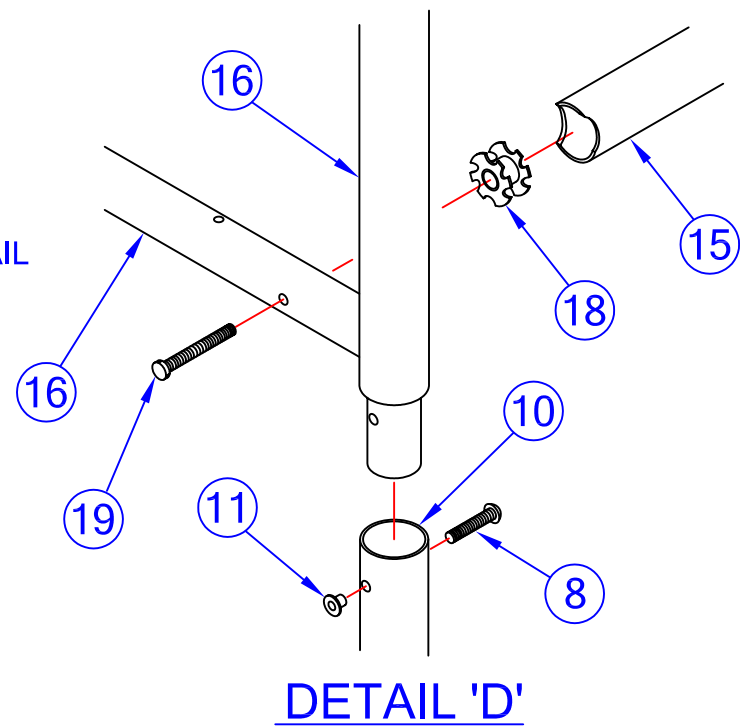
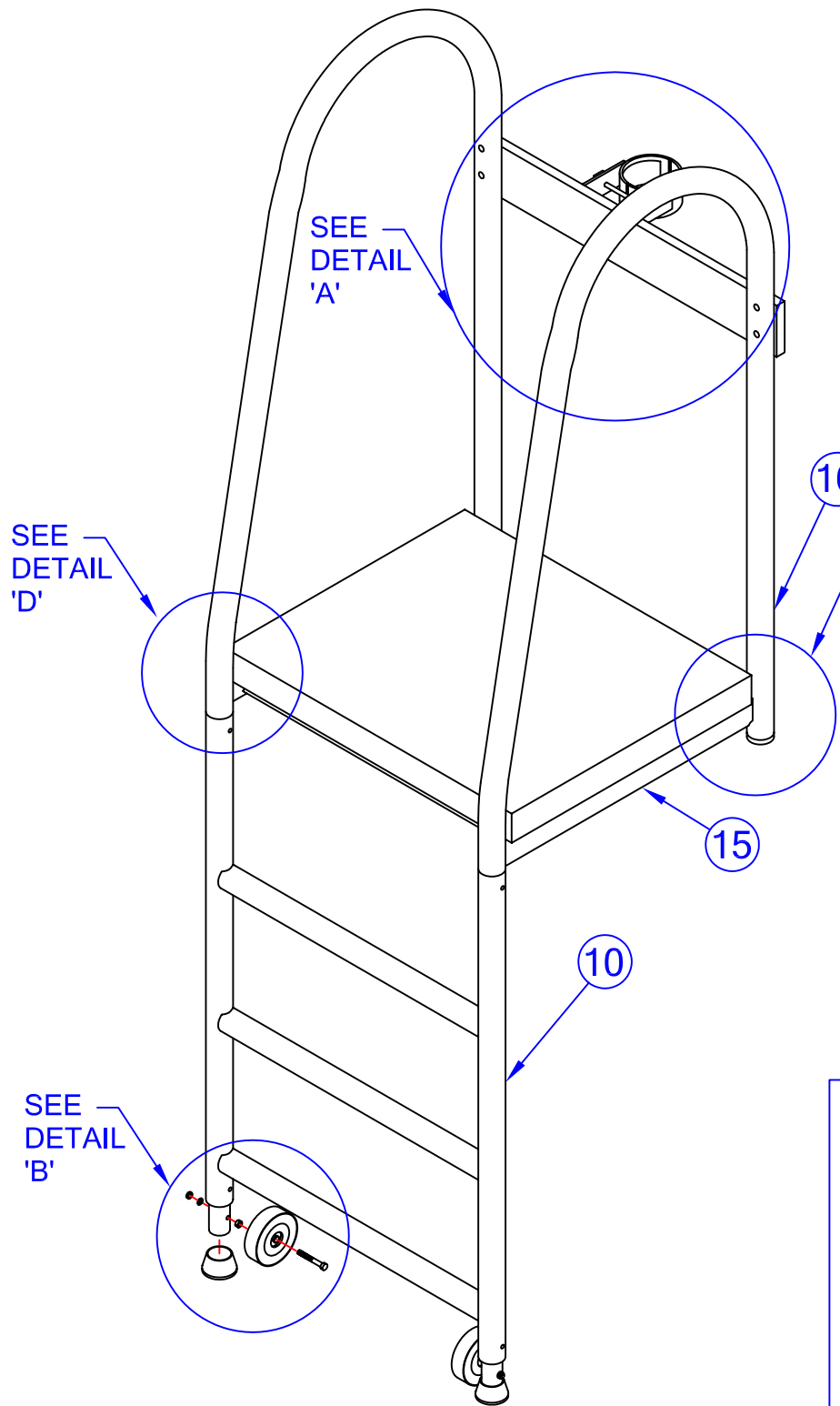


PLEASE NOTE:

- 1) FOR SAFE OPERATION AND CONTINUED HIGH PERFORMANCE FROM THIS EQUIPMENT, INSPECTION AND MAINTENANCE MUST BE PERFORMED BEFORE EACH USE
- 2) USE OF THIS EQUIPMENT OTHER THAN INTENDED, MAY BE HAZARDOUS.
- 3) ALTERATION OR MODIFICATION OF EQUIPMENT MAY BE HAZARDOUS. FOR REPAIR OR REPLACEMENT, PLEASE CALL YOUR DEALER



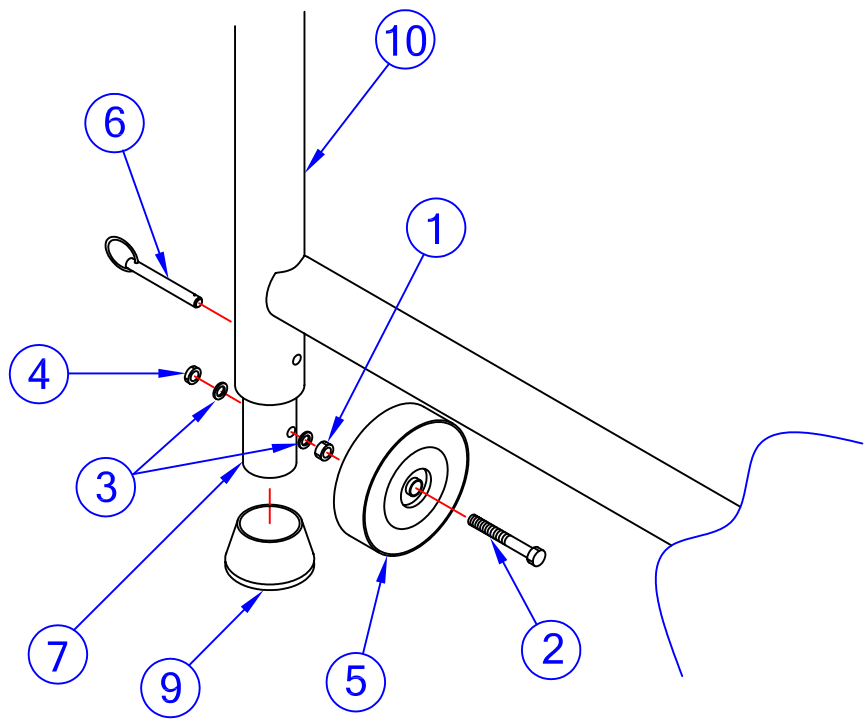
# Jaypro Sports

976 Hartford Turnpike  
Waterford, CT 06385 USA  
(800)243-0533  
(800)988-3363 Fax  
www.jaypro.com

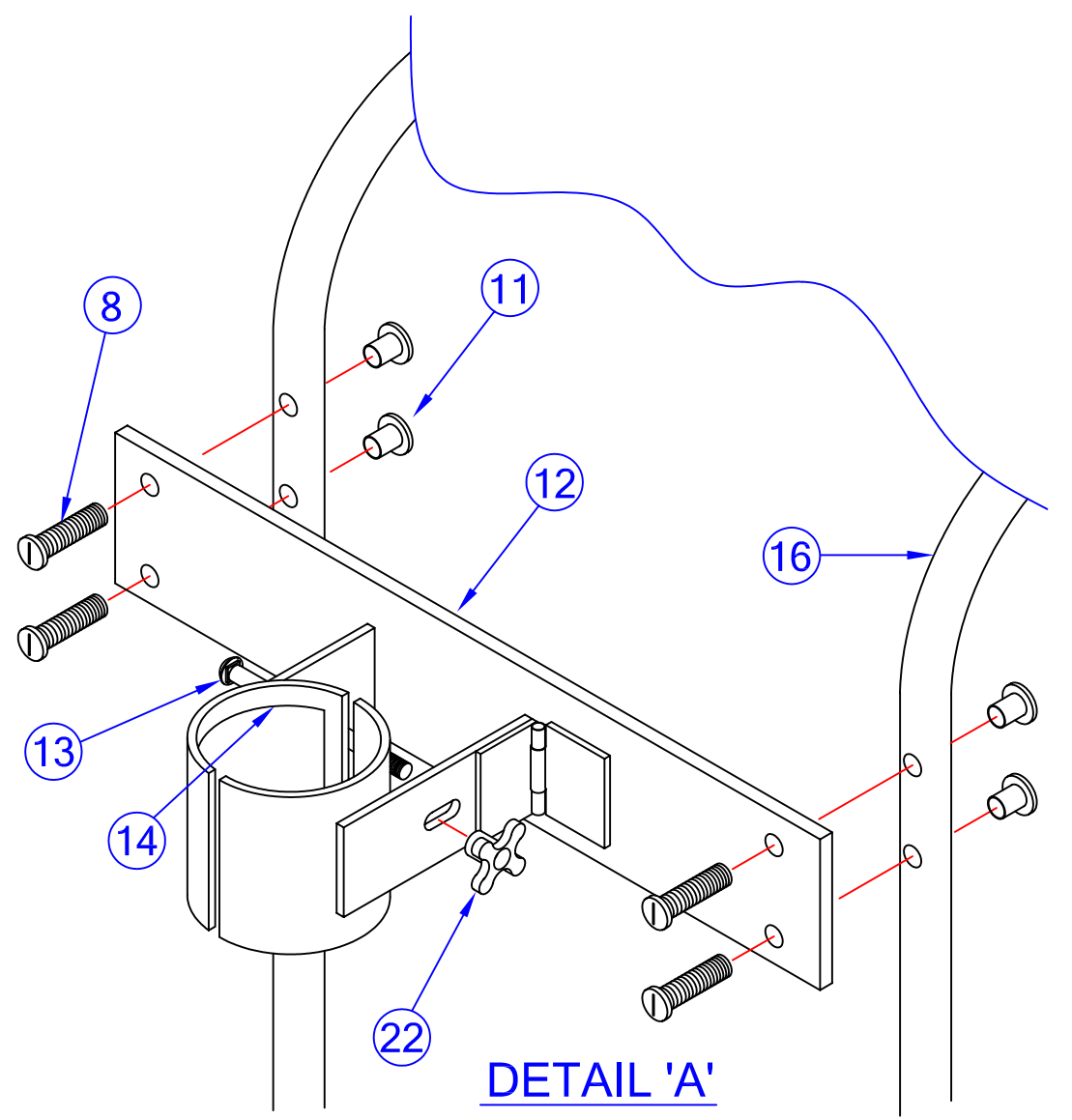
MODEL NO.:  
VRS-3000

PRODUCT NAME:  
TWO-LEGGED REFEREE STAND

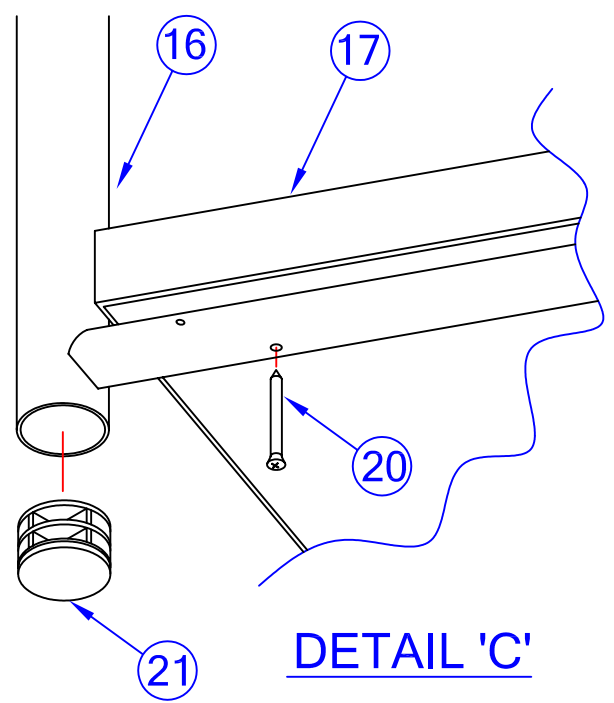
DRAWN BY: JA EFFECTIVE DATE:  
11-8-04



DETAIL 'B'



DETAIL 'A'



DETAIL 'C'

<h1>Jaypro Sports</h1> <p>976 Hartford Turnpike Waterford, CT 06385 USA (800)243-0533 (800)988-3363 Fax www.jaypro.com</p>	<p>MODEL NO.: <b>VRS-3000</b></p>	
	<p>PRODUCT NAME: TWO-LEGGED REFEREE STAND DETAILED ASSEMBLIES</p>	
	<p>DRAWN BY: JA</p>	<p>EFFECTIVE DATE: 3-28-05</p>

**JAYPRO SPORTS**  
**VOLLEYBALL REFEREE STAND, VRS-3000**  
**LIST OF MATERIALS**

<u>PIECE NO.</u>	<u>PART NO.</u>	<u>DESCRIPTION</u>	<u>QTY.</u>
1	HN704	HEX NUT ½"	2
2	HS4087	HEX HEAD SCREW ½" x 4"	2
3	HW2044	½" FLAT WASHER	4
4	HN268	NYL LOCKNUT ½"	2
5	RW494	½" BALL BEARING WHEEL	2
6	HM5055	1/4" x 2" WIRE LOCK PIN	2
7	VRS305	TELESCOPING FOOT PIPE	2
8	HS5149	5/16"-18 x 1 ½" SLT PAN HD SCRW	6
9	RR5008	CRUTCH TIP	2
10	VRS302	LADDER FRAME	1
11	HN5041	5/16"-18 FLANGE NUT	6
12	VRS301	CLAMP BASE	1
13	HB5010	3/8"-16 x 4 ½" CARRIAGE BOLT	1
14	FB0015	RUBBER CLAMP PAD	2
15	VRS306	CROSS RAIL	2
16	VRS303	SIDE FRAME	2
17	VRS304	PADDED PLATFORM	1
18	HM6224	5/16"-18 THREADED INSERT	4
19	HS283	HX HD SCREW 5/16"-18 x 3"	4
20	HS5124	#10 x 2 ½" FLT HD SCREW	4
21	EP0009	1 ¼" FLT HD PLUG	2
22	RP5050	3/8"-16 NYLON KNOB	1