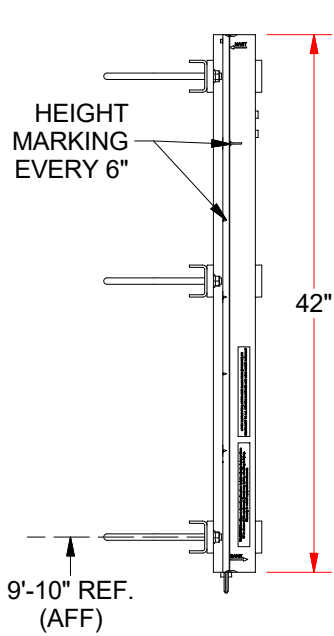
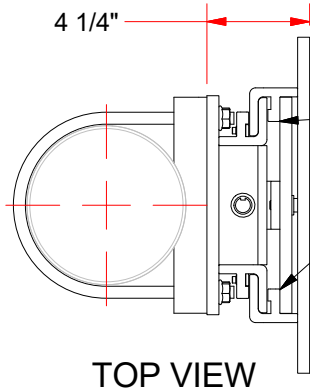




AHA-XX - MANUAL ALUMINUM ALLOY HEIGHT ADJUSTER

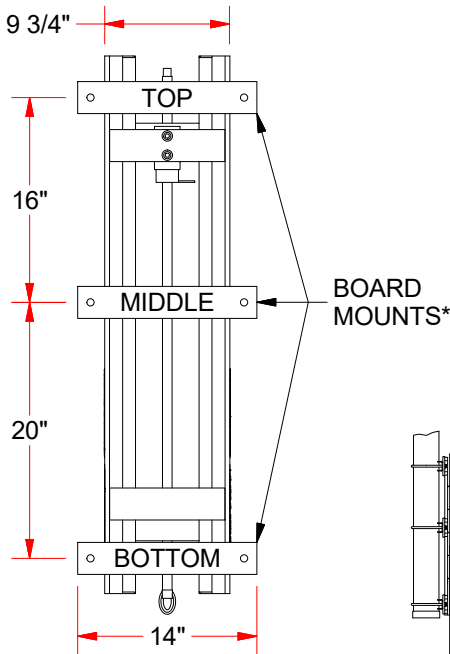
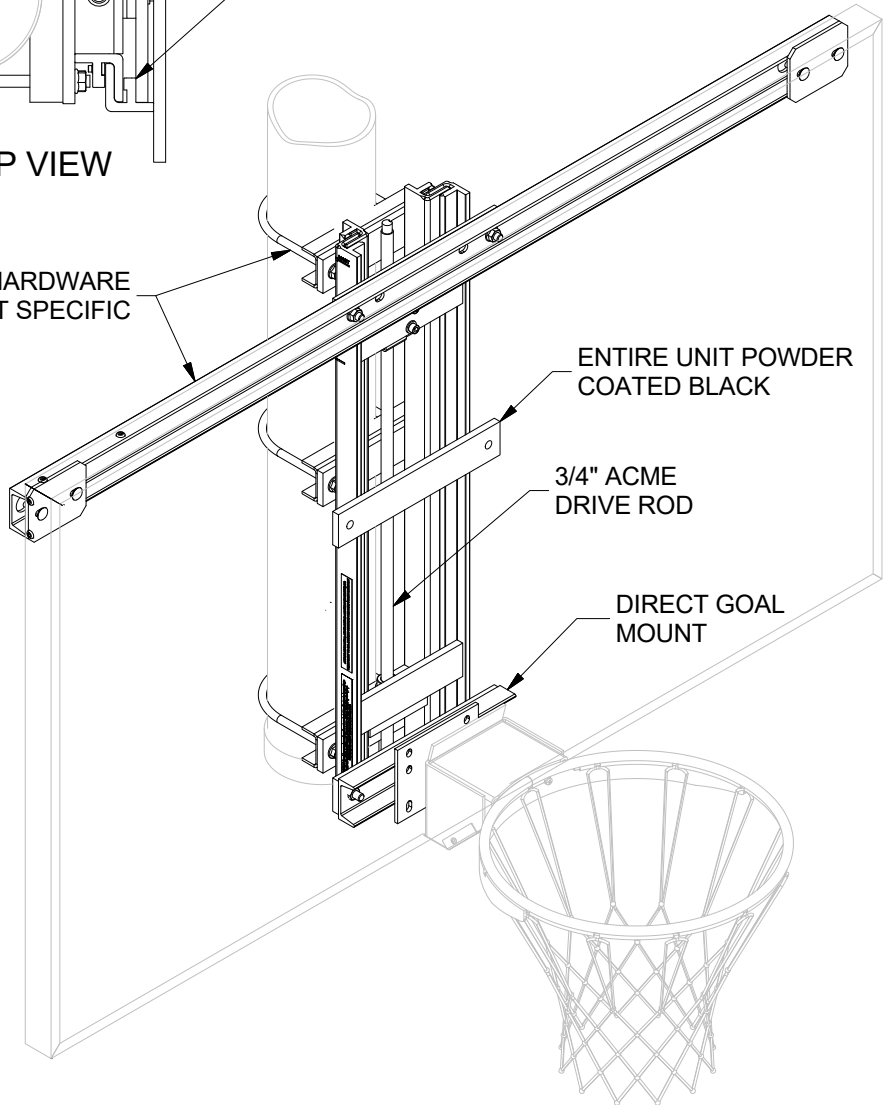


SIDE VIEW

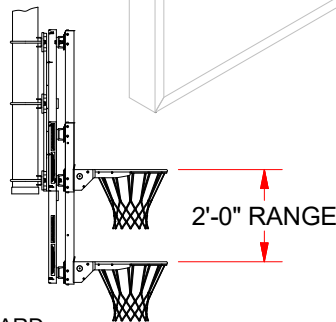


TOP VIEW

ATTACHMENT HARDWARE BOARD & MAST SPECIFIC



FRONT VIEW



* TOP & BOTTOM FOR RECTANGULAR BOARD
MIDDLE & BOTTOM FOR FAN BOARD

NOTE: CONFIGURATION SHOWN IS FOR MOUNTING TO 6" OR 6-5/8" OD SINGLE DROP BACKSTOP, HEIGHT ADJUSTER CAN BE MOUNTED TO ANY STYLE BACKSTOP OR DIRECTLY TO THE WALL.

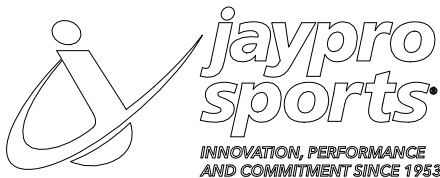
PROJECT NAME _____

PROJECT NUMBER _____

ARCHITECT _____

CONTRACTOR _____

NOTES _____



AHA-XX

MANUAL ALUMINUM ALLOY
HEIGHT ADJUSTER (10' TO 8')

© COPYRIGHT 2015 JAYPRO SPORTS, LLC. ALL RIGHTS RESERVED
THIS PRINT IS THE PROPERTY OF JAYPRO SPORTS, LLC. AND MAY NOT BE REPRODUCED WITHOUT WRITTEN PERMISSION

www.jaypro.com
(800) 243-0533
976 Hartford Turnpike
Waterford, CT 06385 USA



AHA-XX - MANUAL ALUMINUM ALLOY HEIGHT ADJUSTER

GENERAL

Height adjuster shall be manufactured of extruded high alloy aluminum and shall be screw driven in such a manner as to raise or lower the basket height of any bank from 8 feet to 10 feet. Screw drive shall be a 3/4" Acme thread rod secured in two bronze bushings. The screw drive shall have a loop welded to the bottom to allow attachment of the awning style crank. Operation of the unit is from the floor with the supplied crank. One crank shall be supplied per job. Slide/bearing surface shall be dual UHMW polyethylene jib strips ensuring smooth effortless operation and vibration free play for the entire range of operation (8' to 10'). Height markings shall be included to allow operator to establish an accurate height. Main body of height adjuster shall not exceed 14" in width. The Height adjuster shall be black powder coated in finish. Height Adjuster shall not exceed 49 pounds in weight.

Height Adjuster shall be adaptable to any drop and/or any bank currently being sold. May require some slight modification in field for certain applications. Height adjuster is designed to mount directly to a 6-5/8" OD mast and can be adapted to other mast(s) with custom mounting hardware (purchased separately). Height adjuster is designed to allow for direct goal mounting and will preserve the backboard warranty when used with any Jaypro Sports backboard. Attachment tabs on the face of the height adjuster allow for attaching both rectangular and fan shaped backboards.

WARRANTY

The height adjuster shall be warranted free from manufacturing defects for a period of one (1) year when used in conjunction with a Jaypro Sports backstop.

OPTIONAL EQUIPMENT

- Cordless Manual Height Adjuster Operator (CD-80H)