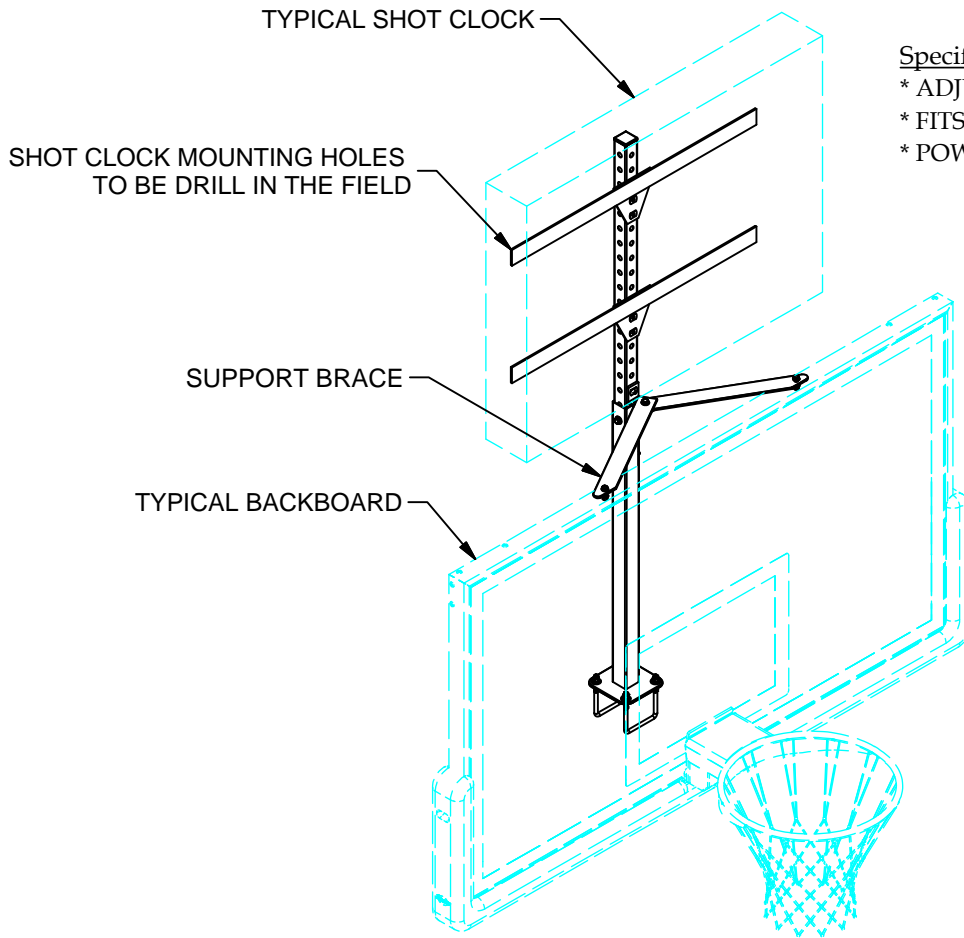


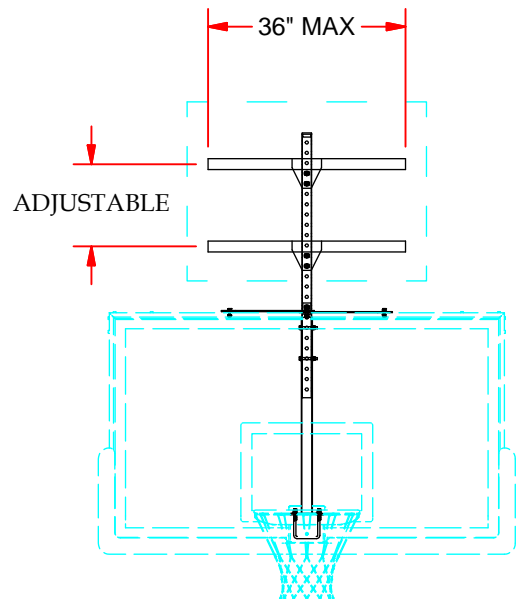
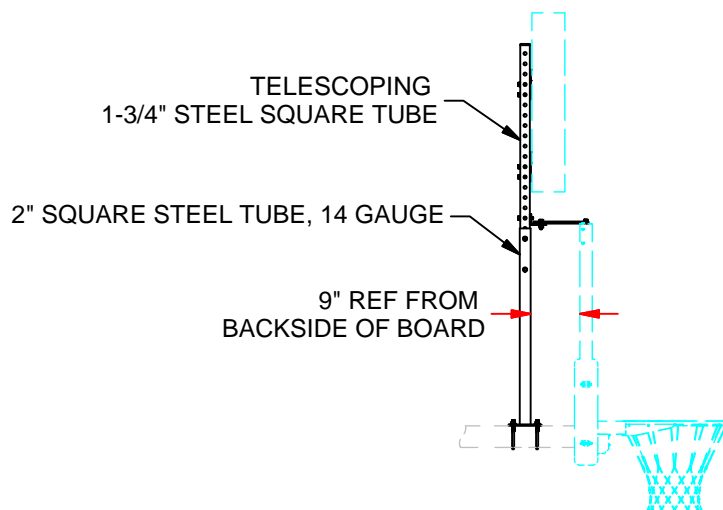
PBEL-SCB

SHOT CLOCK MOUNTING BRACKET FOR PORTABLE BACKSTOP



Specifications:

- * ADJUSTABLE HEIGHT
- * FITS MOST SHOT CLOCKS UP TO 50 lbs.
- * POWDER COATED BLACK



REV.	DESCRIPTION	DATE	BY

PBEL-SCB
SHOT CLOCK MOUNTING
BRACKET FOR
PORTABLE BACKSTOP

THIS PRINT IS THE PROPERTY OF JAYPRO SPORTS, LLC.
AND MAY NOT BE REPRODUCED WITHOUT WRITTEN PERMISSION

www.jaypro.com



Jaypro
Sports Equipment
Since 1953

FAX: 860.444.1779 (SALES)
860.440.0628 (ENG.)

PHONE: 800.243.0533 (TOLL FREE)
860.447.3001 (LOCAL)

JAYPRO SPORTS, LLC, 976 HARTFORD TURNPIKE, WATERFORD, CT 06385 USA

DRAWING NAME / PART NUMBER: PBEL-SCB	
DRAWN BY: Moune T.	ISSUE DATE: 5/27/2010
CHK'D BY: WVB	CHK'D DATE: 5/27/2010
SHEET: 1 OF 1	REV. -