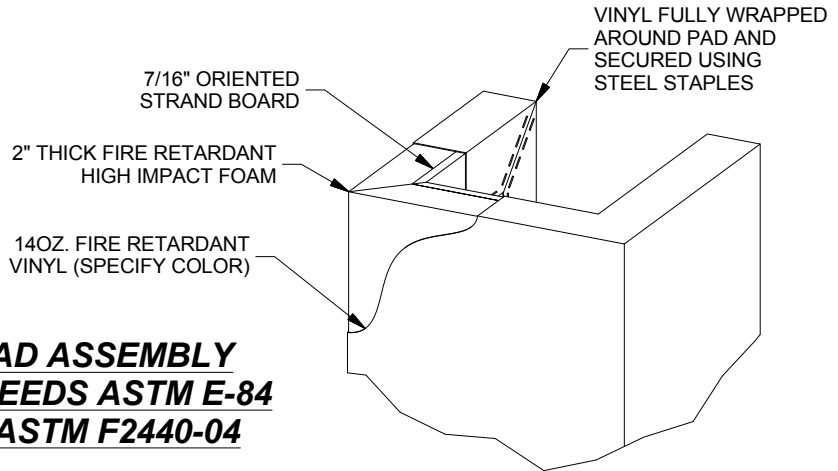
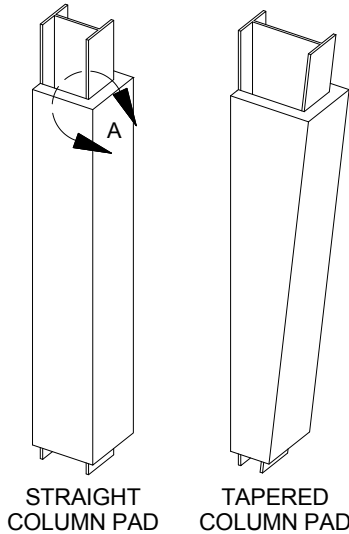




WallGuard Fire / Impact Column Wall Padding



**PAD ASSEMBLY
EXCEEDS ASTM E-84
& ASTM F2440-04**

DETAIL A

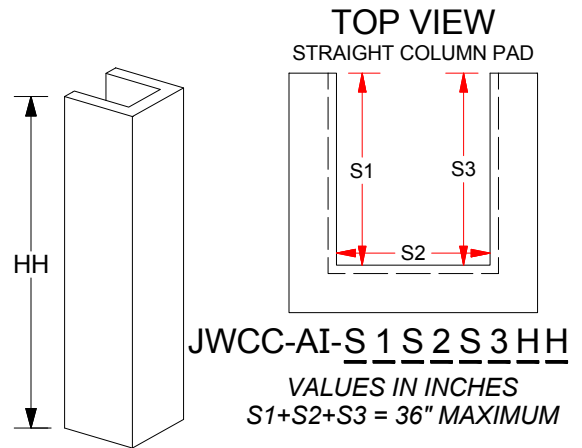
SPECIFICATIONS - CLASS A / HIGH IMPACT COLUMN PADS

Jaypro Sports Fire Retardant High Impact Straight and Tapered Column Pads are for indoor use only. Padding assembly meets or exceeds the requirements of NFPA 101 Life Safety Code for Class A rating (Flame Spread 0-25, Smoke Development 0-450) and California State (CSFM) test requirements. All testing completed in accordance with ASTM-E84 (also published as NFPA-255, ANSI 2.5, UBC-8-1, and UL 723). **Pad meets or exceeds impact standards as defined in ASTM F2440-04.**

Construction: Pad shall have 2" thick fire retardant high impact foam bonded to 7/16" oriented strand board (OSB) backing. Vinyl shall be wrapped around backside of backer board and secured with steel staples. Vinyl shall be 14 oz per square yard with grab tensile strength 365lbs x 348lbs and tongue tear strength 92lbs x 83lbs. Vinyl shall be washable and resistant to fade, rot, mildew, and fungus.

Attachment: Wall pads available with z-clip top and bottom, z-clip top and 1" margin bottom, or 1" margin top and bottom. Wall pads can be mounted to wood, drywall, concrete, brick, etc using the appropriate fasteners supplied by others (not Jaypro).

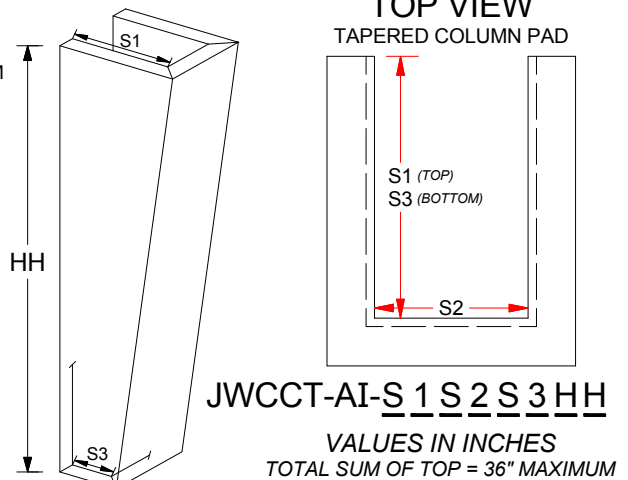
Custom wall pad sizes are available. See additional specification for flat wall pads and corner pads. Vinyl available in 14 standard colors.



QUANTITY	P/N	DESCRIPTION
_____	JWCC-AI-_____ZZ	STRAIGHT, Z-CLIP TOP & BOTTOM
_____	JWCC-AI-_____Z	STRAIGHT, Z-CLIP TOP, 1" LIP BOTTOM
_____	JWCC-AI-_____	STRAIGHT, 1" LIP TOP & BOTTOM
_____	JWCCT-AI-_____ZZ	TAPERED, Z-CLIP TOP & BOTTOM
_____	JWCCT-AI-_____Z	TAPERED, Z-CLIP TOP, 1" LIP BOTTOM
_____	JWCCT-AI-_____	TAPERED, 1" LIP TOP & BOTTOM

SPECIFY COLOR

- ROYAL BLUE PURPLE
- NAVY BLUE RED
- LIGHT BLUE MAROON
- FOREST GREEN ORANGE
- KELLY GREEN YELLOW
- BLACK TAN
- WHITE GRAY



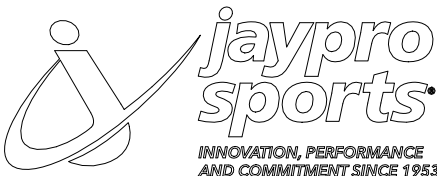
PROJECT NAME _____

PROJECT NUMBER _____

ARCHITECT _____

CONTRACTOR _____

NOTES _____



WallGuard

Fire/Impact Wall Padding

© COPYRIGHT 2015 JAYPRO SPORTS, LLC. ALL RIGHTS RESERVED THIS PRINT IS THE PROPERTY OF JAYPRO SPORTS, LLC. AND MAY NOT BE REPRODUCED WITHOUT WRITTEN PERMISSION

www.jaypro.com
(800) 243-0533
976 Hartford Turnpike
Waterford, CT 06385 USA

Sheet 1 of 1